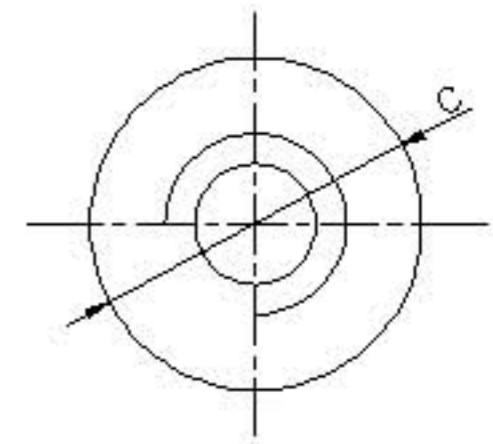
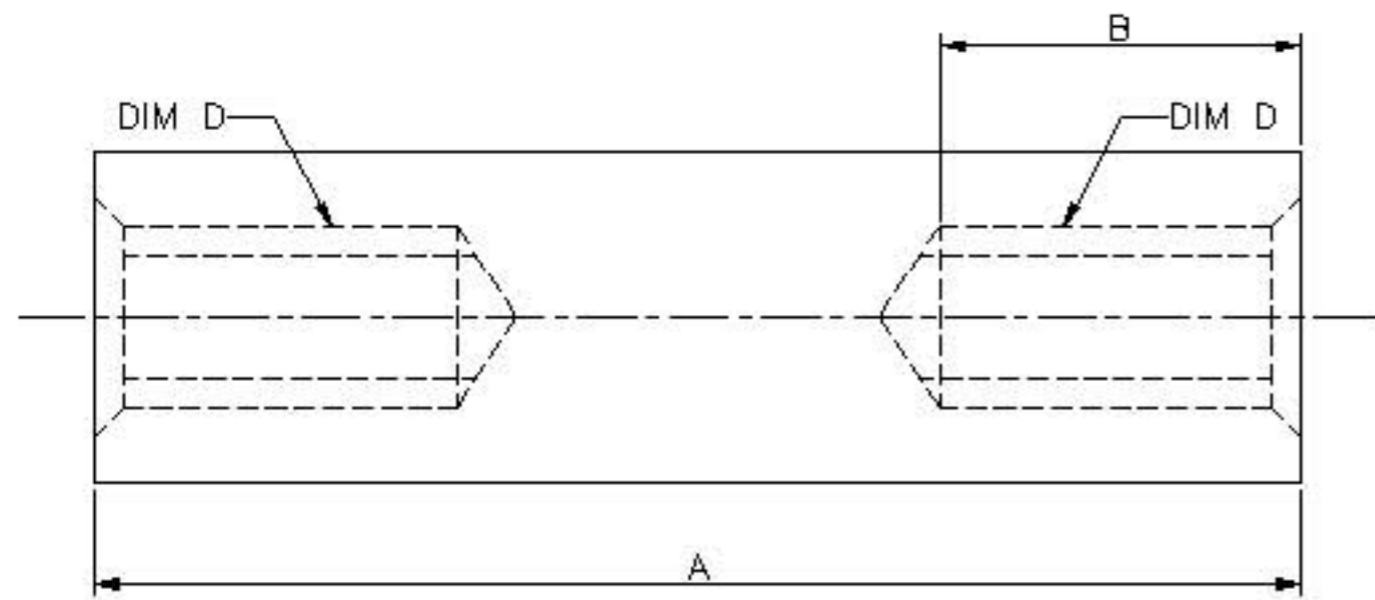


REV.	DESCRIPTION	DRAWN	CHECKED	APPROVED
A	NEW RELEASE	LJC 08/18/05'		



NOTES:

- 1.Materials: Copper alloy.
- 2:Plating: Nickel plating.
- 3:Part number code:  
H - CXXXX - XXXX -5 -03 - 2N
  - Thread type: DIM D  
03: M3.0
  - DIM C:  
5:  $\phi 5.5\text{mm}$
  - DIM B:  
0600: 6.0mm
  - DIM A:  
0600: 6.0mm  
4000: 40.0mm

GENERAL TOLERANCE		ANGLE TOLERANCE		PROJECTION		TITLE	
X,	$\pm 0.30$	X,	$\pm 2^\circ$	UNITS	mm	Screws	
.X	$\pm 0.20$	.X	$\pm 1^\circ$	SHEET SIZE	A4	SERIES	Hardwares SERIES
.XX	$\pm 0.15$	.XX	$\pm 0.5^\circ$	晨翔电子有限公司 <b>CONNFLY CONNFLY ELECTRONIC CO. LTD</b>			
DRAWING TYPE		CUSTOMER DRAWING					
SCALE	1:1	SHEET	1 OF 1				
DRAWING NO.		H-CXXXX-XXXX-5-03-2N					