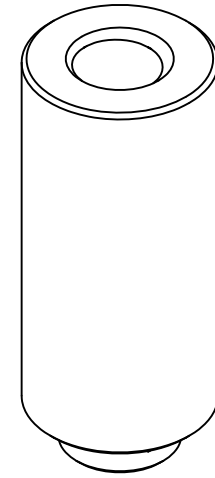



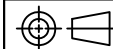
NOTES :

- 1 . Material : C3604
- 2 . The tolerance is  $\pm 0.1$  mm
- 3 . Dimension : 10.0(H)X4.0( $\phi$ )XM2.0
- 4 . Quantity Per Reel : 400 / R13"
- 5 . Plated : Tin Plated



PROPRIETARY NOTE:

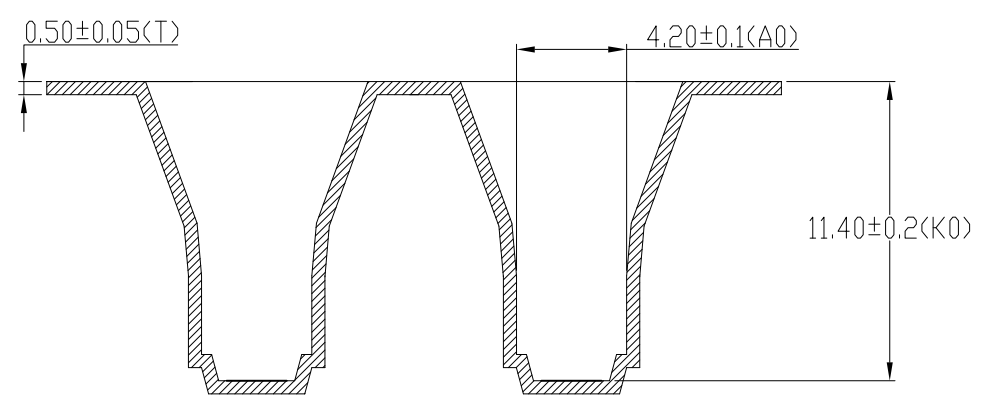
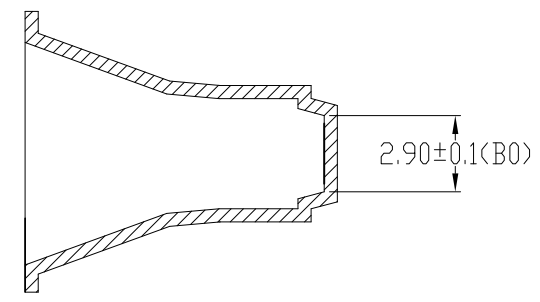
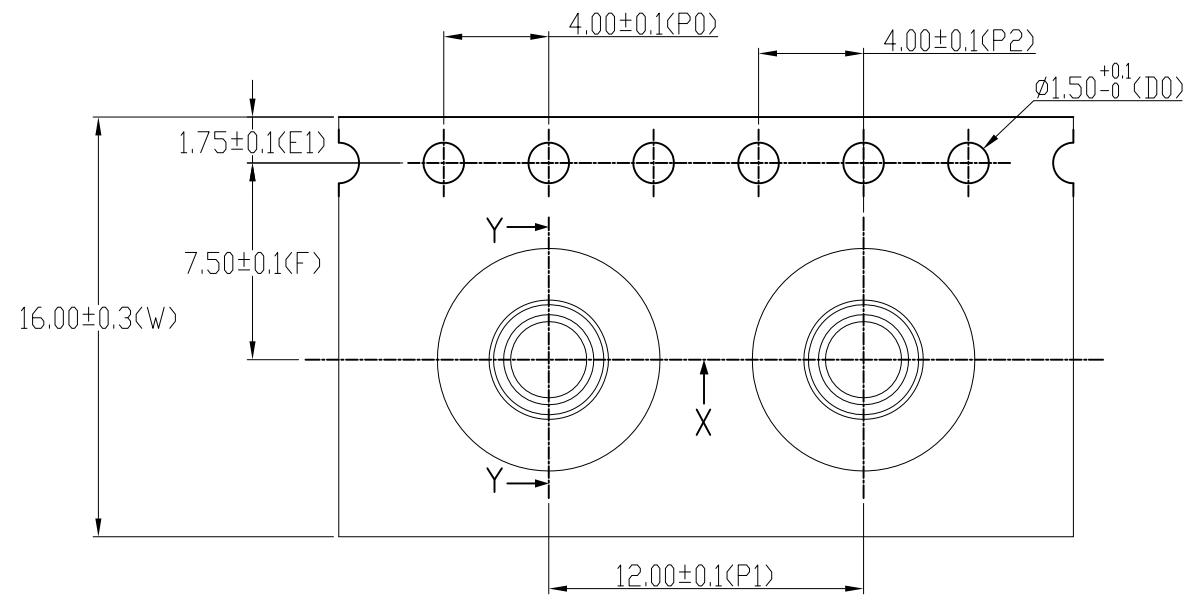
This document contains confidential information and proprietary to Rego Electronics and shall not be reproduced or disclosed to other documents or used for any purpose other than that for which was obtained without the expressed written consent of Rego Electronics.

.X $\pm 0.30$	APPROVED: Chris	 <a href="http://www.rego.com.tw">http://www.rego.com.tw</a>
.XX $\pm 0.20$	CHECKED: Andy	
.XXX $\pm 0.15$	DRAWN: Vic	TITLE: Stand Off $\phi 4.00$ x 10.90mm (H:10.0)
X* $\pm 3'$	UNITS: mm	PART NO: SO-M20H100D400
	SCALE: NONE	SHEET: 1 OF 2



Stencil Masking Examples

A	05.11.2019
REV	DATE

1. 10 sprocket hole pitch cumulative tolerance  $\pm 0.20\text{mm}$ .
2. Carrier camber not to exceed 1mm in 250mm.
3.  $A_0$  and  $B_0$  measured on a plane 0.35mm above the bottom of the pocket.
4.  $K_0$  measured from a plane on the inside bottom of the pocket to the top surface of the carrier.
5. All dimensions meet EIA-481-B requirements.
6. Material: Black Anti-Static Polystyrene.
7. Packing length per 22" reel : 16.22 Meters.(1:3)
8. Component load per 13" reel : 400 pcs.



1	07.10.1999
REV	DATE

<b>PROPRIETARY NOTE:</b> This document contains confidential information and proprietary to Rego Electronics and shall not be reproduced or disclosed to other documents or used for any purpose other than that for which was obtained without the expressed written consent of Rego Electronics.		
.X $\pm 0.30$	APPROVED: Chris	 <a href="http://www.rego.com.tw">http://www.rego.com.tw</a> TITLE: Stand Off $\phi 4.00 \times 10.90\text{mm}$ (H:10.0)
.XX $\pm 0.20$	CHECKED: Andy	
.XXX $\pm 0.15$	DRAWN: Vic	
X° $\pm 3'$		
 UNITS: mm SCALE: NONE	PART NO: SO-M20H100D400 SHEET: 2 OF 2	