

1 2 3 4 5 6 7 8 9 10

A

B

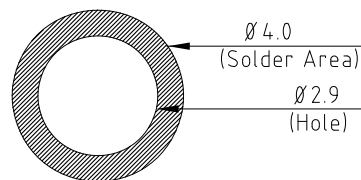
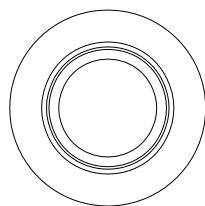
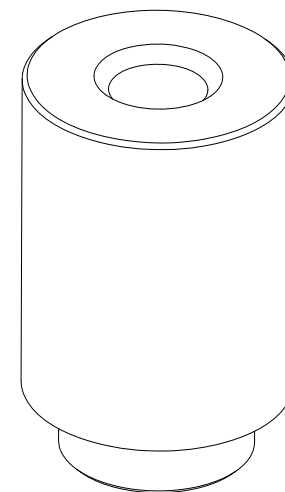
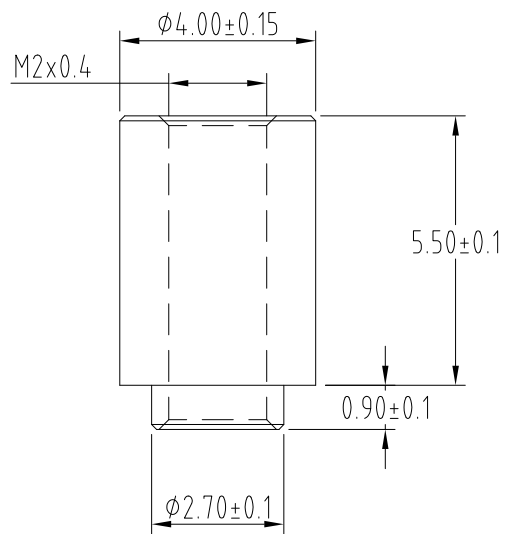
C


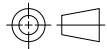
D

E

F

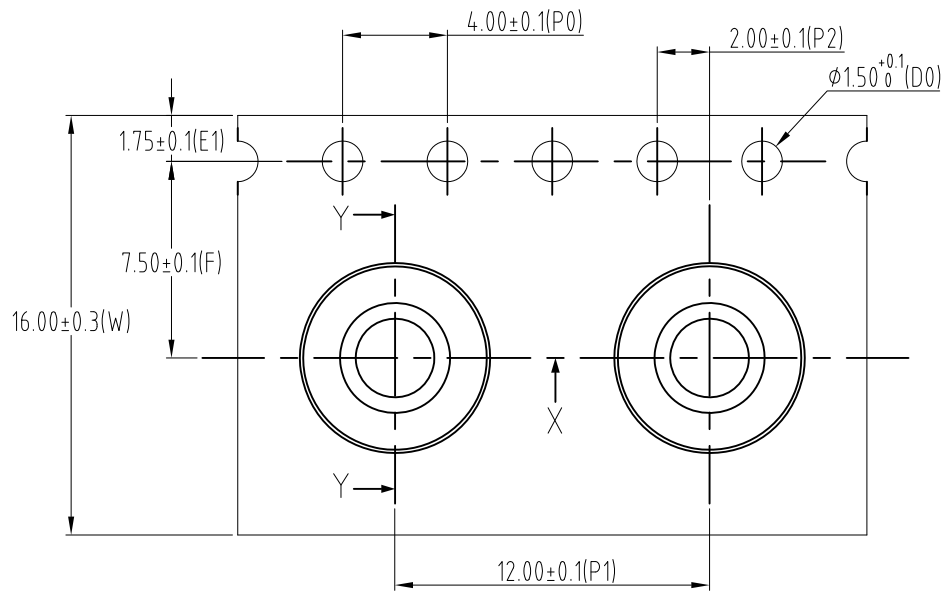
NOTE :
 1.Material: Cu
 2.Plate : Tin
 3.The surface should be clean
 4.Dimension : 5.5(H)-4.0(ϕ)-M2.0



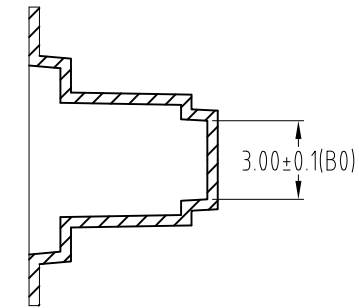
PROPRIETARY NOTE: This document contains confidential information and proprietary to Rego Electronics and shall not be reproduced or disclosed to other documents or used for any purpose other than that for which was obtained without the expressed written consent of Rego Electronics.			
.X \pm 0.30	APPROVED:	Chris	 http://www.rego.com.tw
.XX \pm 0.20	CHECKED:	Andy	
.XXX \pm 0.15	DRAWN:	Vic	
X° \pm 3'			TITLE: Stand Off $\phi 4.00 \times 6.40\text{mm}$ (H:5.5)
	UNITS:	SCALE:	PART NO: SO-M20H55D400
	mm	NONE	SHEET: 1 OF 2

A	05.11.2019
REV	DATE

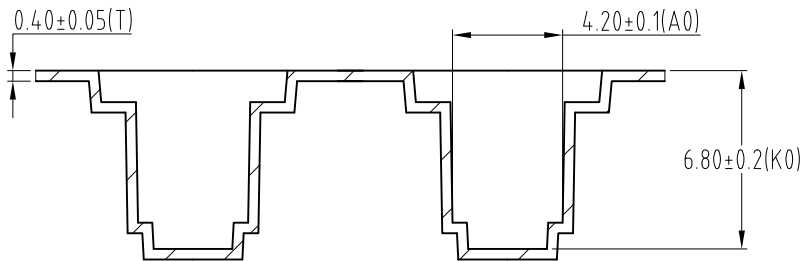
1 2 3 4 5 6 7 8 9 10



1. 10 sprocket hole pitch cumulative tolerance $\pm 0.20\text{mm}$.
2. Carrier camber not to exceed 1mm in 250mm.
3. A and B measured on a plane 0.3mm above the bottom of the pocket.
4. K measured from a plane on the inside bottom of the pocket to the top surface of the carrier.
5. All dimensions meet EIA-481-B requirements.
6. Material: Black Anti-Static Polystyrene.
7. Packing length per 22" reel : 30.6 Meters.
8. Components loaded per 13" reel : 800 pcs.




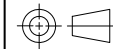
SECTION Y-Y



SECTION X-X

PROPRIETARY NOTE:

This document contains confidential information and proprietary to Rego Electronics and shall not be reproduced or disclosed to other documents or used for any purpose other than that for which was obtained without the expressed written consent of Rego Electronics.

.X ± 0.30	APPROVED: Chris	 http://www.rego.com.tw	
.XX ± 0.20	CHECKED: Andy		
.XXX ± 0.15	DRAWN: Vic		
X° ± 3'	UNITS: mm	SCALE: NONE	TITLE: Stand Off Ø4.00 x 6.40mm (H:5.5)
		PART NO: SO-M20H55D400	
		SHEET: 2 OF 2	

0	11.10.2013
REV	DATE