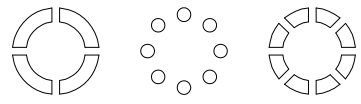
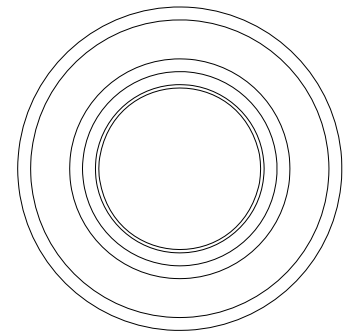
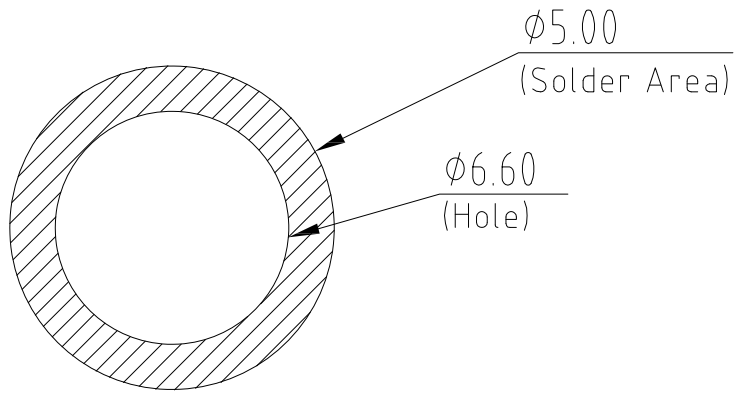
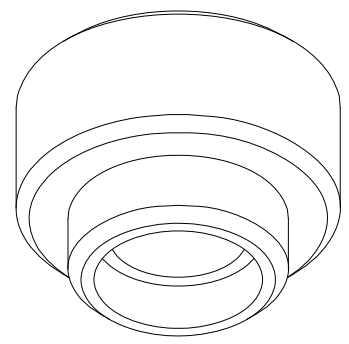
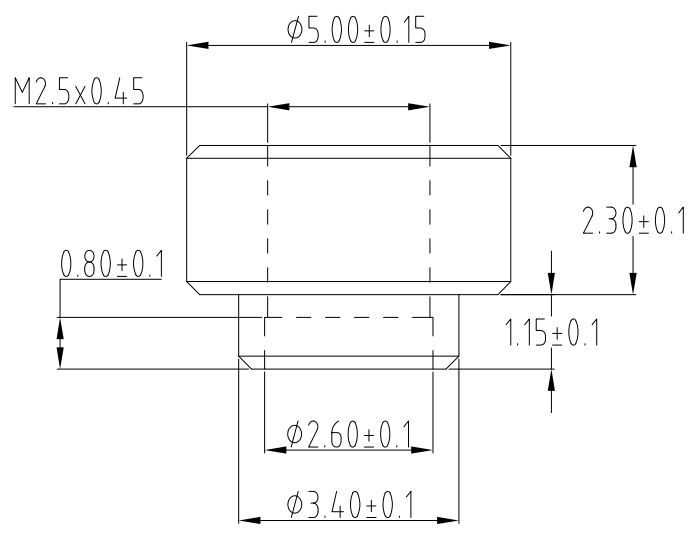

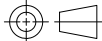


NOTE :
 1.Material: Cu
 2.Plate : Tin
 3.The surface should be clean
 4.Dimension : 2.3(H)-5.0φ)-M2.5



Stencil Masking Examples

PROPRIETARY NOTE:
 This document contains confidential information and proprietary to Rego Electronics and shall not be reproduced or disclosed to other documents or used for any purpose other than that for which was obtained without the expressed written consent of Rego Electronics.

.X ± 0.30	APPROVED: Chris	 http://www.rego.com.tw TITLE: Stand Off 05.00 x 3.45mm (H:2.3)	
.XX ± 0.20	CHECKED: Andy		
.XXX ± 0.15	DRAWN: Vic		
X° ± 3'			
	UNITS: mm	SCALE: NONE	PART NO: SO-M25H23D500
			SHEET: 1 OF 2

A	20.11.2019
REV	DATE