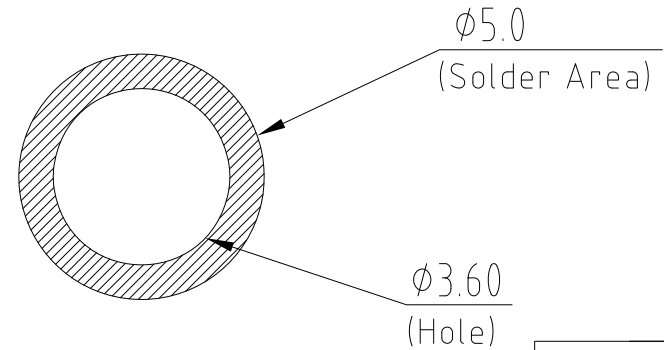
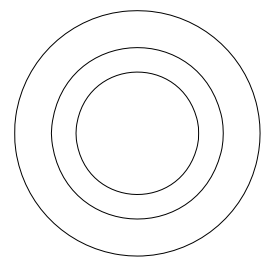
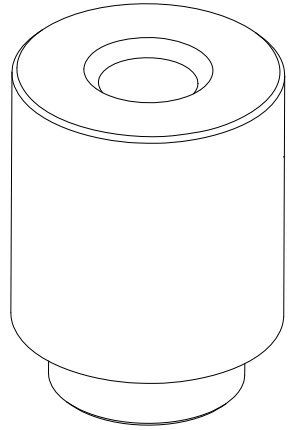
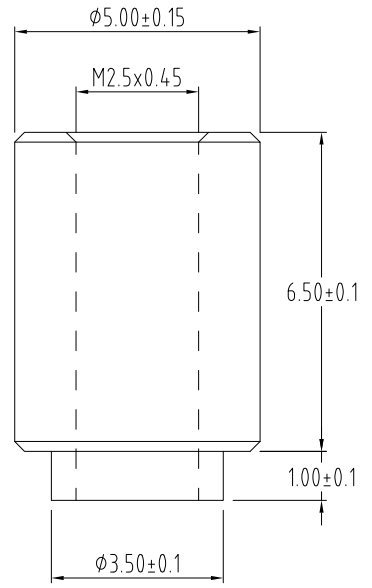

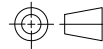


NOTE :
 1.Material: Brass
 2.Plate : Tin
 3.The surface should be clean
 4.Dimension : 6.5(H)-5.0(φ)-M2.5



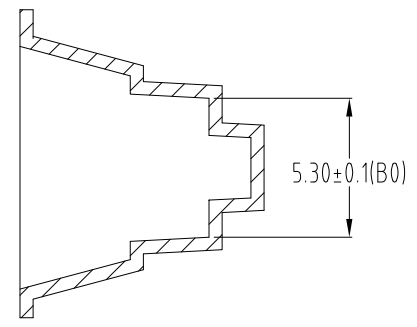
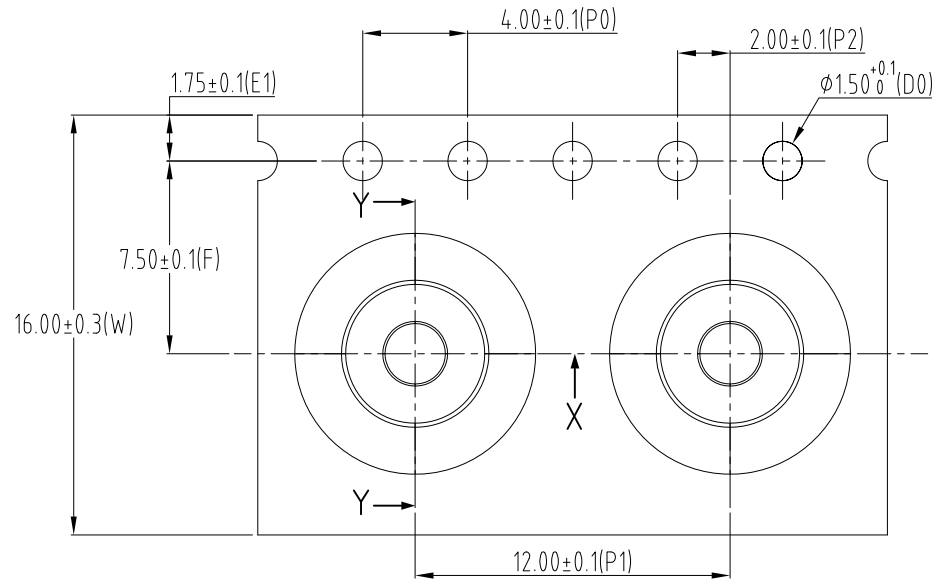
PROPRIETARY NOTE:
 This document contains confidential information and proprietary to Rego Electronics and shall not be reproduced or disclosed to other documents or used for any purpose other than that for which was obtained without the expressed written consent of Rego Electronics.

.X ± 0.30	APPROVED: Chris	 http://www.rego.com.tw TITLE: Stand Off Ø5.00 x 7.50mm (H:6.5)
.XX ± 0.20	CHECKED: Andy	
.XXX ± 0.15	DRAWN: Vic	
X° ± 3'		
	UNITS: mm	SCALE: NONE
	PART NO: SO-M25H65D500	
SHEET: 1 OF 2		

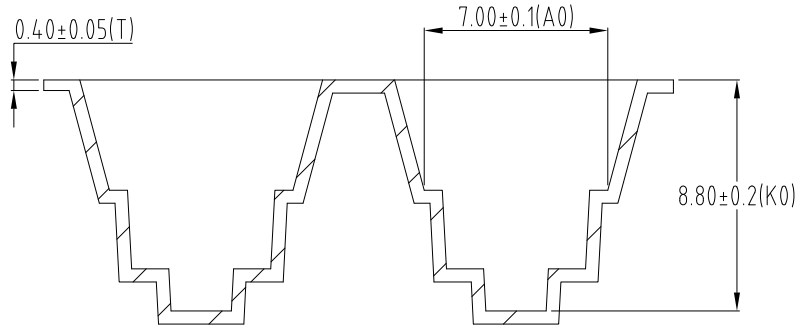
A	05.11.2019
REV	DATE

1 2 3 4 5 6 7 8 9 10


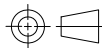
- 1. Material: PS Black - Thickness : 0.40 ± 0.05 mm.
- 2. Packing Length Per 22" Reel : 27 Meters (1:4).
- 3. Component Load Per 13" Reel : 500 Pcs.



SECTION Y-Y



SECTION X-X

PROPRIETARY NOTE: This document contains confidential information and proprietary to Rego Electronics and shall not be reproduced or disclosed to other documents or used for any purpose other than that for which was obtained without the expressed written consent of Rego Electronics.			
.X ± 0.30	APPROVED:	Chris	 http://www.rego.com.tw
.XX ± 0.20	CHECKED:	Andy	
.XXX ± 0.15	DRAWN:	Vic	
X° ± 3'	TITLE:	Stand Off $\phi 5.00 \times 7.50$ mm (H:6.5)	
 UNITS: mm SCALE: NONE	PART NO:	SO-M25H65D500	
	SHEET:	2 OF 2	

A	25.02.2011
REV	DATE

1 2 3 4 5 6 7 8 9 10