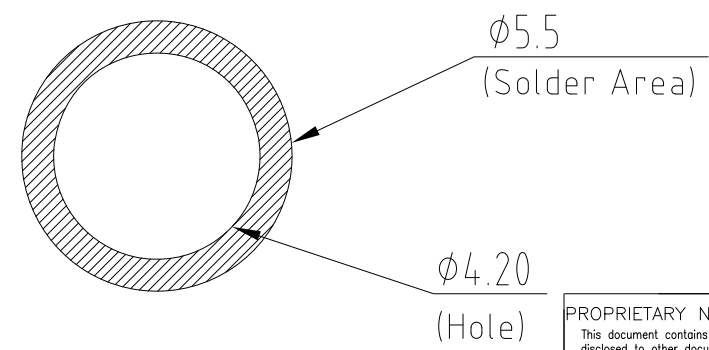
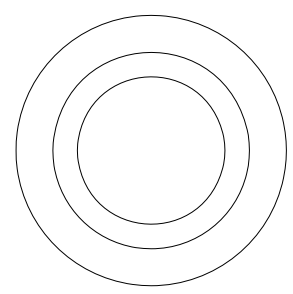
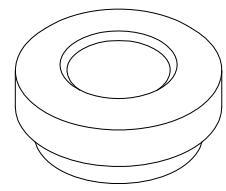
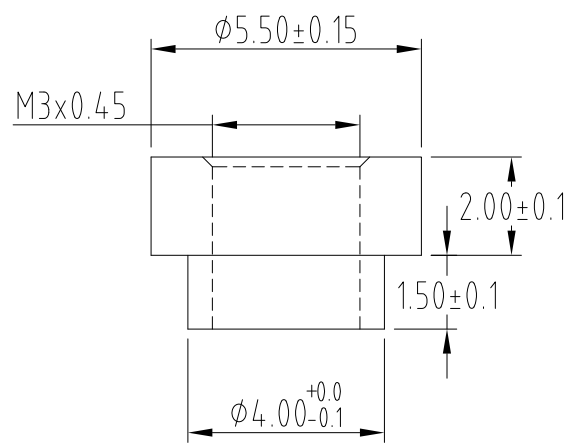

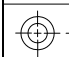
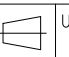


NOTE :

1. Material: Brass
2. Plate : Tin
3. The surface should be clean
4. Dimension : 2.0(H)-5.5(ϕ)-M3.0



PROPRIETARY NOTE:
This document contains confidential information and proprietary to Rego Electronics and shall not be reproduced or disclosed to other documents or used for any purpose other than that for which was obtained without the expressed written consent of Rego Electronics.

.X \pm 0.30	APPROVED: Chris	 http://www.rego.com.tw
.XX \pm 0.20	CHECKED: Andy	
.XXX \pm 0.15	DRAWN: Vic	
X° \pm 3'		
 	UNITS: mm	SCALE: NONE
PART NO: SO-M30H20D550		SHEET: 1 OF 2

A	05.11.2019
REV	DATE

1 2 3 4 5 6 7 8 9 10

A

B

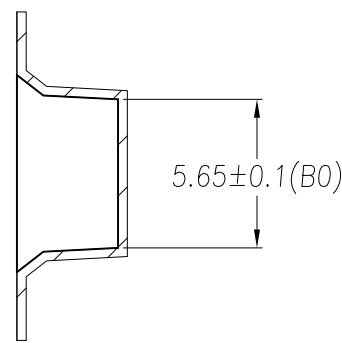
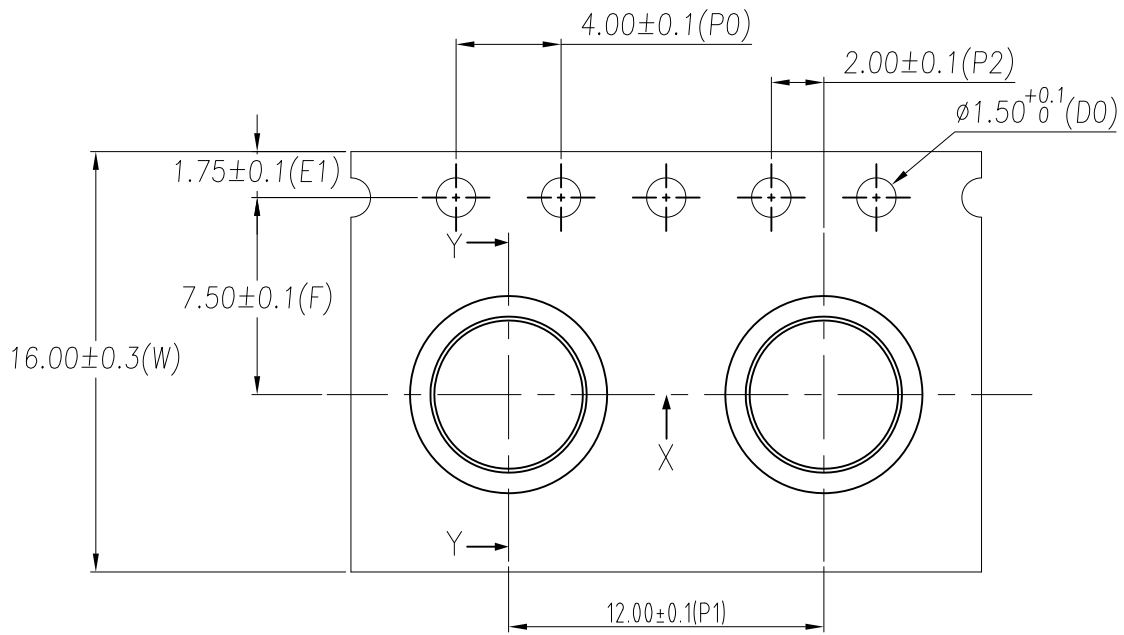
C

D

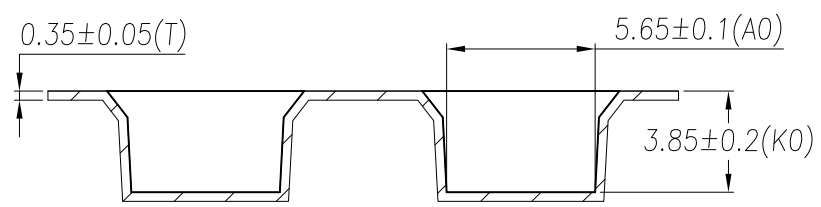
E

F

1. Part conforms to EIA-481-D standards.
2. All dimensions in millimetres unless otherwise stated.
3. Material : Conductive polystyrene.
4. Packing length for 22" reel : 49.0 Meters. (1:3)
5. Component packing to 13" reel : 1300 pcs.


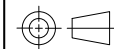


SECTION Y-Y



SECTION X-X

0	27.09.2013
REV	DATE

PROPRIETARY NOTE: This document contains confidential information and proprietary to Rego Electronics and shall not be reproduced or disclosed to other documents or used for any purpose other than that for which was obtained without the expressed written consent of Rego Electronics.			
.X ± 0.30	APPROVED:	Chris	 http://www.rego.com.tw
.XX ± 0.20	CHECKED:	Andy	
.XXX ± 0.15	DRAWN:	Vic	
X° ± 3°	UNITS:	SCALE:	TITLE: Stand Off $\phi 5.50 \times 3.50$ mm (H:2.0)
	mm	NONE	PART NO: SO-M30H20D550
			SHEET: 2 OF 2

1 2 3 4 5 6 7 8 9 10