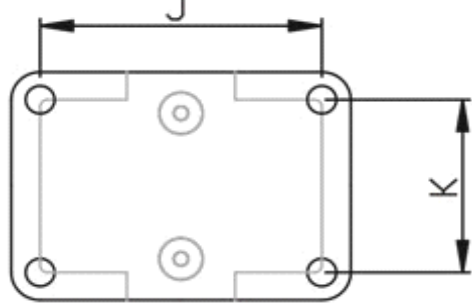


A-A SECTION



UNIT: mm

PART NO.	A	B	C	D	E	F	G	H	I	J	K	L
EB-15-001	16.5	14.0	14.9	9.0	9.9	11.4	Φ0.8	10.0	7.6	13.6	8.5	4.9
EB-15-002	16.5	14.0	14.9	9.0	9.9	11.4	Φ1.1	10.0	7.6	13.6	8.5	4.9
EB-15-003	21.0	18.5	19.4	9.0	9.8	11.4	Φ0.8	10.0	9.4	18.1	8.5	6.6
EB-15-004	21.0	18.5	19.4	9.0	9.8	11.4	Φ1.1	10.0	9.4	18.1	8.5	6.6
EB-15-005	24.1	21.7	22.5	12.8	13.6	15.2	Φ1.0	10.0	10.7	21.2	12.3	7.8
EB-15-006	24.1	21.7	22.5	12.8	13.6	15.2	Φ1.25	10.0	10.7	21.2	12.3	7.8
EB-15-007	31.7	29.3	30.1	15.3	16.1	17.8	Φ1.0	10.0	14.7	28.8	14.9	11.6
EB-15-008	31.7	29.3	30.1	15.3	16.1	17.8	Φ1.25	10.0	14.7	28.8	14.9	11.6

REMARK:

REV.

REVISIONS REC.

DATE:

- 1.
- 2.
- 3.

- 1.
- 2.
- 3.

DRAWN BY

WINNIE XIAO

TOLERANCES

X.X ±0.3
X.XX ±0.2
PIN PITCH: ±0.2
WALL THICKNESS: ±0.15

ANGLE:

±1°

MODEL NAME:

EB-15 SERIES BASE(NO PIN)

CHECKED BY

ANSON ZHAN

UNIT:

MM

BOBBIN MATERIAL:

PET/GF

UL REC.

UL 94V-0

APPROVED BY

LOUIS LIN

SCALE:

2:1

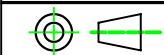
PIN MATERIAL:

REV.

0



天长市富安电子有限公司
TIAN CHANG FUAN ELECTRONIC CO., LTD
TEL: +86-550-7814888 FAX: +86-550-7831133
WEBSITE: WWW.FUANTRONICS.COM



DRAWING NO:

BASE-022

DATE:

2010. 11. 28