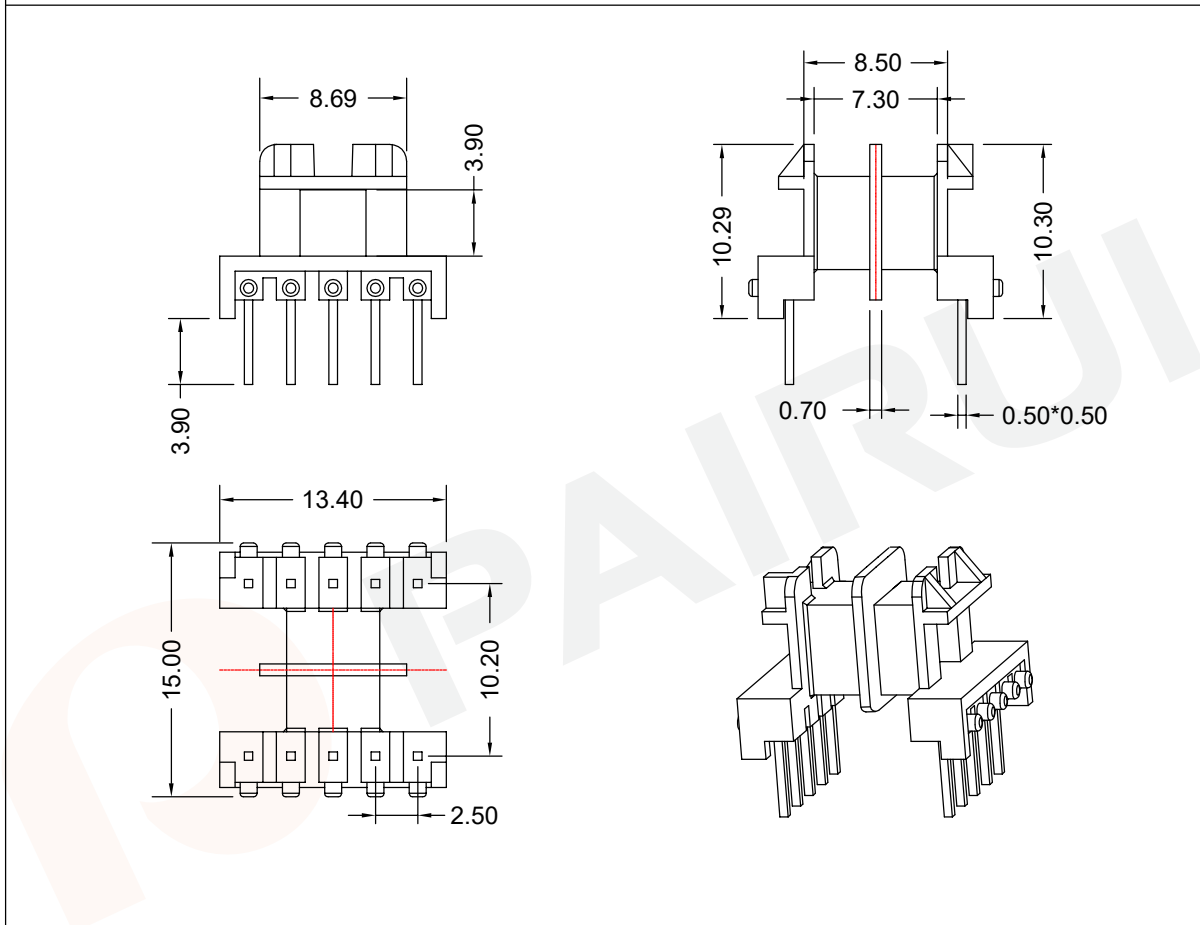


COIL FORMER

General data 10-pins EF12.6/7/3.5 coil former

PARAMETER	SPECIFICATION
Coil former material	phenolformaldehyde (PF), glass-reinforced, flame retardant in accordance with "UL 94V-0"; UL file number E59481
Pin material	copper-tin alloy (CuSn), tin (Sn) plated
Maximum operating temperature	180°C, "IEC 60085", class H
Resistance to soldering heat	"IEC 60068-2-20", Part 2, Test Tb, method 1B, 350 °C, 3.5 s
Soldeerability	"IEC 60068-2-20", Part 2, Test Ta, method 1,235°C,2s



Winding data and area product for 10-pins EF12.6/7/3.5 coil former

NUMBER OF SECTIONS	WINDING AREA (mm ²)	MINIMUM WINDING WIDTH (mm)	AVERAGE LENGTH OF TURN (mm)	AREA PRODUCT Ae x Aw (mm ⁴)	TYPE NUMBER
1	11	2*3.3	27	140	EF-1202-2S-10P

--	--	--	--	--	--

Tolerances unless otherwise specified: 0<L≤4±0.10 4<L≤16±0.20 16<L≤45±0.30 45≤L±0.40 Pin Dim:±0.05 Thickness:±0.20 Pin Pitch:±0.20	Dimensions: (mm)	REMARK	
		Mould No.: EF1202 Code No.: FAY01091	Bobbin material: T378J Available for Fuan core: EF12.6/7/3.5 Material Number: A41120200100
Fuan Electronics TEL :0086-514-87693589 EML :sales@fuantronics.net WEB:www.fuantronics.net	Make: P.Xiao	Document/Rev: 00	
	Checked: Beson. zhan Approved: Anson. zhan	Date of Recognition: Oct./17/2019	