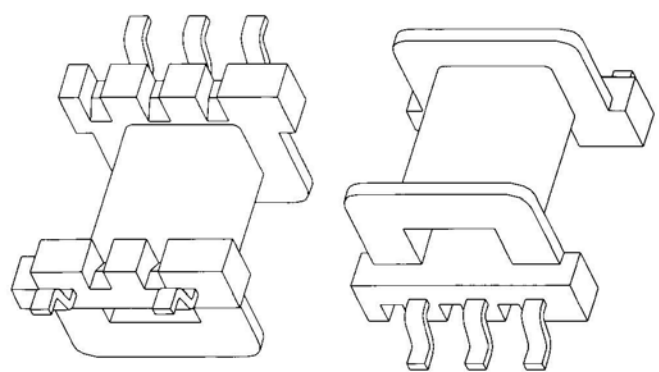
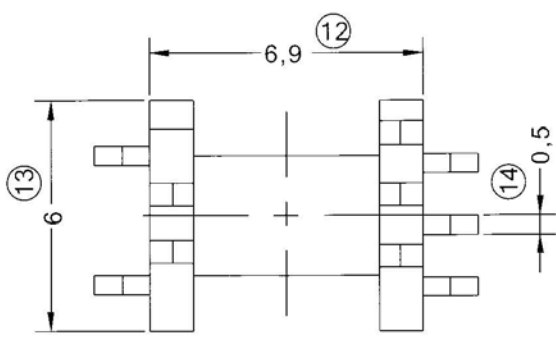


A--A SECTION



REMARK:		REV.	REVISIONS REC.	DATE:
1.		1.		
2.		2.		
3.		3.		
DRAWN BY	WINNIE XIAO	TOLERANCES		ANGLE:
CHECKED BY	ANSON ZHAN	X.X ±0.3		±1°
APPROVED BY	LOUIS LIN	X.XX ±0.2		MODEL NAME:
		PIN PITCH: ±0.2		EFD-6.5 (2+3PIN)-1S
		WALL THICKNESS: ±0.15		BOBBIN MATERIAL:
				PHENOLIC
				UL REC.
				UL 94V-0
天 长 市 富 安 电 子 有 限 公 司		SCALE:	PIN MATERIAL:	REV.
TIAN CHANG FUAN ELECTRONIC CO.,LTD		2:1	C5191	0
TEL:+86-550-7814888 FAX:+86-550-7831133			DRAWING NO:	DATE:
WEBSITE:WWW.FUANTRONICS.COM			SMD-EFD0601	2010.11.22

