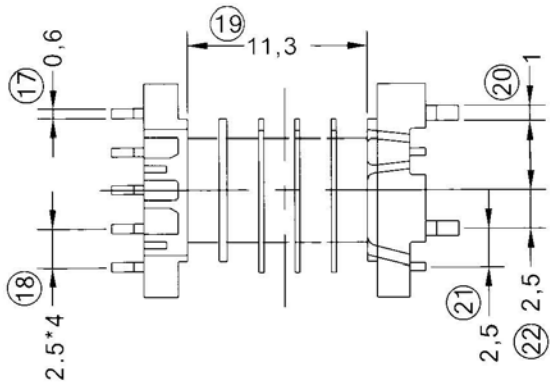
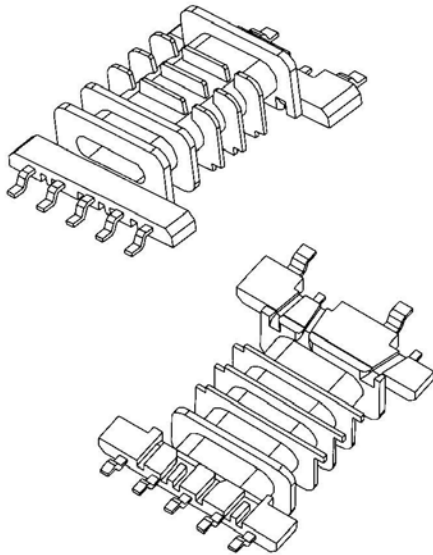
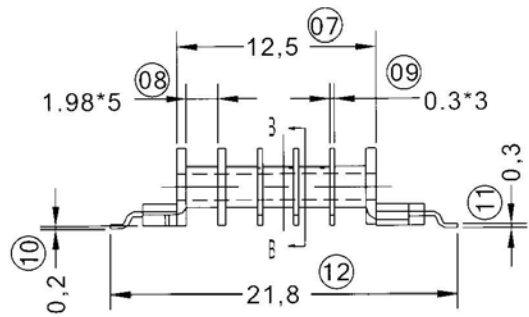


B-B



REMARK:

1.	
2.	
3.	

REV.

REVISIONS REC.

DATE:

DRAWN BY	WINNIE XIAO	TOLERANCES X.X ±0.3 X.XX ±0.2 PIN PITCH: ±0.2 WALL THICKNESS: ±0.15
CHECKED BY	ANSON ZHAN	
APPROVED BY	LOUIS LIN	

ANGLE:	±1°	MODEL NAME:	EFD-14 (2+5PIN)-5S
UNIT:	MM	BOBBIN MATERIAL:	LCP-E4008
SCALE:	2:1	PIN MATERIAL:	C5191
		DRAWING NO:	SMD-EFD1401
		UL REC.	UL 94V-0
		REV.	0
		DATE:	2010. 11. 22



天 长 市 富 安 电 子 有 限 公 司  
TIAN CHANG FUAN ELECTRONIC CO.,LTD  
TEL:+86-550-7814888FAX:+86-550-7831133  
WEBSITE:WWW.FUANTRONICS.COM