
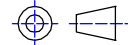


Code No.: FAY01216

REMARK:			REV.	REVISIONS REC.	DATE:
1.			1.		
2.			2.		
DRAWN BY	Yuing.yu	TOLERANCES 0<L<4 ±0.10 4<L<16 ±0.20 16<L<63 ±0.30 Pin pitch: ±0.2 Wall thickness: ±0.15	ANGLE:	MODEL NAME:	
CHECKED BY	Yong.zhan		±1°	ER28/34(6+6P)-1S	
APPROVED BY	Xueliang.zhan		UNIT:	BOBBIN MATERIAL:	UL REC.
			MM	PHENLOIC	UL 94V-0
			SCALE:	PIN MATERIAL:	REV.
			2:1	CP WIRE	0
 天长市富安电子有限公司 TIAN CHANG FUAN ELECTRONIC CO.,LTD TEL:+86-550-7814888 FAX:+86-550-7831133 Http: www.fuantronics.net				DRAWING NO:	DATE:
				ER-2817-1	2021.08.18