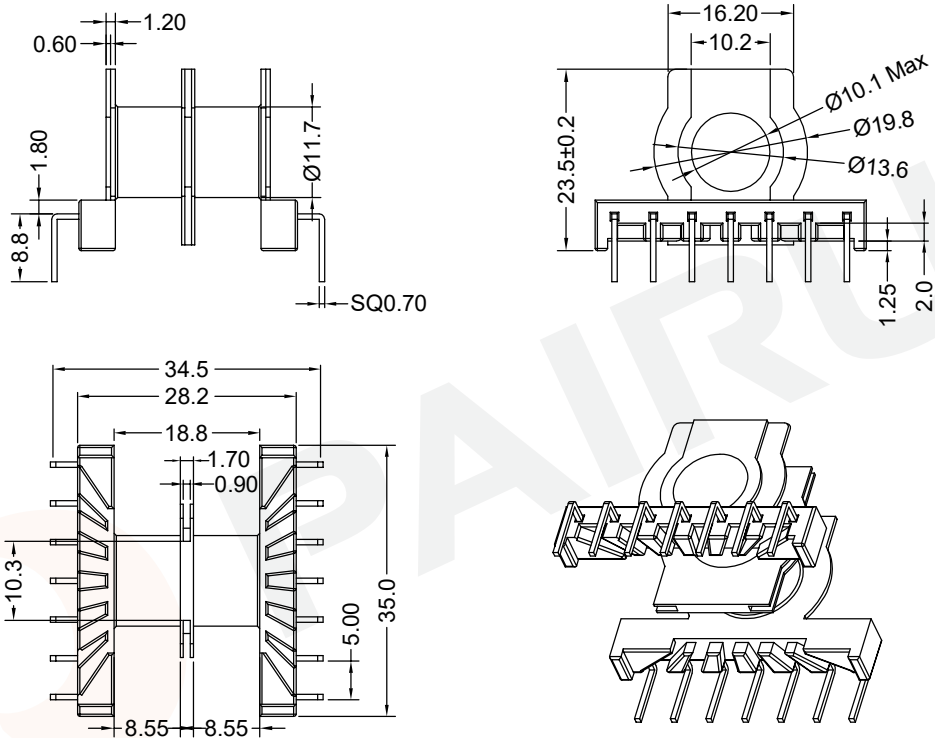


COIL FORMER

General data 14-pins ETD29/16/10 coil former

| PARAMETER | SPECIFICATION |
|-------------------------------|---|
| Coil former material | phenolformaldehyde (PF), glass-reinforced, flame retardant in accordance with "UL 94V-0"; UL file number E59481 |
| Pin material | copper-tin alloy (CuSn), tin (Sn) plated |
| Maximum operating temperature | 180°C, "IEC 60085", class H |
| Resistance to soldering heat | "IEC 60068-2-20", Part 2, Test Tb, method 1B, 350 °C, 3.5 s |
| Soldeerability | "IEC 60068-2-20", Part 2, Test Ta, method 1 |



Winding data and area product for 14-pins ETD29/16/10 coil former

| NUMBER OF SECTIONS | WINDING AREA (mm ²) | MINIMUM WINDING WIDTH (mm) | AVERAGE LENGTH OF TURN (mm) | AREA PRODUCT Ae x Aw (mm ⁴) | TYPE NUMBER |
|--------------------|---------------------------------|----------------------------|-----------------------------|---|-----------------|
| 1 | 70 | 2*8.55 | 49 | 5340 | ETD-2904-2S-14P |

Tolerances unless otherwise specified:
 0<L≤4±0.10 4<L≤16±0.20
 16<L≤45±0.30 45≤L±0.40
 Pin Dim:±0.05 Thickness:±0.20 Pin Pitch:±0.20

Dimensions:
(mm)



REMARK

Mould No.: ETD2904

Bobbin material: T378J

Code No.: FAY01091

Available for Fuan core: ETD29/16/10



Fuan Electronics

TEL :0086-514-87693589
 EML :sales@fuantronics.net
 WEB:www.fuantronics.net

Make: P.Xiao

Material Number: A49290400200

Checked: Beson. zhan

Document/Rev: 00

Approved: Anson. zhan

Date of Recognition: Sep./09/2019