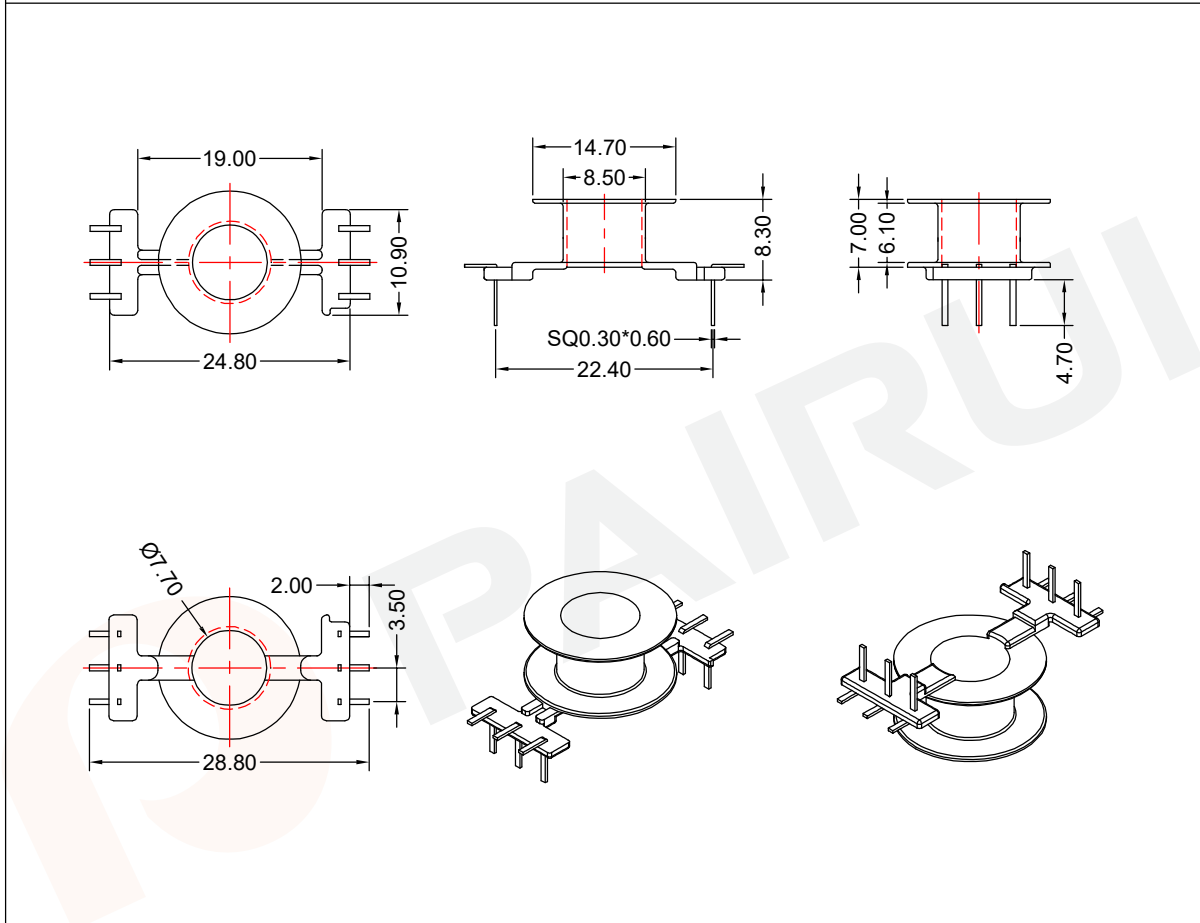


COIL FORMER

General data 6-pins POT18/11 coil former

PARAMETER	SPECIFICATION
Coil former material	polyamid (PA66), glass reinforced, flame retardant in accordance with "UL 94HB"; UL file number E41938
Pin material	copper-tin alloy (CuSn), tin (Sn) plated
Maximum operating temperature	130°C, "IEC 60085", class B
Resistance to soldering heat	"IEC 60068-2-20", Part 2, Test Tb, method 1B, 350 °C, 3.5 s
Soldeerability	"IEC 60068-2-20", Part 2, Test Ta, method 1



Winding data and area product for 6-pins POT18/11 coil former

NUMBER OF SECTIONS	WINDING AREA (mm ²)	MINIMUM WINDING WIDTH (mm)	AVERAGE LENGTH OF TURN (mm)	AREA PRODUCT Ae x Aw (mm ⁴)	TYPE NUMBER
1	18	6.10	37	775	POT-1801-1S-6P

--	--	--	--	--	--

Tolerances unless otherwise specified: 0<L≤4±0.10 4<L≤16±0.20 16<L≤45±0.30 45≤L±0.40 Pin Dim:±0.05 Thickness:±0.20 Pin Pitch:±0.20	Dimensions: (mm)	REMARK			
		Mould No.: POT1801 Code No.: FAY01091	Bobbin material: PA66 Available for Fuan core: POT18/11 Material Number: A4C180100100		
PAIRUI Fuan Electronics TEL :0086-514-87693589 EML :sales@fuantronics.net WEB:www.fuantronics.net	Make: P.Xiao	Document/Rev: 00			
	Checked: Beson. zhan	Date of Recognition: Oct./23/2019			
	Approved: Anson. zhan				