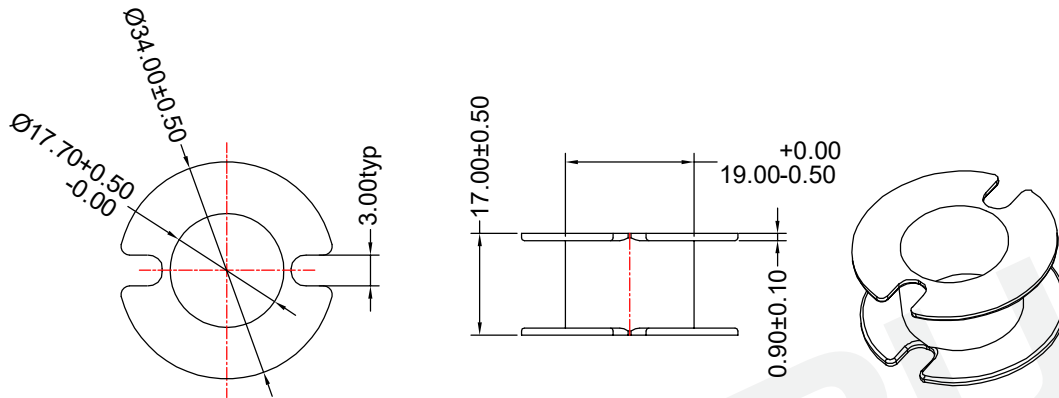


COIL FORMER  
General data GU42/29 coil former

| PARAMETER                     | SPECIFICATION  |
|-------------------------------|--|
| Coil former material          | polyamid (PA66), glass reinforced, flame retardant in accordance with "UL 94HB"; UL file number E41938 |
| Maximum operating temperature | 180°C, "IEC 60085", class H  |
| Resistance to soldering heat  | "IEC 60068-2-20", Part 2, Test Tb, method 1B, 350 °C, 3.5 s  |
| Soldeerability                | "IEC 60068-2-20", Part 2, Test Ta, method 1  |

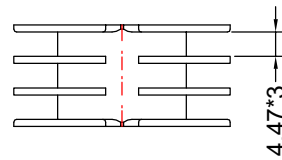
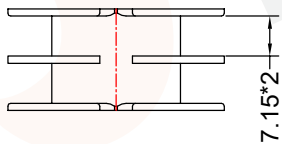


Type Number: GU-4229-1-2S-0P

Type Number: GU-4229-2-3S-0P

Material Number: A4K422910060

Material Number: A4K422920060

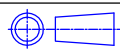


Winding data and area product for GU42/29 coil former

| NUMBER OF SECTIONS | WINDING AREA (mm <sup>2</sup> ) | MINIMUM WINDING WIDTH (mm) | AVERAGE LENGTH OF TURN (mm) | AREA PRODUCT Ae x Aw (mm <sup>4</sup> ) | TYPE NUMBER   |
|--------------------|---------------------------------|----------------------------|-----------------------------|---|---------------|
| 1                  | 114                             | 15.20                      | 83                          | 30210                                   | GU-4229-1S-0P |

Tolerances unless otherwise specified:  
0<L≤4±0.10 4<L≤16±0.20  
16<L≤45±0.30 45≤L±0.40  
Pin Dim:±0.05 Thickness:±0.20 Pin Pitch:±0.20

Dimensions:  
(mm)



REMARK

Mould No.:

Bobbin material: PA66

Code No.: FAY01042

Available for Fuan core: GU42/29



Fuan Electronics

TEL :0086-514-87693589  
EML :sales@fuantronics.net  
WEB:www.fuantronics.net

Make: P.Xiao

Material Number: A4K422900060

Checked: Beson. zhan

Document/Rev: 00

Approved: Anson. zhan

Date of Recognition: Apr./13/2020