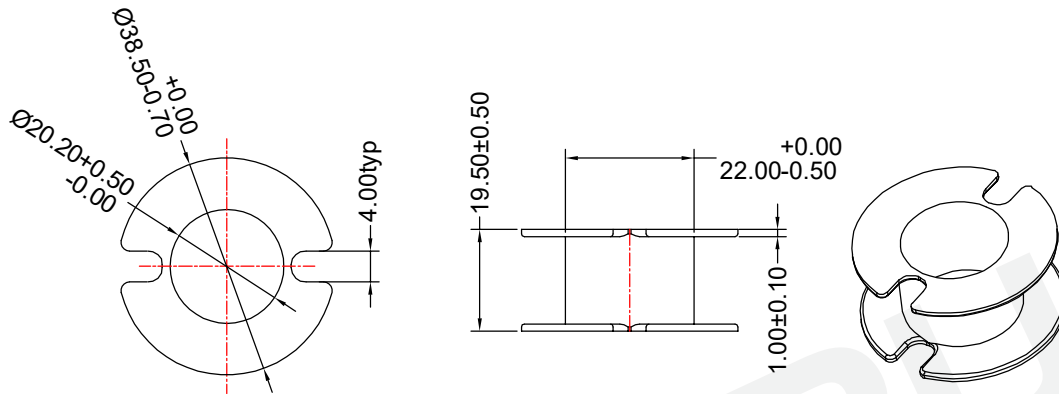


COIL FORMER
General data GU48/30 coil former

| PARAMETER | SPECIFICATION |
|-------------------------------|--|
| Coil former material | polyamid (PA66), glass reinforced, flame retardant in accordance with "UL 94HB"; UL file number E41938 |
| Maximum operating temperature | 180°C, "IEC 60085", class H |
| Resistance to soldering heat | "IEC 60068-2-20", Part 2, Test Tb, method 1B, 350 °C, 3.5 s |
| Soldeerability | "IEC 60068-2-20", Part 2, Test Ta, method 1 |

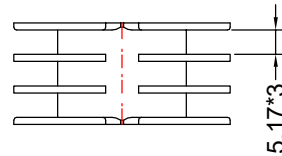
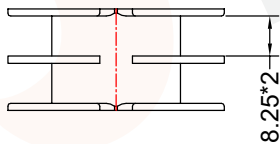


Type Number: GU-4830-1-2S-0P

Type Number: GU-4830-2-3S-0P

Material Number: A4K483010060

Material Number: A4K483020060

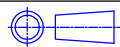


Winding data and area product for GU48/30 coil former

| NUMBER OF SECTIONS | WINDING AREA (mm ²) | MINIMUM WINDING WIDTH (mm) | AVERAGE LENGTH OF TURN (mm) | AREA PRODUCT Ae x Aw (mm ⁴) | TYPE NUMBER |
|--------------------|---------------------------------|----------------------------|-----------------------------|---|---------------|
| 1 | 144 | 17.50 | 95 | 45045 | GU-4830-1S-0P |

Tolerances unless otherwise specified:
0<L≤4±0.10 4<L≤16±0.20
16<L≤45±0.30 45≤L±0.40
Pin Dim:±0.05 Thickness:±0.20 Pin Pitch:±0.20

Dimensions:
(mm)



REMARK

Mould No.:

Bobbin material: PA66

Code No.: FAY01042

Available for Fuan core: GU48/30



Fuan Electronics

TEL :0086-514-87693589
EML :sales@fuantronics.net
WEB:www.fuantronics.net

Make: P.Xiao

Material Number: A4K483000060

Checked: Beson. zhan

Document/Rev: 00

Approved: Anson. zhan

Date of Recognition: Apr./13/2020