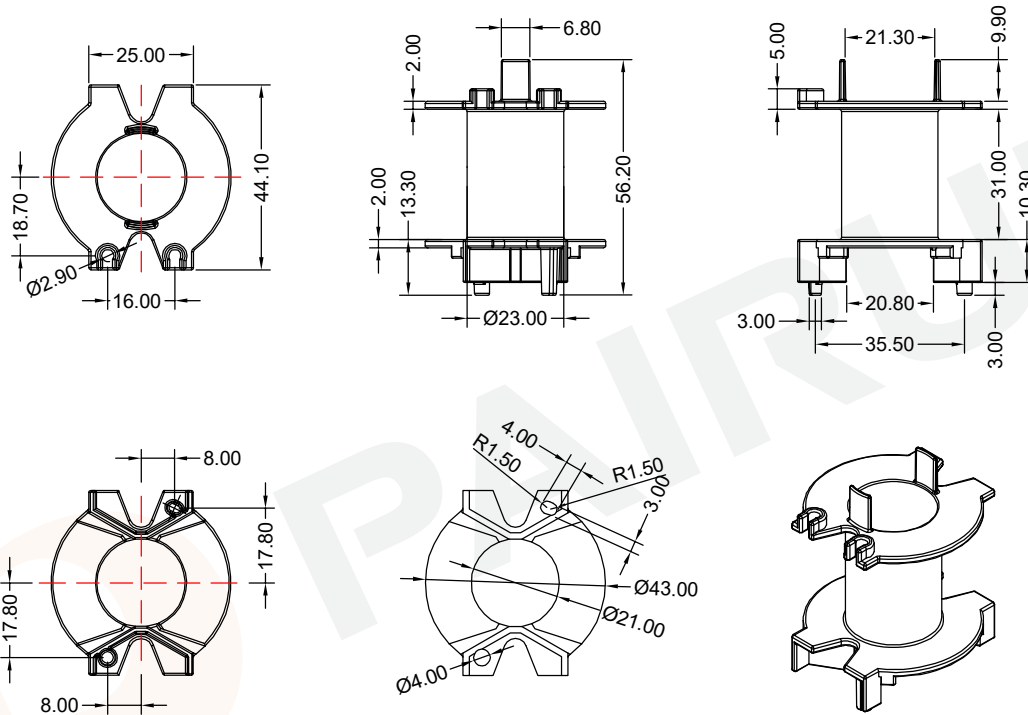


COIL FORMER  
General data PQ50/50 coil former

| PARAMETER                     | SPECIFICATION  |
|-------------------------------|--|
| Coil former material          | Polyethylene terephthalate (PET), glass-reinforced, flame retardant in accordance with "UL 94V-0"; UL file number E41938 |
| Pin material                  |  |
| Maximum operating temperature | 155°C, "IEC 60085", class F  |
| Resistance to soldering heat  | "IEC 60068-2-20", Part 2, Test Tb, method 1B, 350 °C, 3.5 s  |
| Soldeerability                | "IEC 60068-2-20", Part 2, Test Ta, method 1  |



Winding data and area product for PQ50/50 coil former

| NUMBER OF SECTIONS | WINDING AREA (mm <sup>2</sup> ) | MINIMUM WINDING WIDTH (mm) | AVERAGE LENGTH OF TURN (mm) | AREA PRODUCT Ae x Aw (mm <sup>4</sup> ) | TYPE NUMBER     |
|--------------------|---------------------------------|----------------------------|-----------------------------|---|-----------------|
| 1                  | 310                             | 31.00                      | 103                         | 99200                                   | PQ-5050-4-1S-0P |

Tolerances unless otherwise specified:  
 $0 < L \leq 4 \pm 0.10$     $4 < L \leq 16 \pm 0.20$   
 $16 < L \leq 45 \pm 0.30$     $45 \leq L \pm 0.40$   
 Pin Dim:  $\pm 0.05$    Thickness:  $\pm 0.20$    Pin Pitch:  $\pm 0.20$

Dimensions:  
(mm)



REMARK

Mould No.: PQ5050-4

Bobbin material: FR530

Code No.: FAY01091

Available for Fuan core: PQ50/50



Fuan Electronics

TEL :0086-514-87693589  
 EML :sales@fuantronics.net  
 WEB:www.fuantronics.net

Make: P.Xiao

Material Number: A42505040100

Checked: Beson. zhan

Document/Rev: 00

Approved: Anson. zhan

Date of Recognition: Oct./09/2019