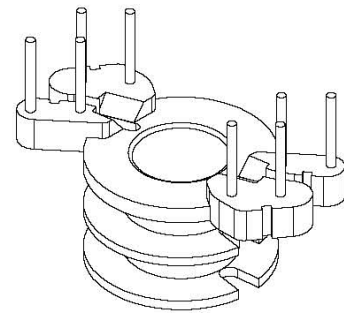
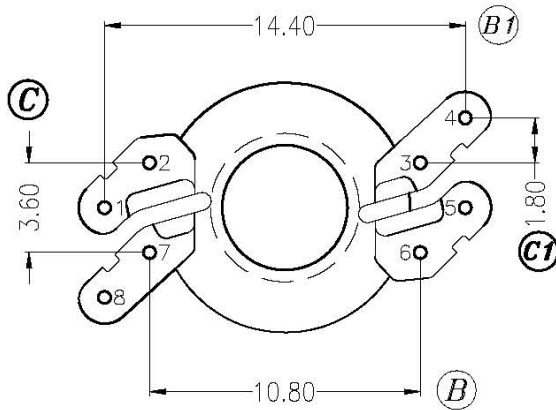
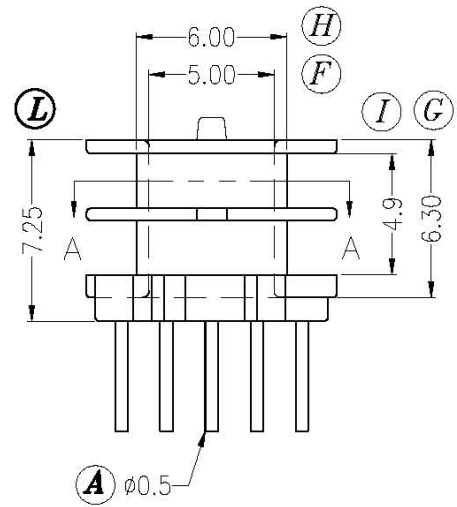
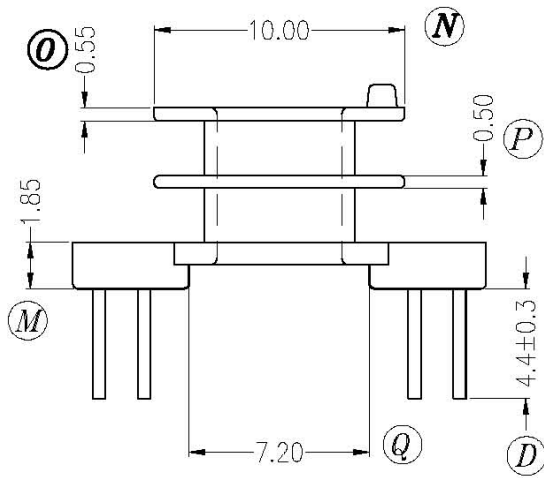


SEC A-A



REMARK:		REV.	REVISIONS REC.	DATE:
1.		1.		
2.		2.		
3.		3.		
DRAWN BY	WINNIE XIAO	TOLERANCES		ANGLE: $\pm 1^\circ$
CHECKED BY	ANSON ZHAN	X.X ± 0.3		MODEL NAME: RM-5 (4+4PIN)-2S
APPROVED BY	LOUIS LIN	X.XX ± 0.2		UNIT: MM
		PIN PITCH: ± 0.2		BOBBIN MATERIAL: PHENOLIC
		WALL THICKNESS: ± 0.15		UL REC. UL 94V-0
天长市富安电子有限公司 TIAN CHANG FUAN ELECTRONIC CO.,LTD TEL:+86-550-7814888 FAX:+86-550-7831133 WEBSITE:WWW.FUANTRONICS.COM		SCALE: 2:1	PIN MATERIAL: CP WIRE	REV. 0
			DRAWING NO: RM-0502-1	DATE: 2010. 10. 15