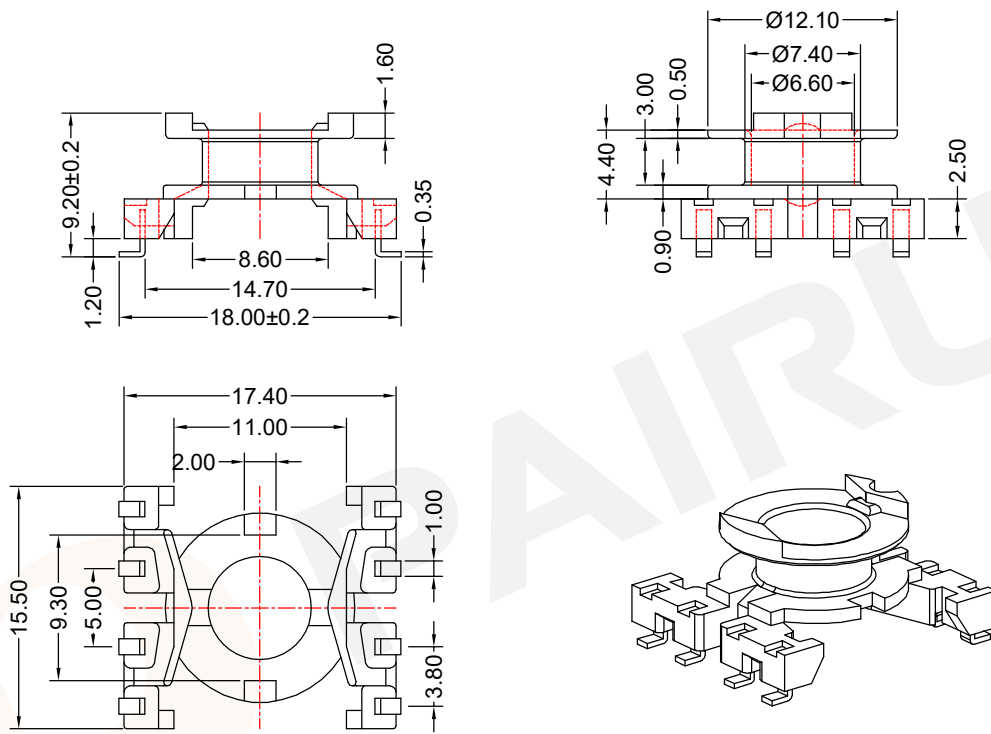


COIL FORMER  
General data 8-pins RM6 coil former

PARAMETER	SPECIFICATION
Coil former material	phenolformaldehyde (PF), glass-reinforced, flame retardant in accordance with "UL 94V-0"; UL file number E41429
Pin material	copper-tin alloy (CuSn), tin (Sn) plated
Maximum operating temperature	180°C, "IEC 60085", class H
Resistance to soldering heat	"IEC 60068-2-20", Part 2, Test Tb, method 1B, 350 °C, 3.5 s
Soldeerability	"IEC 60068-2-20", Part 2, Test Ta, method 1,235°C,2s

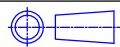


Winding data and area product for 8-pins RM6 coil former

NUMBER OF SECTIONS	WINDING AREA (mm <sup>2</sup> )	MINIMUM WINDING WIDTH (mm)	AVERAGE LENGTH OF TURN (mm)	AREA PRODUCT Ae x Aw (mm <sup>4</sup> )	TYPE NUMBER
1	7	3.00	31	245	SMD-RM-0601-1S-8P

Tolerances unless otherwise specified:  
 $0 < L \leq 4 \pm 0.10$     $4 < L \leq 16 \pm 0.20$   
 $16 < L \leq 45 \pm 0.30$     $45 \leq L \pm 0.40$   
 Pin Dim:  $\pm 0.05$    Thickness:  $\pm 0.20$    Pin Pitch:  $\pm 0.20$

Dimensions:  
(mm)



REMARK

Mould No.:  
Code No.: FAY01019

Bobbin material: PM9630

Available for Fuan core: RM6



Fuan Electronics

TEL :0086-514-87693589  
 EML :sales@fuantronics.net  
 WEB:www.fuantronics.net

Make: P.Xiao

Checked: Beson. zhan

Approved: Anson. zhan

Material Number: A4Q111010008

Document/Rev: 00

Date of Recognition: Dec./17/2019