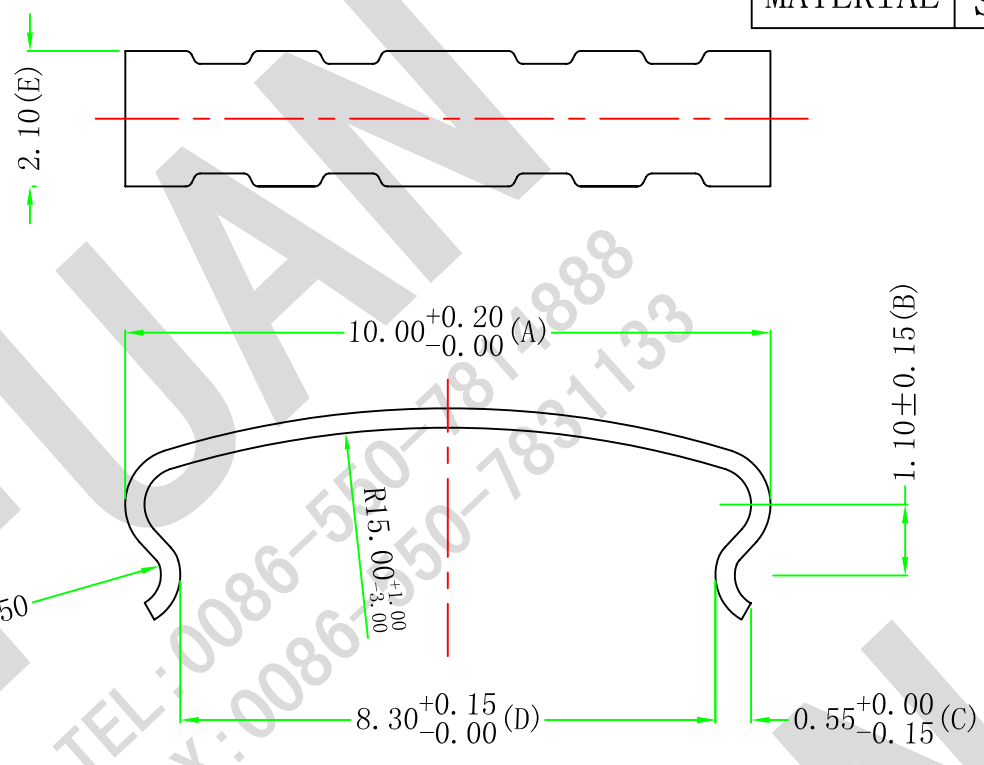
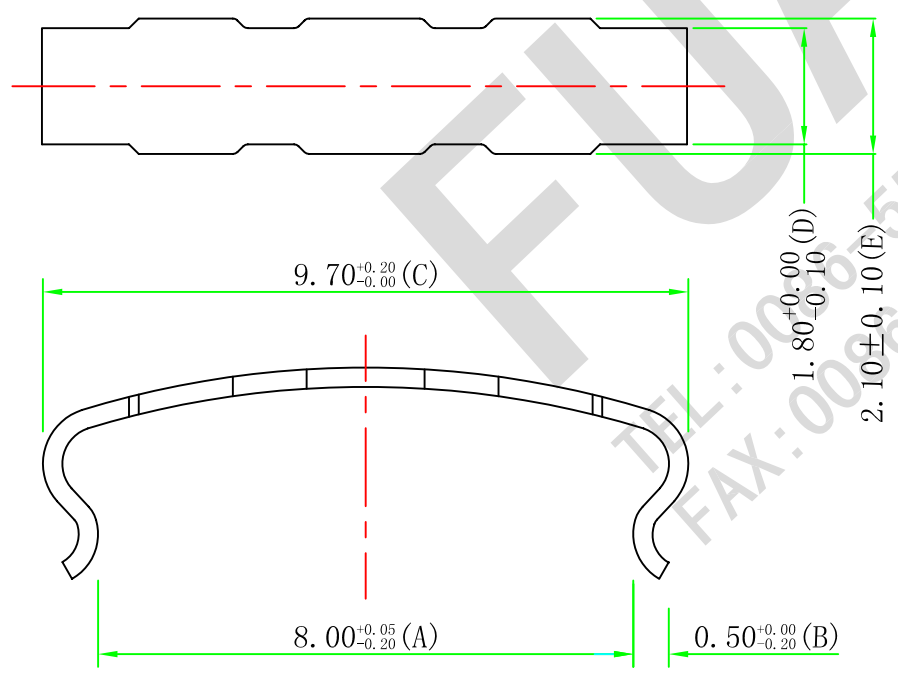


TITLE:	RM 5-1-1
MATERIAL	SUS 301 0.35T



TITLE:	RM 5-1-2
MATERIAL	SK7 0.3T



REMARK:			REV.	REVISIONS REC.	DATE:
1.			1.		
2.			2.		
3.			3.		
DRAWN BY	WINNIE XIAO	TOLERANCES: ± 0.2	UNIT:	TITLE:	
CHECKED BY	ANSON ZHAN	SURFACE PROCESS:	MM	RM SERIES	
APPROVED BY	LOUIS LIN		SCALE:	MATERIAL:	REV. :
天长市富安电子有限公司 TIAN CHANG FUAN ELECTRONIC CO.,LTD TEL:+86-550-7814888 FAX:+86-550-7831133 WEBSITE:WWW.FUANTRONICS.COM			8:1		0
				DRAWING NO:	DATE:
					2010.11.03