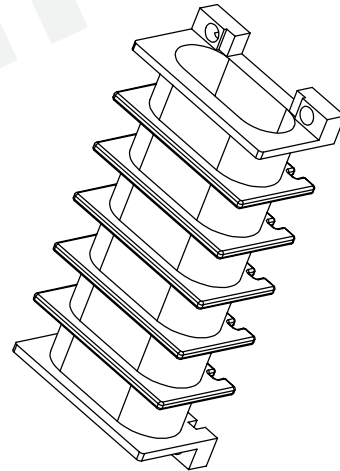
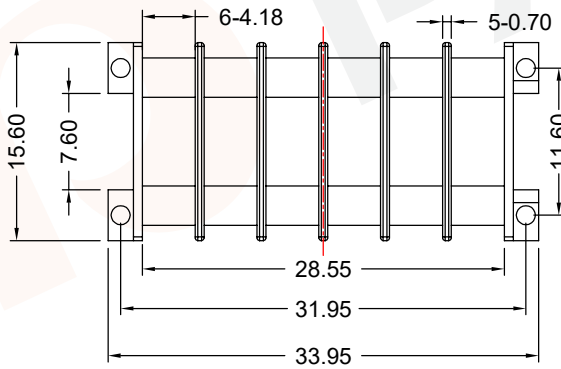
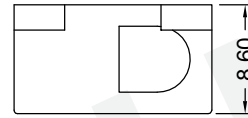
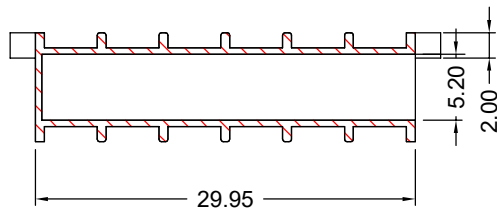


COIL FORMER  
General data R30/11 coil former

| PARAMETER                     | SPECIFICATION   |
|-------------------------------|---|
| Coil former material          | polyamid (PA66), glass reinforced, flame retardant in accordance with "UL 94HB";<br>UL file number E41938 |
| Pin material                  |   |
| Maximum operating temperature | 130°C, "IEC 60085", class B   |
| Resistance to soldering heat  | "IEC 60068-2-20", Part 2, Test Tb, method 1B, 350 °C, 3.5 s   |
| Soldeerability                | "IEC 60068-2-20", Part 2, Test Ta, method 1   |



Tolerances unless otherwise specified:  
 $0 < L \leq 4 \pm 0.10$     $4 < L \leq 16 \pm 0.20$   
 $16 < L \leq 45 \pm 0.30$     $45 \leq L \pm 0.40$   
 Pin Dim:  $\pm 0.05$    Thickness:  $\pm 0.20$    Pin Pitch:  $\pm 0.20$

Dimensions:  
(mm)



TYPE NUMBER: UI-3001-6S

Mould No.: UI3001

Bobbin material: PA66

Code No.: FAY01091

Available for Fuan core: R29\*12.2\*5.1



Fuan Electronics

TEL :0086-514-87693589  
 EML :sales@fuantronics.net  
 WEB:www.fuantronics.net

Make: P.Xiao

Material Number: A4E300100100

Checked: Beson. zhan

Document/Rev: 00

Approved: Anson. zhan

Date of Recognition: Oct./23/2019