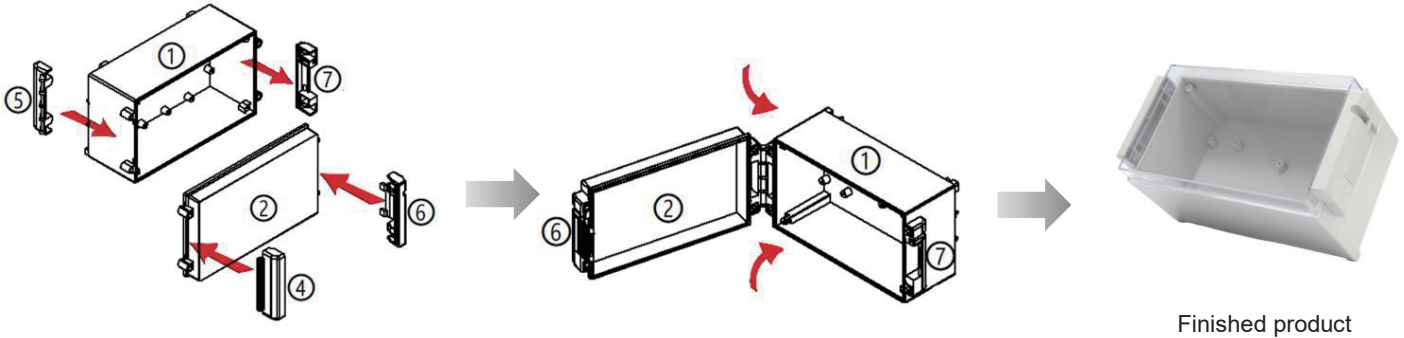


# ASSEMBLY INSTRUCTION

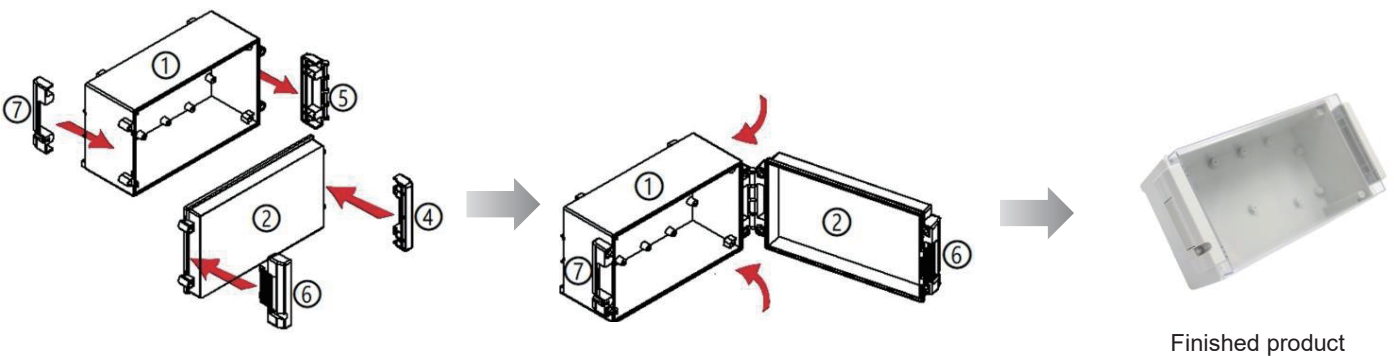
## Left-hand hinge

1. To assemble the ⑤ hinge bar on the left side of the ① cabinets.
2. To assemble the ⑦ lower locking hook on the right side of the ① cabinets.
3. To assemble the ④ hinge clip on the left side of the ② transparent lid.
4. To assemble the ⑥ locking hook on the right side of the ② transparent lid.



## Right-hand hinge

1. To assemble the ⑦ hinge bar on the left side of the ① cabinets.
2. To assemble the ⑤ lower locking hook on the right side of the ① cabinets.
3. To assemble the ⑥ hinge clip on the left side of the ② transparent lid.
4. To assemble the ④ locking hook on the right side of the ② transparent lid.



## OTHER FEATURES

### Mounting brackets ( Optional )

Can be assembled with the mounting brackets.



MF-001LG(4PCS)



### Designed to assemble with the IP68 cable glands (PG or Metric type).



1. For PG 9 or M12 USE.
2. For PG11 or M16 USE.
3. For PG13.5 or M20 USE.

### Din EN60715 rail (35mm)

Can be assembled with the din EN60715 rail (35mm).



\* not supply

### Designed to assemble with the lock



\* lock not supply