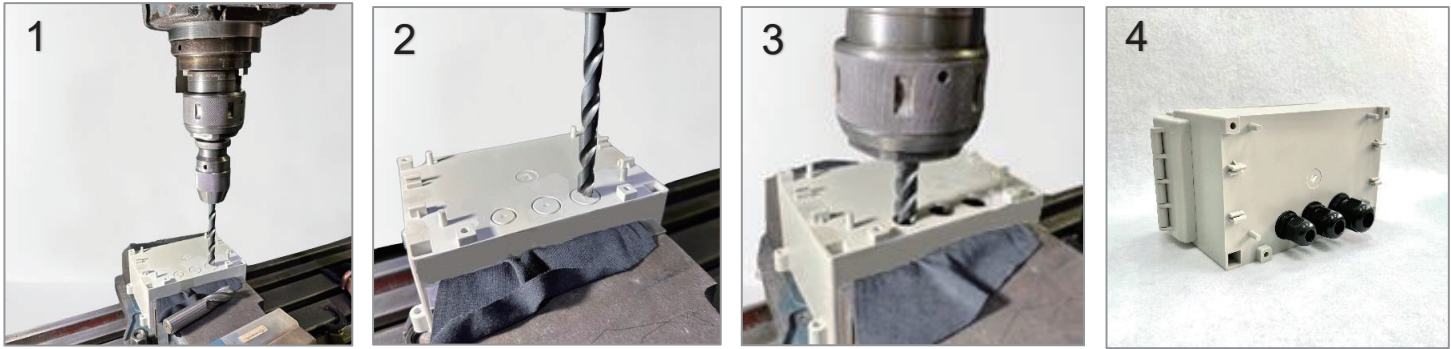
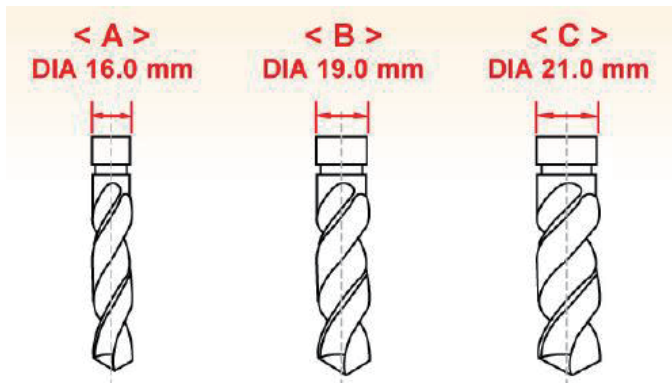


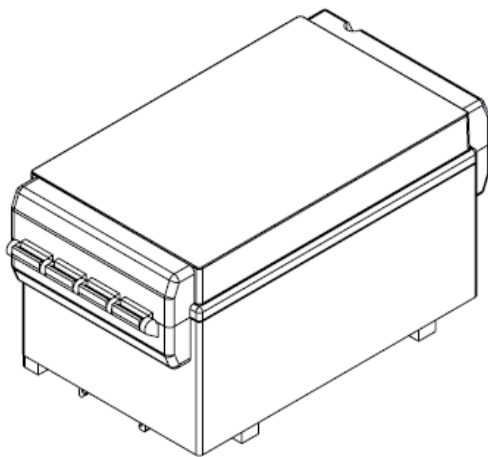
Example for the drilling & assembly of the cable gland with HGXXX series of plastic box



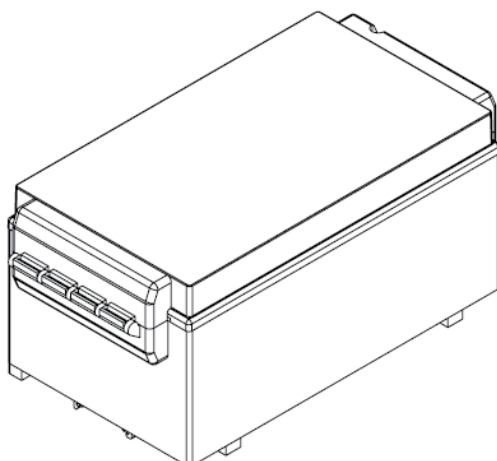
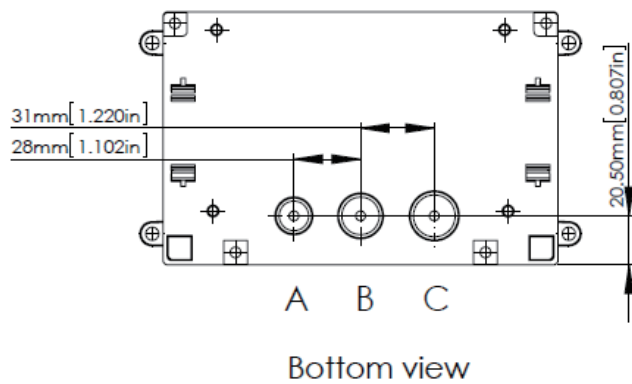
Recommended bit size



Recommended bit size		Cable Gland
A	DIA 16.0 mm	PG9 (or M12)
B	DIA 19.0 mm	PG11 (or M16)
C	DIA 21.0 mm	PG13.5 (or M20)



HGP001, HGP001CBU , HGA001



HGP005, HGP005CBU , HGA005

