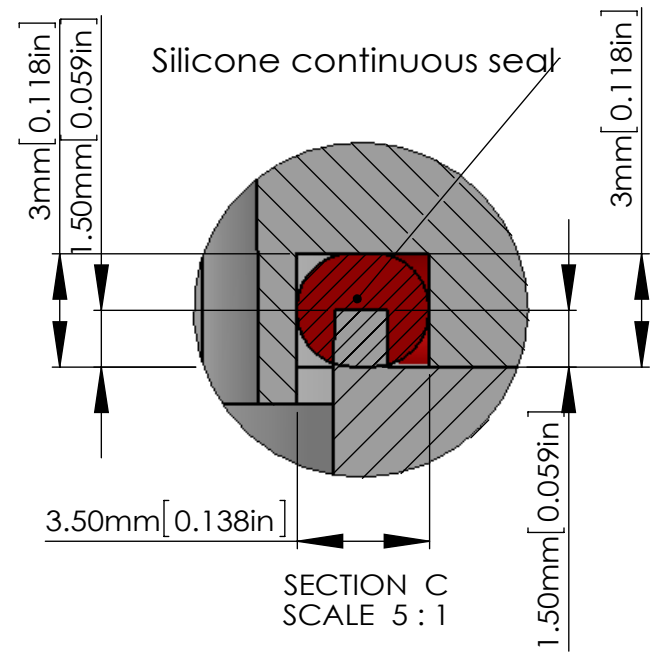
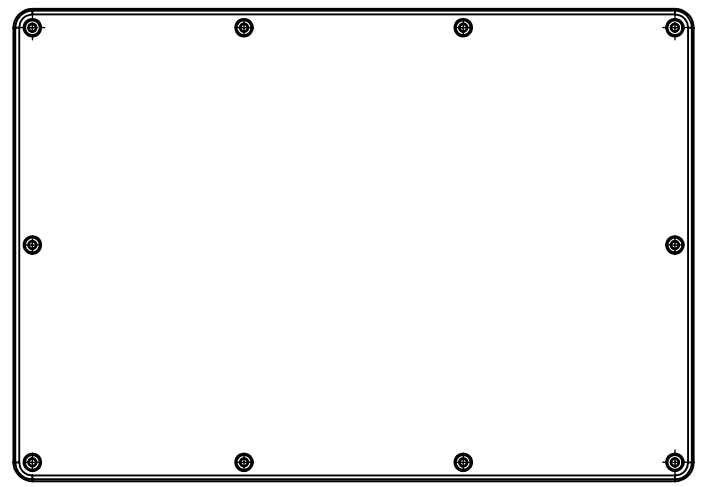
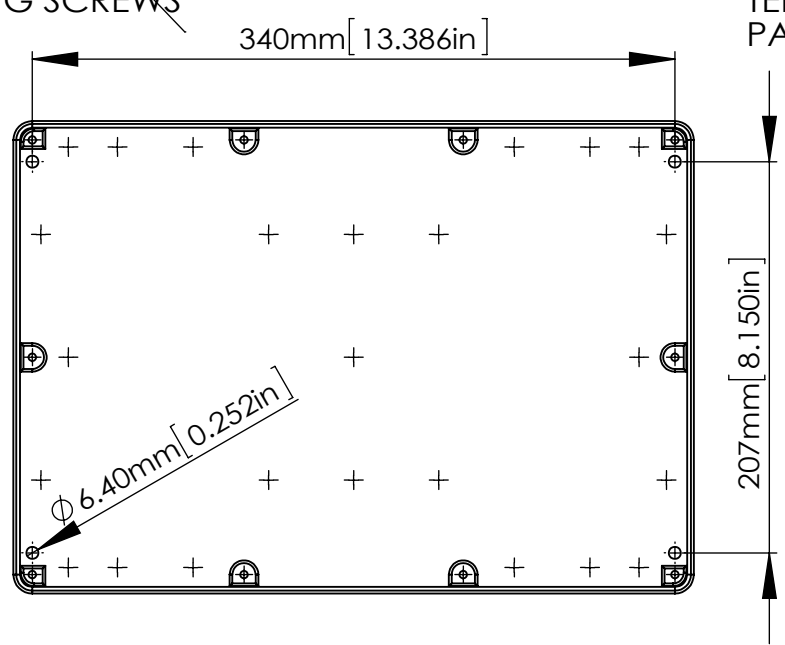


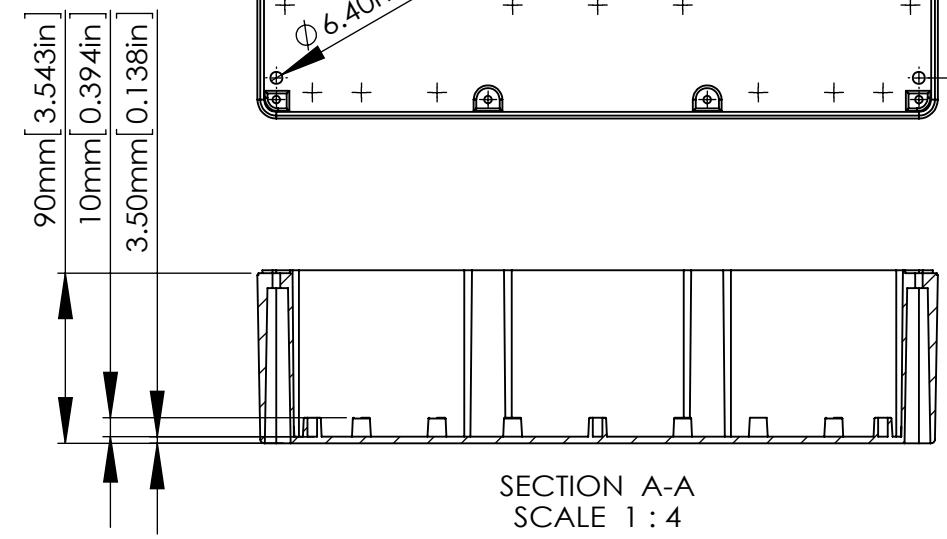
SECTION B-B
SCALE 1 : 4

M5.5X8 mm TAPPING SCREWS
(NOT SUPPLIED)

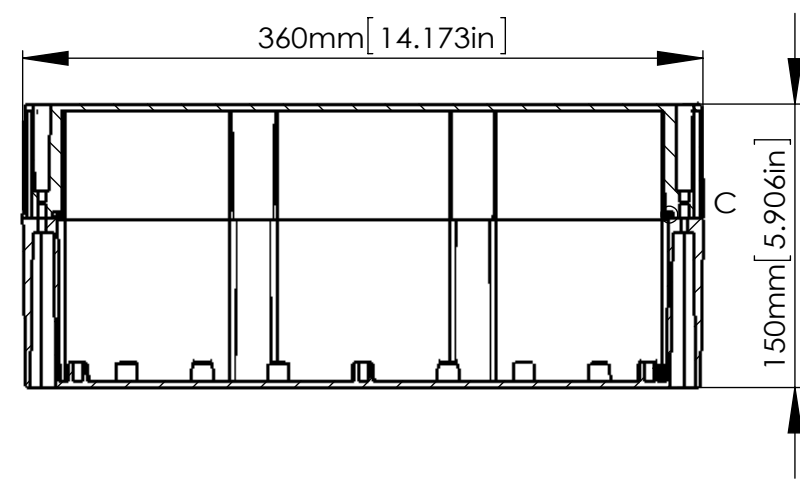
TEN (10) M4X25 mm
PAN HEAD SCREWS.



SECTION C
SCALE 5 : 1



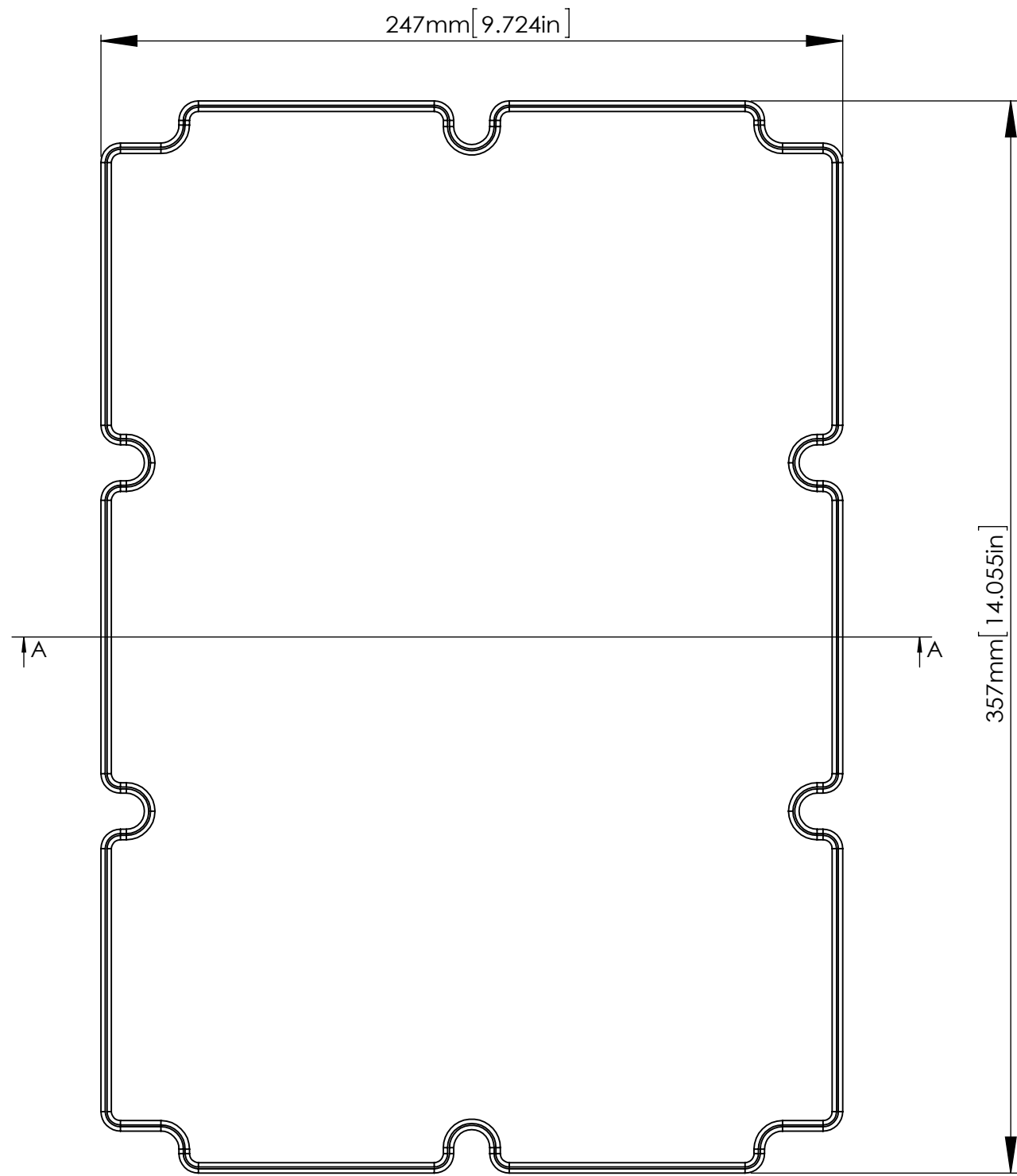
SECTION A-A
SCALE 1 : 4



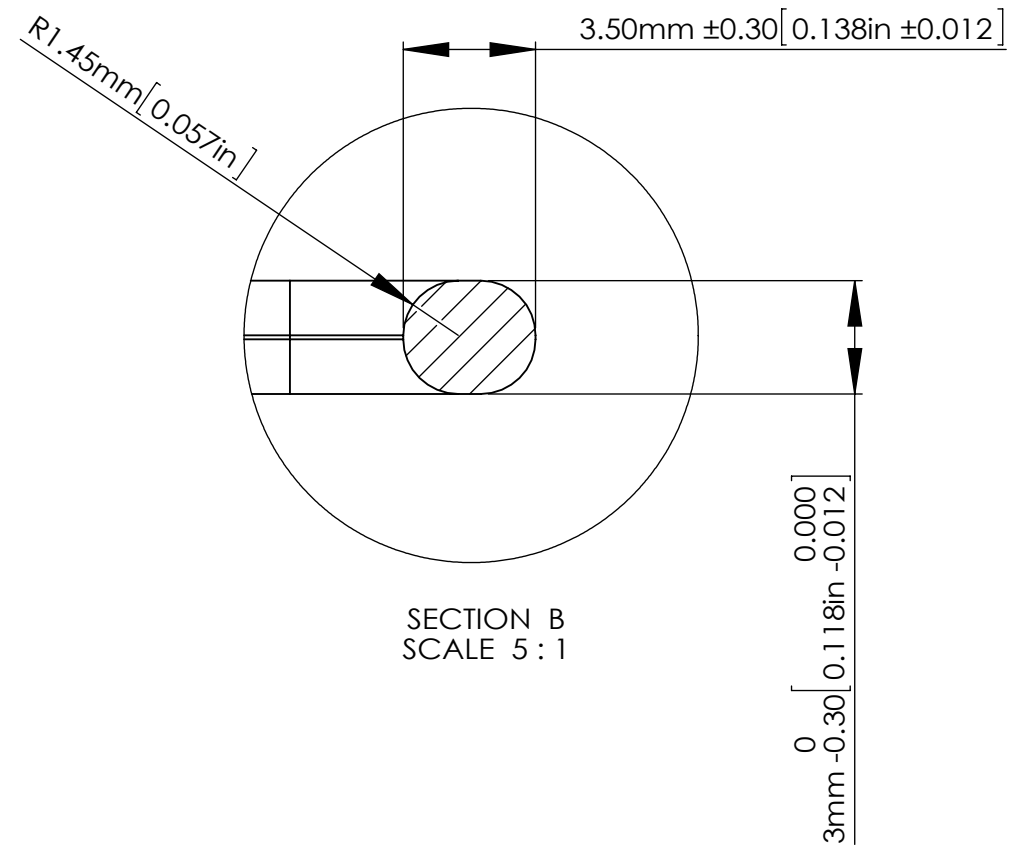
According to ISO 2768-m

Measuring DIM=L	Tolerances
0.5<L<=3.0mm	±0.1mm
3.0<L<=6.0 mm	±0.1mm
6.0<L<=30.0 mm	±0.2mm
30.0<L<=120.0 mm	±0.3mm
120.0<L<=400.0 mm	±0.5mm
400.0<L<=1000.0 mm	±0.8mm

宣又實業有限公司 GAINTA INDUSTRIES LTD.	繪圖	DRA'D BY	日期	DATE	材質	MATE.	圖名TITLE:	圖號DWG NO:	版次REVISED:
		JACKY	2024/06/28		PC/ABS		P20883-IP68/A30993-IP68		A



SECTION A-A



According to ISO 2768-m	
Measuring DIM=L	Tolerances
0.5<L<=3.0mm	±0.1mm
3.0<L<=6.0 mm	±0.1mm
6.0<L<=30.0 mm	±0.2mm
30.0<L<=120.0 mm	±0.3mm
120.0<L<=400.0 mm	±0.5mm
400.0<L<=1000.0 mm	±0.8mm

宣又實業有限公司
GAINTA INDUSTRIES LTD.

繪圖

DRA'D BY
JACKY

日期

2024/06/28

DATE

材質

SILICONE

MATE.

圖名TITLE:

P20793SEAL/A30693SEAL;
P20883SEAL/A30993SEAL

圖號DWG NO:

版次REVISED:

A