

**NEW**



| Part No.          | Description                              |
|-------------------|--|
| <b>GSN-12-1SC</b> | 2 X D BATTERY HOLDER WITH SNAP TERMINAL  |
| <b>GSN-14-2SC</b> | 4 X D BATTERY HOLDER WITH SNAP TERMINAL  |
| <b>GSN-22-1SC</b> | 2 X C BATTERY HOLDER WITH SNAP TERMINAL  |
| <b>GSN-24-2SC</b> | 4 X C BATTERY HOLDER WITH SNAP TERMINAL  |
| <b>GSN-32-2SC</b> | 2 X AA BATTERY HOLDER WITH SNAP TERMINAL |
| <b>GSN-33-1SC</b> | 3 X AA BATTERY HOLDER WITH SNAP TERMINAL |
| <b>GSN-34-2SC</b> | 4 X AA BATTERY HOLDER WITH SNAP TERMINAL |

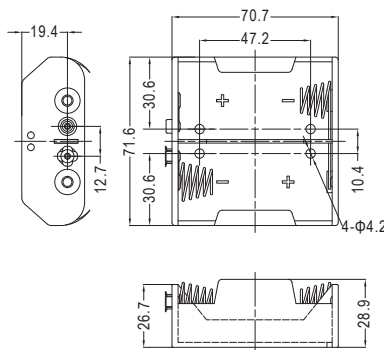
**Battery type:**



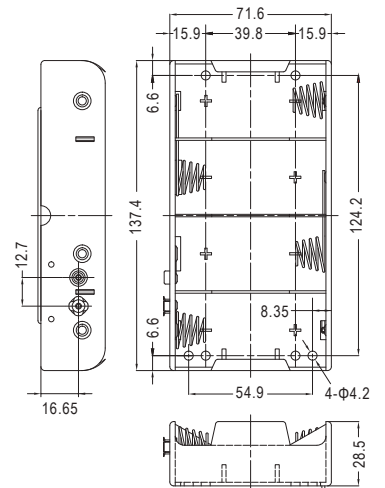
**D C AA**

| Plastic Material | Spring / Finish        | Terminal / Finish      |
|------------------|------------------------|------------------------|
| PP               | Steel / Nickel plating | Brass / Nickel plating |

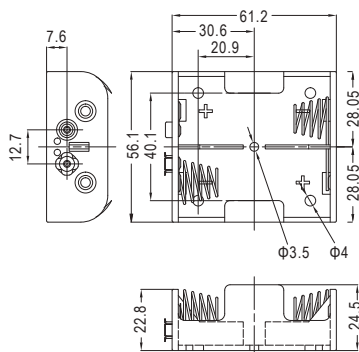
**GSN-12-1SC**



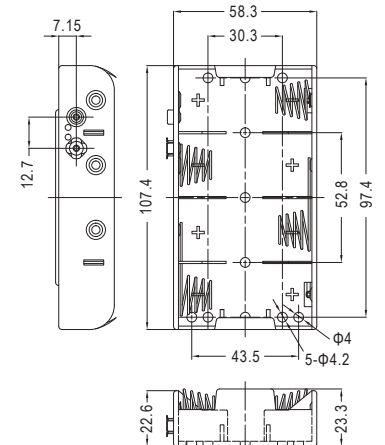
**GSN-14-2SC**



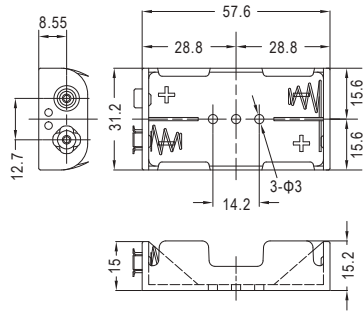
**GSN-22-1SC**



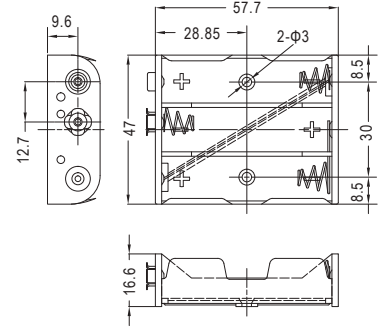
**GSN-24-2SC**



**GSN-32-2SC**



**GSN-33-1SC**



**GSN-34-2SC**

