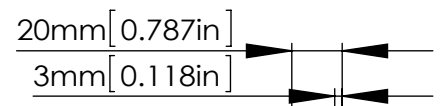
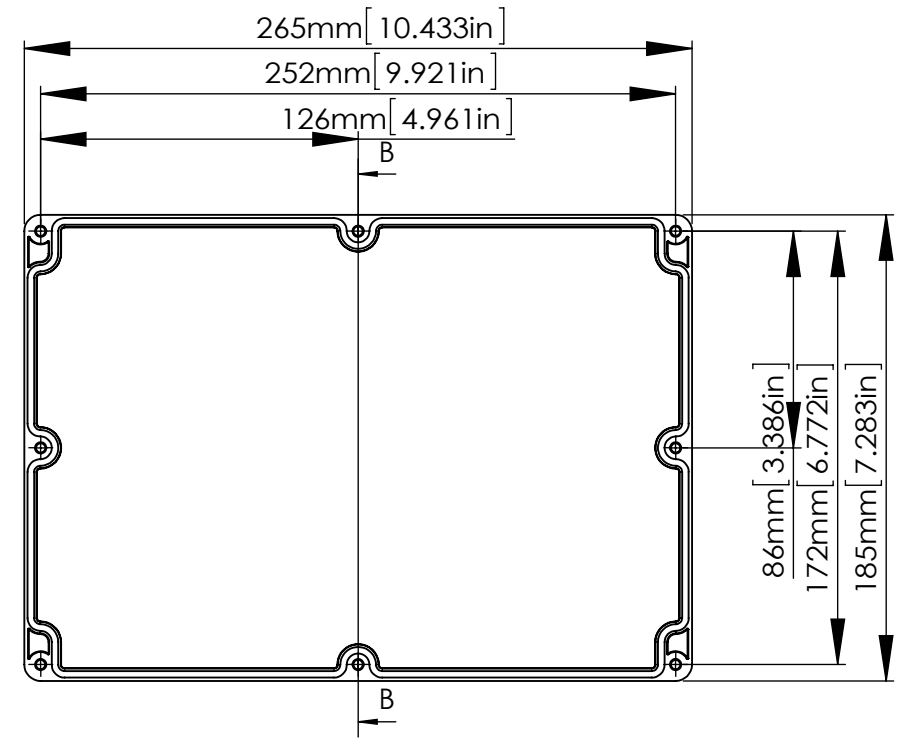
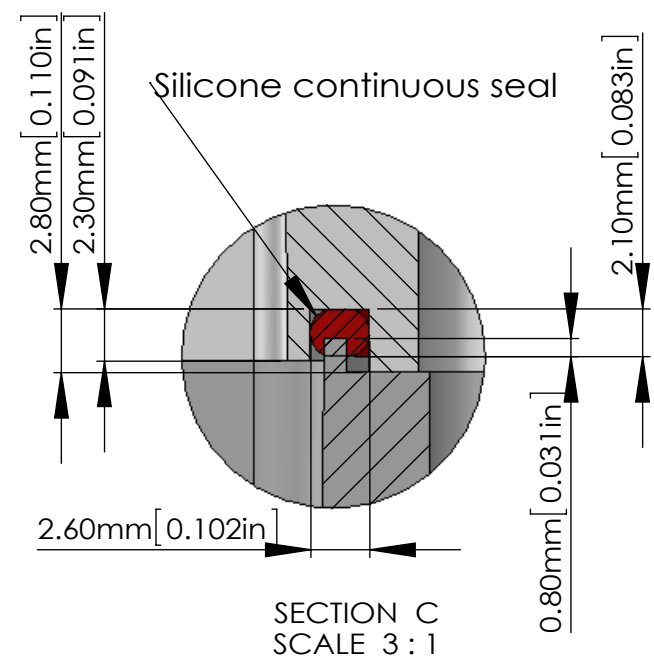
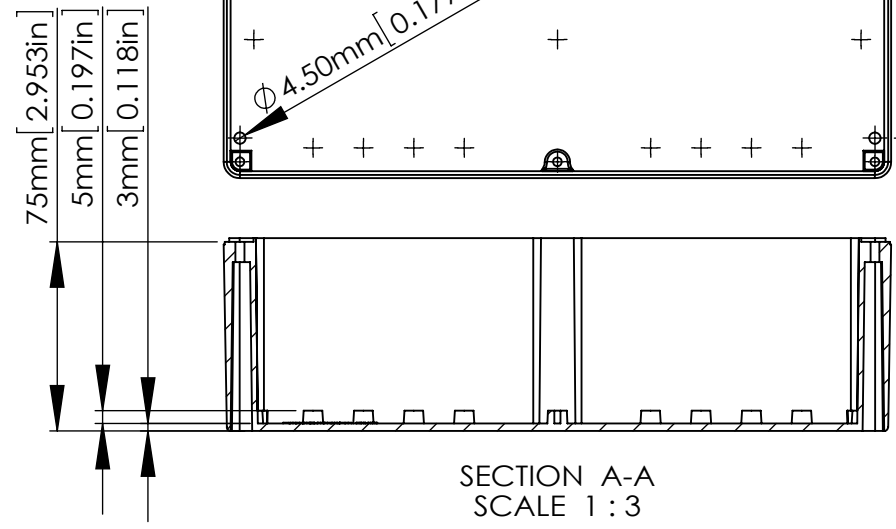
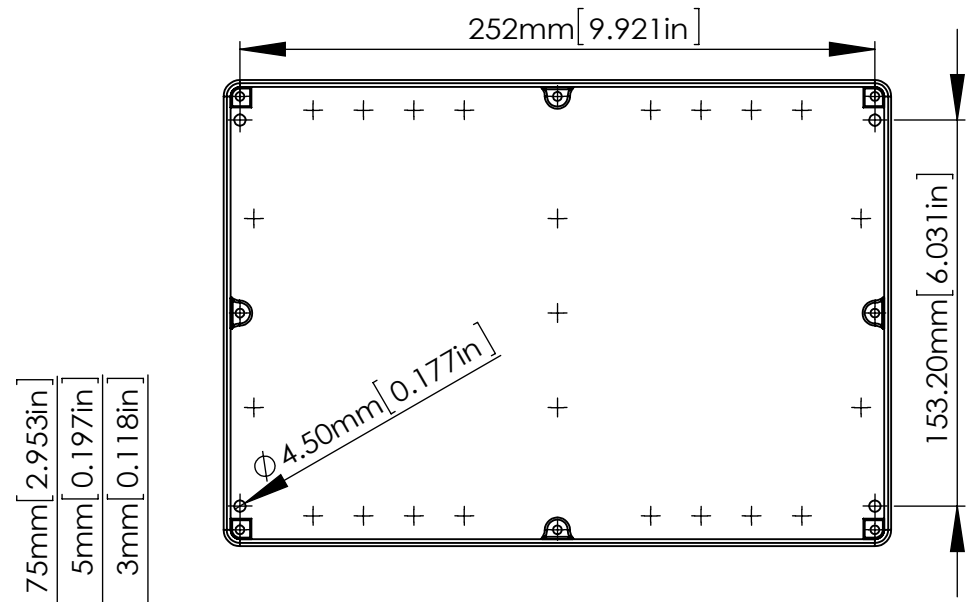


M3X6mm TAPPING SCREWS (NOT SUPPLIED).

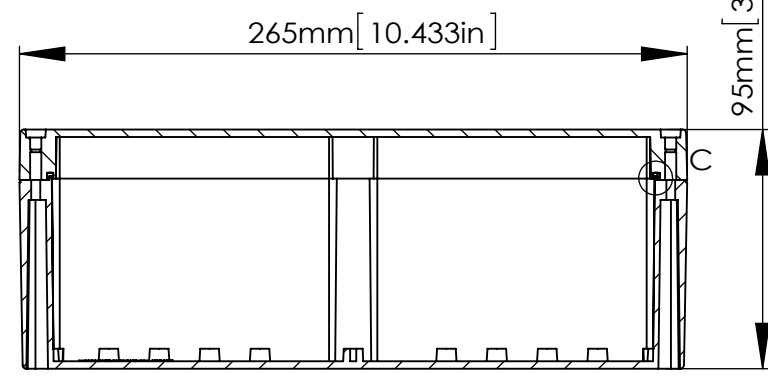
EIGHT (8) M4X25 mm PAN HEAD SCREWS.



SECTION B-B  
 SCALE 1 : 3



SECTION C  
 SCALE 3 : 1



ASSEMBLY

According to ISO 2768-m	
Measuring DIM=L	Tolerances
0.5<L<=3.0mm	±0.1mm
3.0<L<=6.0 mm	±0.1mm
6.0<L<=30.0 mm	±0.2mm
30.0<L<=120.0 mm	±0.3mm
120.0<L<=400.0 mm	±0.5mm
400.0<L<=1000.0 mm	±0.8mm

宣又實業有限公司  
 GAINTA INDUSTRIES LTD.

繪圖 DRA'D BY  
 JACKY

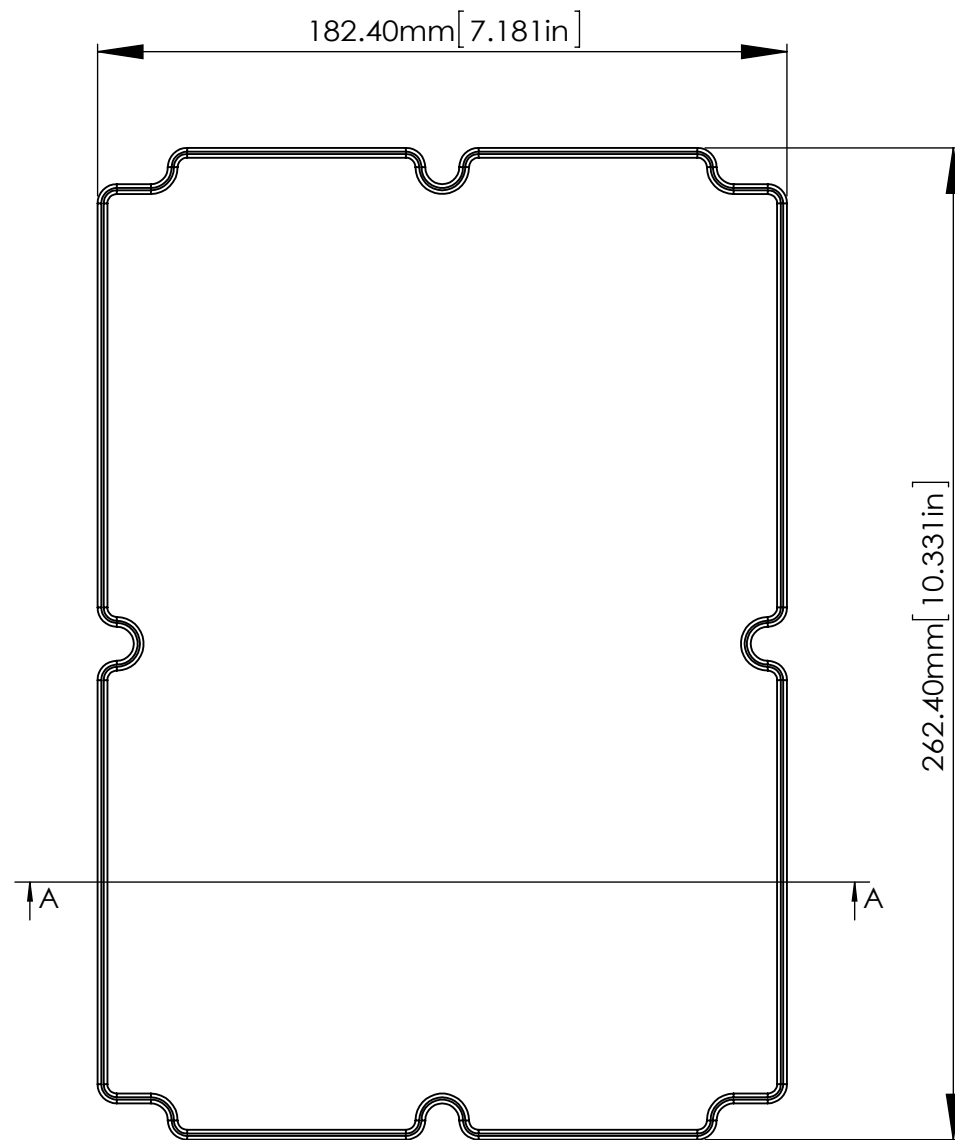
日期 DATE  
 2020/02/20

材質 MATE.  
 PC/ABS

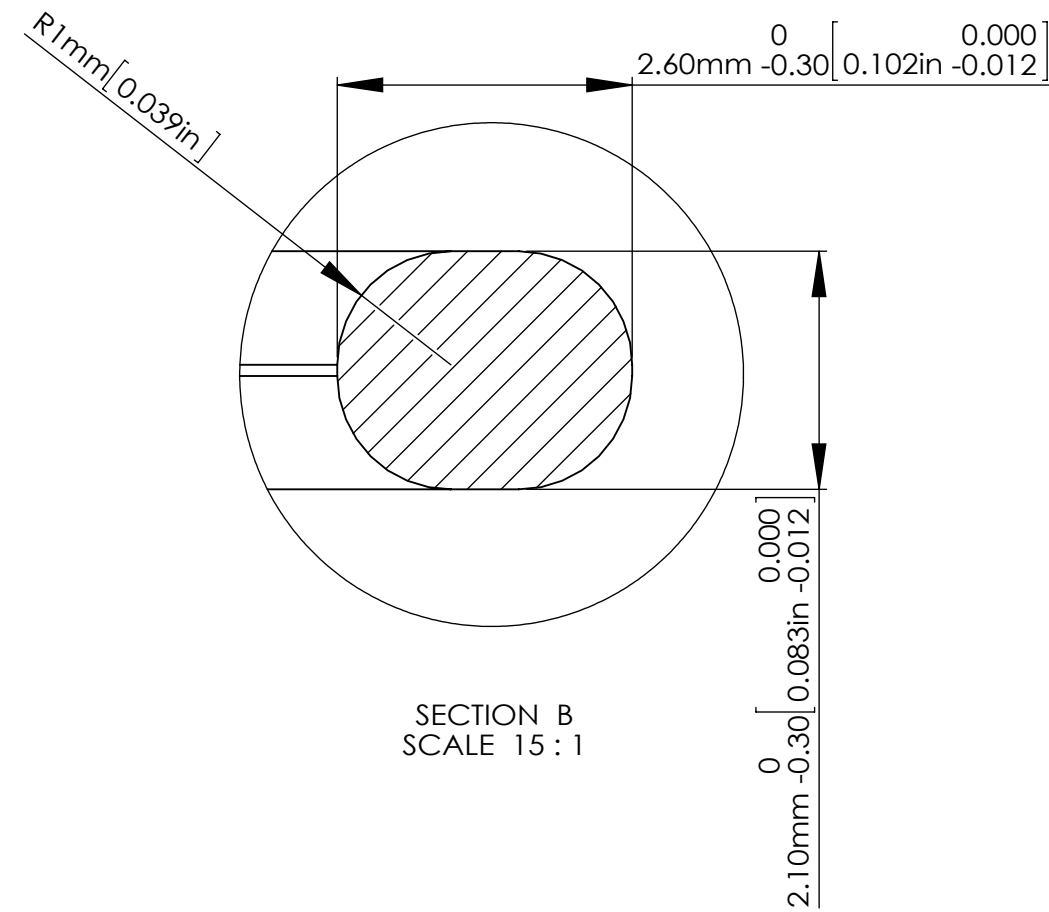
圖名TITLE:  
 P2385-IP68/A3783-IP68

圖號DWG NO:

版次REVISED:  
 A



SECTION A-A



SECTION B  
SCALE 15 : 1

According to ISO 2768-m	
Measuring DIM=L	Tolerances
0.5<L<=3.0mm	±0.1mm
3.0<L<=6.0 mm	±0.1mm
6.0<L<=30.0 mm	±0.2mm
30.0<L<=120.0 mm	±0.3mm
120.0<L<=400.0 mm	±0.5mm
400.0<L<=1000.0 mm	±0.8mm

宣又實業有限公司  
GAINTA INDUSTRIES LTD.

繪圖

DRA'D BY  
JACKY

日期

2020/02/20

DATE

材質

SILICONE

MATE.

圖名TITLE:

P2385SEAL/A3783SEAL

圖號DWG NO:

版次REVISED:

A