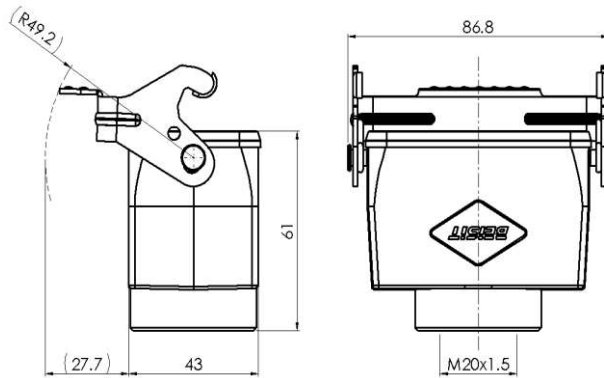


Size 10B Cable to cable housing



Typecode H10B-CTC-1L-M20
ID 1 007 01 0001378

Technical Data

Product Properties	
Series	Size 10B
Mating with	HE-010, HEE-018, HDD-042
Housing type	Cable to cable housing
Cable outlets direction	Top entry
Cable outlets	M20 x 1.5
Locking type	Single locking lever
Protection Class	IP65
Impact strength	IK08
Temperature range	-40 °C ... 125 °C
Standard	DIN EN 175301-801

Insert	
Housing material	Die-cast aluminum
Color	Gray (RAL 7037)
Latch	Metal
Seal	NBR, black

Commercial data	
Weight	155 g
Packaging unit	1 pc
Country of origin	CN

Features

- Die casting of aluminum
- Zinc plated metal locking lever
- Top entry
- Resistant to salt spray
- Approval: UL94-V0
- RoHS-compliant

*The design data are listed here, and the changes to the product are not described here. For unfinished matters, please contact customer service. It is the user's responsibility to verify functionality, compliance with applicable laws and instructions, and electrical safety in specific applications.