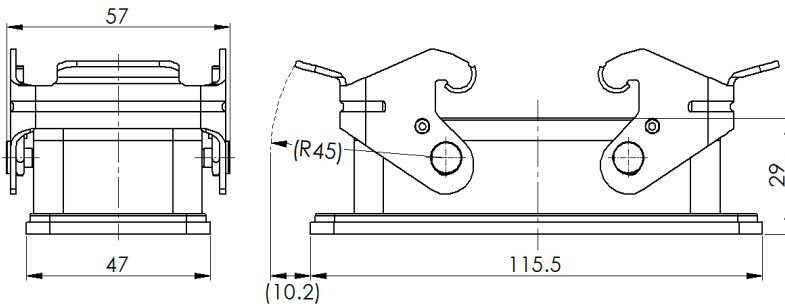


Size 16B Panel mounting base, with double locking latch



Typecode H16B-OM-2L
ID 1 007 01 0000475

Technical Data

Product Properties

Series	Size 16B
Mating with	HE-016, HEE-032, HEEE-040, HD-040, HDD-072, HK-004/0, HSB-6
Housing type	Panel mounting base
Cable outlets direction	Bottom open ends
Locking type	With double locking latch
Mounting type	Panel mounting
Protection Class	IP65
Impact strength	IK08
Temperature range	-40 °C ... 125 °C
Standard	DIN EN 175301-801

Insert

Housing material	Die-cast aluminum
Color	Gray (RAL 7037)
Locking latch material	Metal, Zinc-plated
Seal	NBR, black

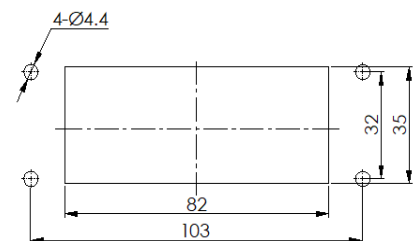
Commercial data

Weight	0.122 kg
Packaging unit	1 pc
Country of origin	CN

Features

- Die casting of aluminum
- Metal locking latch
- Impact resistant protective cover
- Bottom open ends
- Panel mounting base
- NBR, black
- Resistant to salt spray
- Approval: UL94-V0
- RoHS-compliant

Mounting cutout



*这里所列的是设计数据，有关产品的变更不在此做说明，未尽事宜请联系客服。用户有责任验证功能、符合适用的法律和指令以及在特定应用中的电气安全。