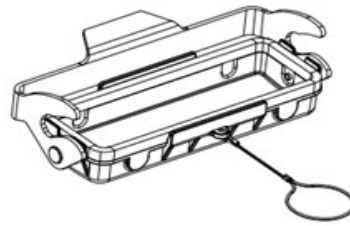
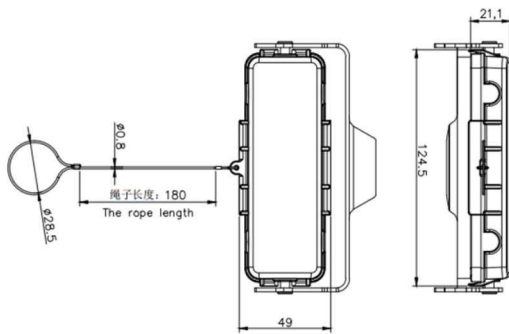


## H24B protective cover with metal rope



Typecode H24B-MC-1L-M

### Technical Data

#### Product Properties

Series

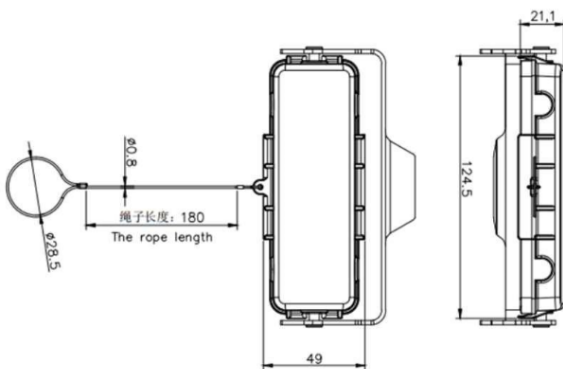
Material

Type

Protection

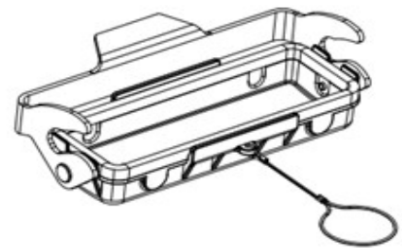
Temperature

Standard



### Features

- Die casting zinc powder spraying



#### Insert

Material	Die cast zinc
Colour	Grey (RAL 7032)

#### Commercial data

Weight	5 pc
Packaging unit	CN
Country of origin	10g

\*The data listed here is the design data, and any changes related to the product will not be explained here. For any matters not covered, please contact customer service. Users are responsible for verifying functionality, complying with applicable laws and directives, and ensuring electrical safety in specific applications.

