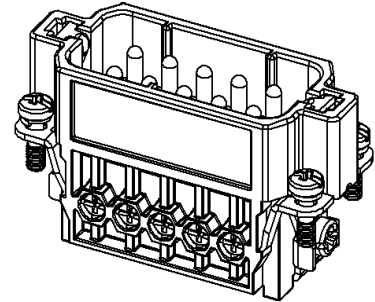
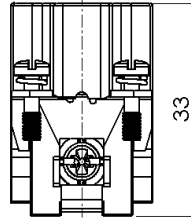
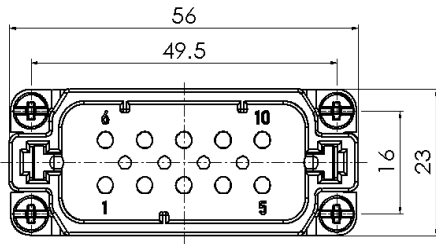


HA Series, Screw connection, 10 pin, Male insert



Typecode HA-010-M
ID 1 007 03 000005

Technical Data

Product Properties

Series	HA
Mating with	H10A
Connection mode	Screw connection
Gender	Male
Rated voltage	250 V
Rated current	10 A
Rated impulse voltage	4 kV
Number of pins	4
Core cross-section/Clamping ability	1.0~ 2.5 mm ² / 18 AWG ~ 14 AWG
Grounding conductor	Yes
Pollution degree	3
Insulation resistance	≥10 ¹⁰ Ω
Temperature range	-40 °C ~ +125 °C
Standard	EN 60664-1, IEC 61984

Insert

Material	PC
Colour	Gray (RAL 7032)

Commercial data

Weight	0.051 kg
Packaging unit	10 pcs
Country of origin	CN

Features

- High quality engineering plastics
- Screw connection
- ≥500 Mating cycles
- Approval: CE
- RoHS-compliant

*The design data are listed here, and the changes to the product are not described here. For unfinished matters, please contact customer service. It is the user's responsibility to verify functionality, compliance with applicable laws and instructions, and electrical safety in specific applications.