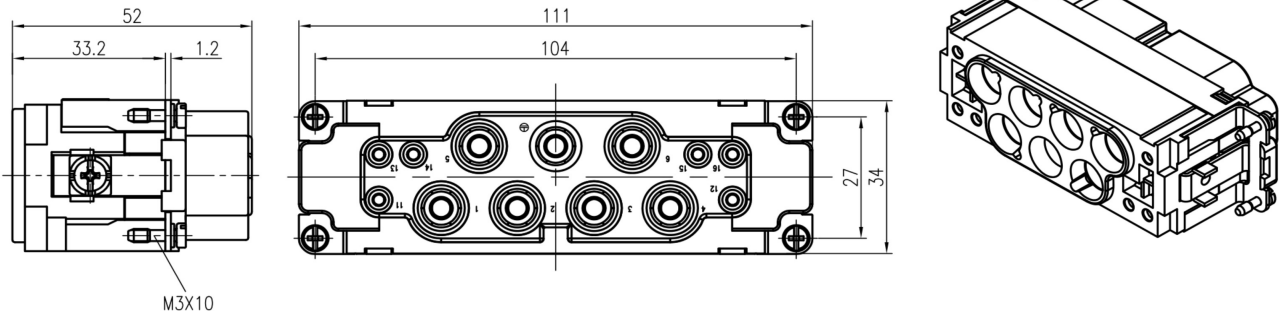


HK Series, connection, 6+6 pin, Combination inserts



Typecode **HK-006/6-F**

Technical Data

Product Properties

Series	HK
Mating with	H24B
Connection mode	Axial screw terminal/Screw terminal
Gender	FeMale
Rated voltage	Power area: 690V Signal area: 400V
Rated current	Power area: 100A Signal area: 16A
Rated impulse voltage	Power area: 8kV Signal area: 6kV
Number of pins	6+6+PE
Core cross-section/Clamping ability	Power contacts: 16-35mm ² (5-2 AWG) Signal contacts: 0.2-2.5mm ² (24-13 AWG)
Pollution degree	3
Tightening torque	Power contacts mm ² : 16 25 35 N·m : 6 7 8 Signal contacts: 0.8N·m
Insulation resistance	$\geq 10^{10} \Omega$
Temperature range	-40 °C ~ +125 °C
Standard	EN 60664-1, IEC 61984

Insert

Material	PC
Colour	Gray (RAL 7032)

Commercial data

Country of origin	CN
-------------------	----

Features

- High quality engineering plastics
- ≥ 500 Mating cycles
- RoHS-compliant

*The design data are listed here, and the changes to the product are not described here. For unfinished matters, please contact customer service. It is the user's responsibility to verify functionality, compliance with applicable laws and instructions, and electrical safety in specific applications.