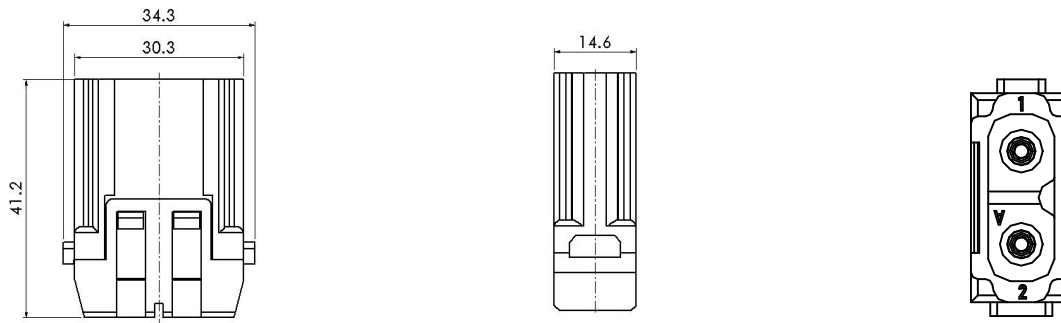


## HM Series, Axial screw terminal,2 pin, Male module



Typecode HM040-002-M-1

ID 1 007 04 000035

### Technical Data

#### Product Properties

Series	HM
Size of the module	module frames
Connection mode	Axial screw terminal
Gender	Male
Rated voltage	1000V
Rated current	40A
Rated impulse voltage	8KV
Number of pins	2
Core cross-section/Clamping ability	2.5 ~ 8 mm <sup>2</sup> /AWG14 ~ AWG9
Pollution degree	3
Insulation resistance	≥ 10 <sup>10</sup> Ω
Temperature range	-40°C ~ +125°C
Tightening torque	1.5Nm@2.5mm <sup>2</sup> 1.5Nm@4mm <sup>2</sup> 2Nm@6mm <sup>2</sup>
Standard	EN 60664-1 IEC 61984

#### Insert

Material	PC
Colour	Gray (RAL 7032)

#### Commercial data

Weight	0.024kg
Packaging unit	1 pc
Country of origin	CN

### Features

- High quality engineering plastics
- Crimping connection
- ≥ 500 Mating cycles
- Approval: UL, CE
- RoHS-compliant

\*这里所列的是设计数据，有关产品的变更不在此做说明，未尽事宜请联系客服。用户有责任验证功能、符合适用的法律和指令以及在特定应用中的电气安全。