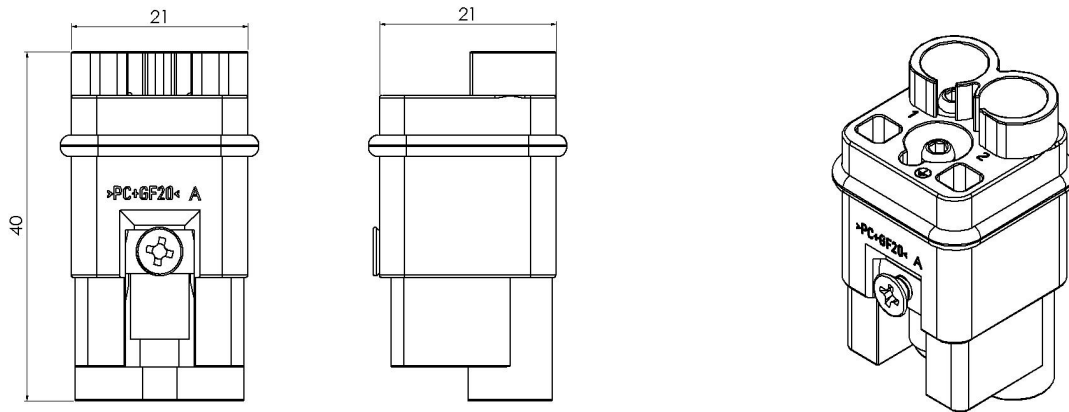


HQ Series, Screw connection, 2 pin, Male insert



Typecode HQ-002-M-3
ID 1 007 03 0000117

Technical Data

Product Properties	
Series	HQ
Mating with	H3A
Connection mode	Screw connection
Gender	Male
Rated voltage	400 V
Rated current	40 A
Rated impulse voltage	6 kV
Number of pins	2
Core cross-section/Clamping ability	4 ~ 10 mm ² / 12 AWG ~ 8 AWG
Grounding conductor	Yes
Pollution degree	3
Insulation resistance	≥10 ¹⁰ Ω
Temperature range	-40 °C ~ +125 °C
Standard	EN 60664-1, IEC 61984

Insert	
Material	PC
Colour	Gray (RAL 7032)

Commercial data	
Weight	0.0268 kg
Packaging unit	5 pcs
Country of origin	CN

Features

- High quality engineering plastics
- Screw connection
- ≥ 500 Mating cycles
- Approval: CE, UL
- RoHS-compliant

*这里所列的是设计数据，有关产品的变更不在此做说明，未尽事宜请联系客服。用户有责任验证功能、符合适用的法律和指令以及在特定应用中的电气安全。