

SMD POWER INDUCTOR

JDO SERIES

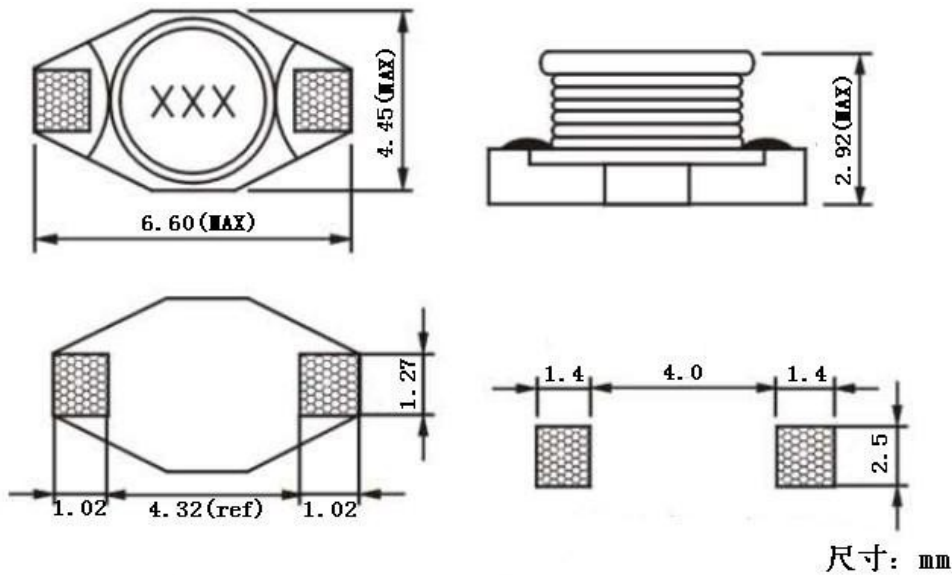


FEATURES/APPLICATOINS

- .Carrier tape packing use for SMT
- .High rated current & Low DCR,Quadrate; Elliptic:4.5x6.6mm~15x18.5mm
Height:2.9mm~7.5mm.
- .Suitable for reflow SMT craft soldering
- .Lead free products, RoHS compliant
- .Widely use in Digital products & Scanner/DC-DC converter/Power supply for VTP/LCD monitor/portable terminal equipment/Telecommunications/Notebook and PC Peripheral equipments etc

JDO1608

SHAPE AND DIMENSIONS



Electrical Characteristics JDO1608 Series

Part NO	Test Condition	Inductance(μ H)	Tolerance(%)	DC Resistance(Ω)Max	Rated Current(A)Max
JDO1608-1R0M	1KHz/0.25V	1	± 20	0.05	2.9
JDO1608-1R5M	1KHz/0.25V	1.5	± 20	0.05	2.6
JDO1608-2R2M	1KHz/0.25V	2.2	± 20	0.07	2.3
JDO1608-3R3M	1KHz/0.25V	3.3	± 20	0.08	2
JDO1608-4R7M	1KHz/0.25V	4.7	± 20	0.09	1.5
JDO1608-6R8M	1KHz/0.25V	6.8	± 20	0.13	1.2
JDO1608-100M	1KHz/0.25V	10	± 20	0.16	1.1
JDO1608-150M	1KHz/0.25V	15	± 20	0.23	0.9

Special inquiries besides the above common used types can be meet

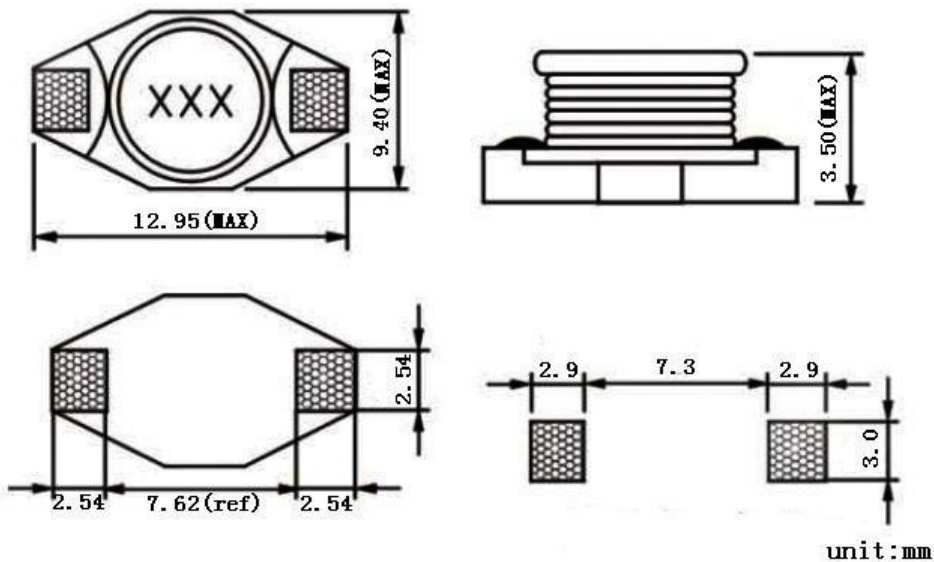
Electrical Characteristics JDRO1608 Series

Part NO	Test Condition	Inductance(μ H)	Tolerance(%)	DC Resistance(Ω)Max	Rated Current(A)Max
JDO1608-220M	1KHz/0.25V	22	± 20	0.37	0.7
JDO1608-330M	1KHz/0.25V	33	± 20	0.51	0.58
JDO1608-470M	1KHz/0.25V	47	± 20	0.64	0.5
JDO1608-680M	1KHz/0.25V	68	± 20	0.86	0.4
JDO1608-101K	1KHz/0.25V	100	± 10	1.27	0.31
JDO1608-151K	1KHz/0.25V	150	± 10	2	0.27
JDO1608-221K	1KHz/0.25V	220	± 10	3.11	0.22
JDO1608-331K	1KHz/0.25V	330	± 10	3.8	0.18
JDO1608-471K	1KHz/0.25V	470	± 10	6.2	0.16
JDO1608-681K	1KHz/0.25V	680	± 10	9.2	0.14
JDO1608-102K	1KHz/0.25V	1000	± 10	13.8	0.1

Special inquiries besides the above common used types can be meet

JDO3310

SHAPE AND DIMENSIONS



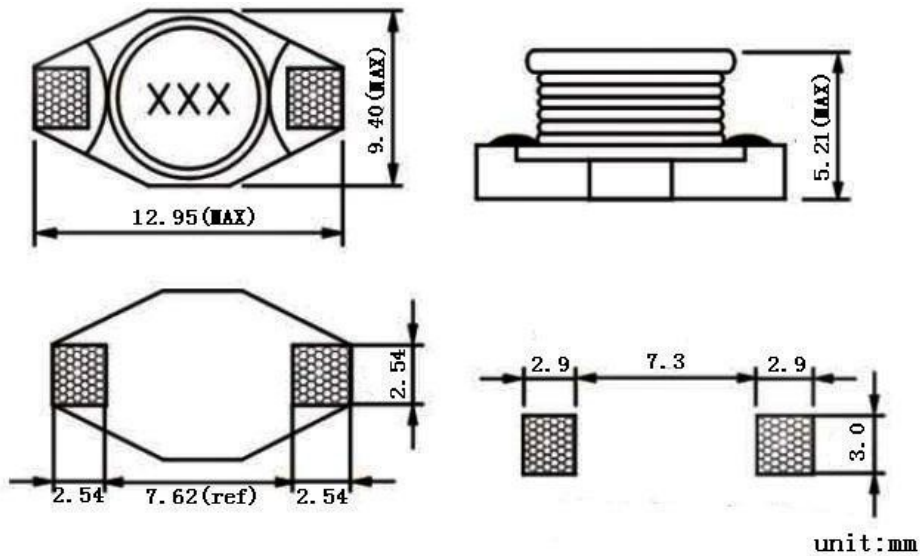
Electrical Characteristics JDO3310 Series

Part NO	Test Condition	Inductance(μ H)	Tolerance(%)	DC Resistance(Ω)Max	Rated Current(A)Max
JDO3310-100M	1KHz/0.25V	10	± 20	0.11	2.4
JDO3310-150M	1KHz/0.25V	15	± 20	0.15	2
JDO3310-220M	1KHz/0.25V	22	± 20	0.23	1.6
JDO3310-330M	1KHz/0.25V	33	± 20	0.3	1.4
JDO3310-470M	1KHz/0.25V	47	± 20	0.39	1
JDO3310-680M	1KHz/0.25V	68	± 20	0.66	0.9
JDO3310-101K	1KHz/0.25V	100	± 10	0.84	0.7
JDO3310-151K	1KHz/0.25V	150	± 10	1.2	0.6
JDO3310-221K	1KHz/0.25V	220	± 10	1.9	0.5
JDO3310-331K	1KHz/0.25V	330	± 10	2.7	0.4
JDO3310-471K	1KHz/0.25V	470	± 10	4	0.3
JDO3310-681K	1KHz/0.25V	680	± 10	5.3	0.2
JDO3310-102K	1KHz/0.25V	1000	± 10	8.4	0.1

Special inquiries besides the above common used types can be meet

JDO3316

SHAPE AND DIMENSIONS



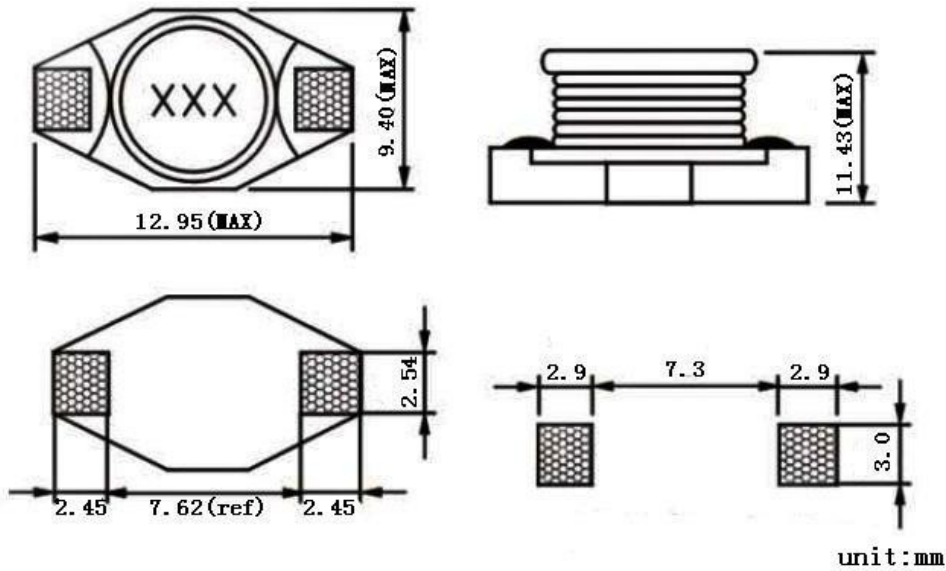
Electrical Characteristics JDO3316 Series

Part NO	Test Condition	Inductance(μ H)	Tolerance(%)	DC Resistance(Ω)Max	Rated Current(A)Max
JDO3316-1R0M	1KHz/0.25V	1	± 20	0.009	9
JDO3316-1R5M	1KHz/0.25V	1.5	± 20	0.01	8
JDO3316-2R2M	1KHz/0.25V	2.2	± 20	0.012	7
JDO3316-3R3M	1KHz/0.25V	3.3	± 20	0.015	6.4
JDO3316-4R7M	1KHz/0.25V	4.7	± 20	0.018	5.4
JDO3316-6R8M	1KHz/0.25V	6.8	± 20	0.027	4.6
JDO3316-100M	1KHz/0.25V	10	± 20	0.038	3.8
JDO3316-150M	1KHz/0.25V	15	± 20	0.046	3
JDO3316-220M	1KHz/0.25V	22	± 20	0.085	2.6
JDO3316-330M	1KHz/0.25V	33	± 20	0.1	2
JDO3316-470M	1KHz/0.25V	47	± 10	0.14	1.6
JDO3316-680M	1KHz/0.25V	68	± 10	0.2	1.4
JDO3316-101K	1KHz/0.25V	100	± 10	0.28	1.2
JDO3316-151K	1KHz/0.25V	150	± 10	0.4	1
JDO3316-221K	1KHz/0.25V	220	± 10	0.61	0.8
JDO3316-331K	1KHz/0.25V	330	± 10	1.02	0.6
JDO3316-471K	1KHz/0.25V	470	± 10	1.27	0.5
JDO3316-681K	1KHz/0.25V	680	± 10	2.02	0.4
JDO3316-102K	1KHz/0.25V	1000	± 10	3	0.3

Special inquiries besides the above common used types can be meet

JDO3340

SHAPE AND DIMENSIONS



Electrical Characteristics JDO3340 Series

Part NO	Test Condition	Inductance(μ H)	Tolerance(%)	DC Resistance(Ω)Max	Rated Current(A)Max
JDO3340-100M	1KHz/0.25V	10	± 20	0.023	2.88
JDO3340-150M	1KHz/0.25V	15	± 20	0.03	2.46
JDO3340-220M	1KHz/0.25V	22	± 20	0.035	2.28
JDO3340-330M	1KHz/0.25V	33	± 20	0.041	2.08
JDO3340-470M	1KHz/0.25V	47	± 20	0.047	1.94
JDO3340-680M	1KHz/0.25V	68	± 20	0.05	1.68
JDO3340-101K	1KHz/0.25V	100	± 10	0.08	1.39
JDO3340-151K	1KHz/0.25V	150	± 10	0.09	1.26
JDO3340-221K	1KHz/0.25V	220	± 10	0.11	1.13
JDO3340-331K	1KHz/0.25V	330	± 10	0.15	1.02
JDO3340-471K	1KHz/0.25V	470	± 10	0.17	0.84

Special inquiries besides the above common used types can be meet

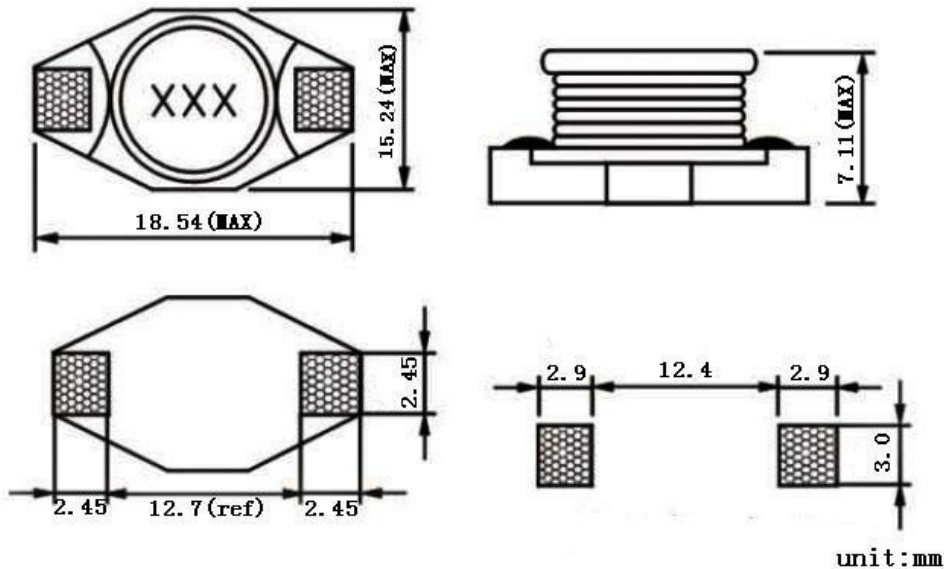
Electrical Characteristics JDO3340 Series

Part NO	Test Condition	Inductance(μ H)	Tolerance(%)	DC Resistance(Ω)Max	Rated Current(A)Max
JDO3340-681K	1KHz/0.25V	680	± 10	0.18	0.8
JDO3340-102K	1KHz/0.25V	1000	± 10	0.2	0.76

Special inquiries besides the above common used types can be meet

JDO5022

SHAPE AND DIMENSIONS



Electrical Characteristics JDO5022 Series

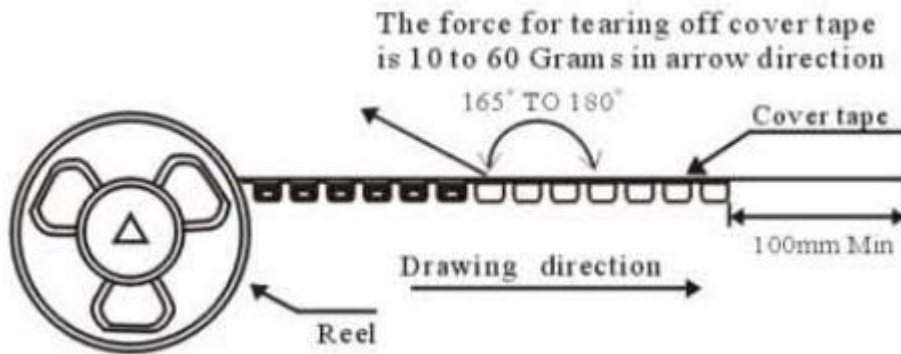
Part NO	Test Condition	Inductance(μ H)	Tolerance(%)	DC Resistance(Ω)Max	Rated Current(A)Max
JDO5022-1R0M	1KHz/0.25V	1.0	± 20	0.009	27
JDO5022-2R2M	1KHz/0.25V	2.2	± 20	0.014	18
JDO5022-3R3M	1KHz/0.25V	3.3	± 20	0.018	14
JDO5022-5R6M	1KHz/0.25V	5.6	± 20	0.02	12
JDO5022-6R8M	1KHz/0.25V	6.8	± 20	0.025	11

Special inquiries besides the above common used types can be meet

Electrical Characteristics JDO5022 Series

Part NO	Test Condition	Inductance(μ H)	Tolerance(%)	DC Resistance(Ω)Max	Rated Current(A)Max
JDO5022-100M	1KHz/0.25V	10	± 20	0.031	10
JDO5022-150M	1KHz/0.25V	15	± 20	0.036	8
JDO5022-220M	1KHz/0.25V	22	± 20	0.047	7
JDO5022-330M	1KHz/0.25V	33	± 20	0.066	5.5
JDO5022-470M	1KHz/0.25V	47	± 20	0.086	4.5
JDO5022-680M	1KHz/0.25V	68	± 20	0.13	3.5
JDO5022-101K	1KHz/0.25V	100	± 10	0.19	3
JDO5022-151K	1KHz/0.25V	150	± 10	0.25	2.6
JDO5022-221K	1KHz/0.25V	220	± 10	0.38	2.4
JDO5022-331K	1KHz/0.25V	330	± 10	0.56	1.9
JDO5022-471K	1KHz/0.25V	470	± 10	0.85	1.4
JDO5022-681K	1KHz/0.25V	680	± 10	1.1	1.2
JDO5022-102K	1KHz/0.25V	1000	± 10	1.8	1

Special inquiries besides the above common used types can be meet



TYPE	QUANTITIES PCS/reel	TYPE	QUANTITIES PCS/reel
JDO1608	2500 or 750	JDO3340	250
JDO3310	1500	JDO5022	500
JDO3316	1000	XXX	XXX