

SMD POWER INDUCTOR

JS 2D~3D SERIES



FEATURES/APPLICATOINS

- .Carrier tape packing use for SMT
- .Small product,quadrate,Width:3.0mm~7.0mm Height:1.2mm~4.0mm
- .Magnetically shielded construction
- .Suitable for reflow SMT craft soldering
- .Lead free products, RoHS compliant
- .Widely use in Digital products & Scanner/DC-DC converter/Power supply for VTP/LCD monitor/portable terminal equipment/Telecommunications/Notebook and PC Peripheral equipments etc

PRODUCT INDICATION

JS 3D16 – 4R7 M

①

②

③

④

① External dimension: Quadrate, 3D for Width 3.2Max

16 for Height 1.8Max

② Electrical code: 4R7 for 4.7 μ H

③ Tolerance: K for $\pm 10\%$; M for $\pm 20\%$; N for $\pm 30\%$

Page

JS2D09.....	3
JS2D11.....	4
JS2D14.....	5
JS2D18.....	6
JS3D16.....	7
JS3D18.....	8
JS3D28.....	9

■ Notes:

●

Inductance instrument: HP4286A/CH1062A or LCR Meter equivalent.

●

Inductance testing condition: 100KHz/1KHz.

●

DCR instrument: TH2512B or DCR test equipment equivalent .

●

Rated Current test: VR7210&VR113H.

●

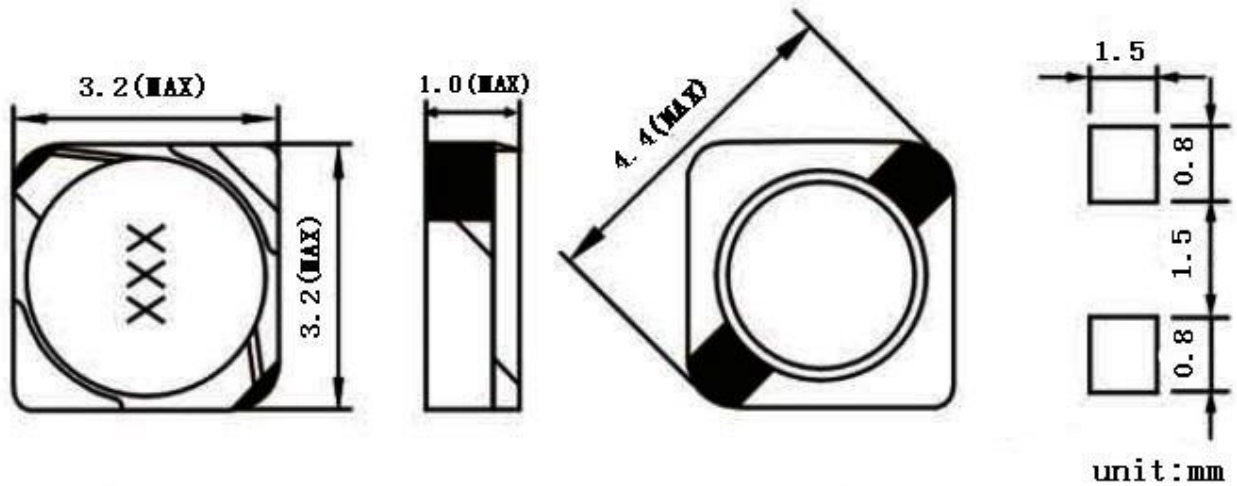
Rated Current definition: Inductance drop by 25% or temperature rise by 40 $^{\circ}$ C ,
the lesser of the minimum as the rated current.

●

Temperature storage range: -25 $^{\circ}$ C~80 $^{\circ}$ C; the relative humidity: RH65%~85%.

JS2D09

SIZE AND DIMENSIONS



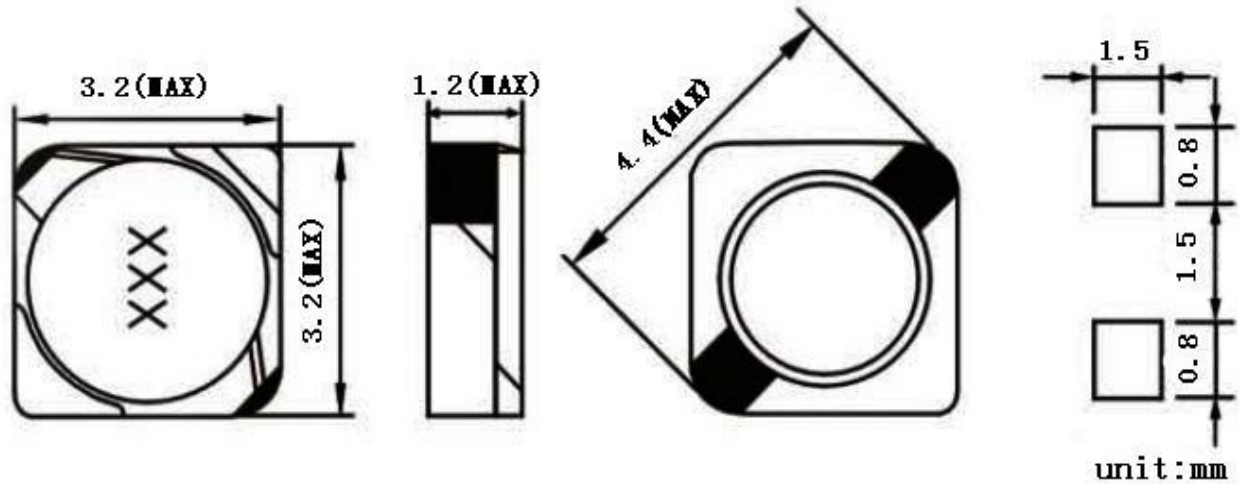
Electrical Characteristics JS2D09 Series

Part NO	Test Condition	Inductance(μ H)	Tolerance(%)	DC Resistance(Ω)Max	Rated Current(A)Max
JS2D09-1R0M	100KHz/0.1V	1.0	± 20	0.098	0.80
JS2D09-1R5M	100KHz/0.1V	1.5	± 20	0.110	0.73
JS2D09-1R8M	100KHz/0.1V	1.8	± 20	0.131	0.65
JS2D09-2R2M	100KHz/0.1V	2.2	± 20	0.144	0.60
JS2D09-2R7M	100KHz/0.1V	2.7	± 20	0.150	0.53
JS2D09-3R3M	100KHz/0.1V	3.3	± 20	0.194	0.47
JS2D09-3R9M	100KHz/0.1V	3.9	± 20	0.225	0.45
JS2D09-4R7M	100KHz/0.1V	4.7	± 20	0.288	0.41
JS2D09-5R6M	100KHz/0.1V	5.6	± 20	0.325	0.37
JS2D09-6R8M	100KHz/0.1V	6.8	± 20	0.425	0.33
JS2D09-8R2M	100KHz/0.1V	8.2	± 20	0.472	0.30
JS2D09-100M	100KHz/0.1V	10.0	± 20	0.538	0.28

Special inquiries besides the above common used types can be meet

JS2D11

SIZE AND DIMENSIONS



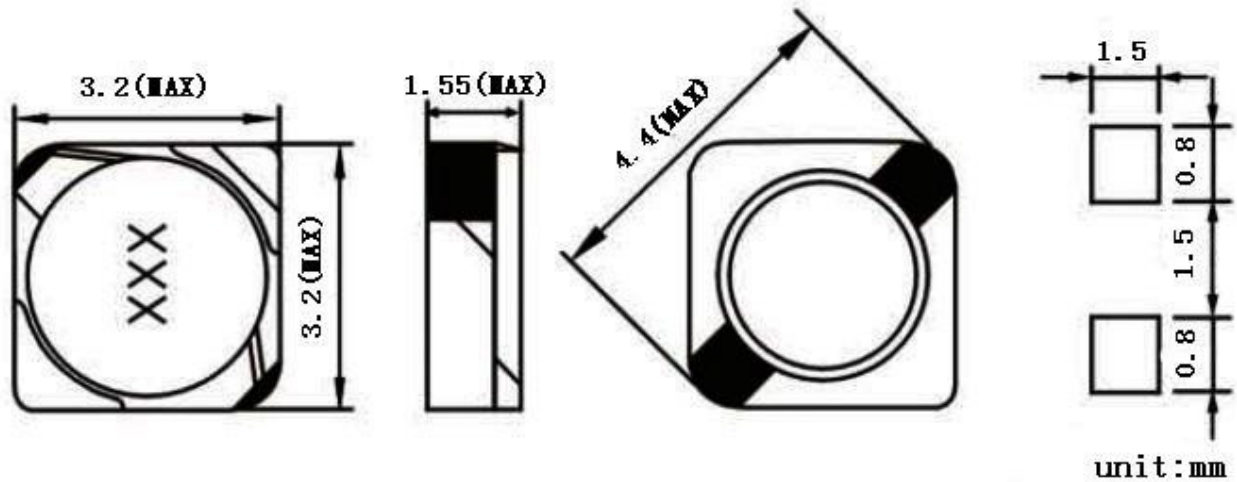
Electrical Characteristics JS2D11 Series

Part NO	Test Condition	Inductance(μ H)	Tolerance(%)	DC Resistance(Ω)Max	Rated Current(A)Max
JS2D11-1R5N	100KHz/0.1V	1.5	± 30	0.068	0.90
JS2D11-2R2N	100KHz/0.1V	2.2	± 30	0.098	0.78
JS2D11-3R3N	100KHz/0.1V	3.3	± 30	0.123	0.60
JS2D11-4R7N	100KHz/0.1V	4.7	± 30	0.17	0.50
JS2D11-6R8N	100KHz/0.1V	6.8	± 30	0.26	0.44
JS2D11-100N	100KHz/0.1V	10.0	± 30	0.40	0.35
JS2D11-150M	100KHz/0.1V	15.0	± 20	0.65	0.25
JS2D11-220M	100KHz/0.1V	22.0	± 20	1.00	0.22
JS2D11-330M	100KHz/0.1V	33.0	± 20	1.60	0.20
JS2D11-470M	100KHz/0.1V	47.0	± 20	2.00	0.15

Special inquiries besides the above common used types can be meet

JS2D14

SIZE AND DIMENSIONS



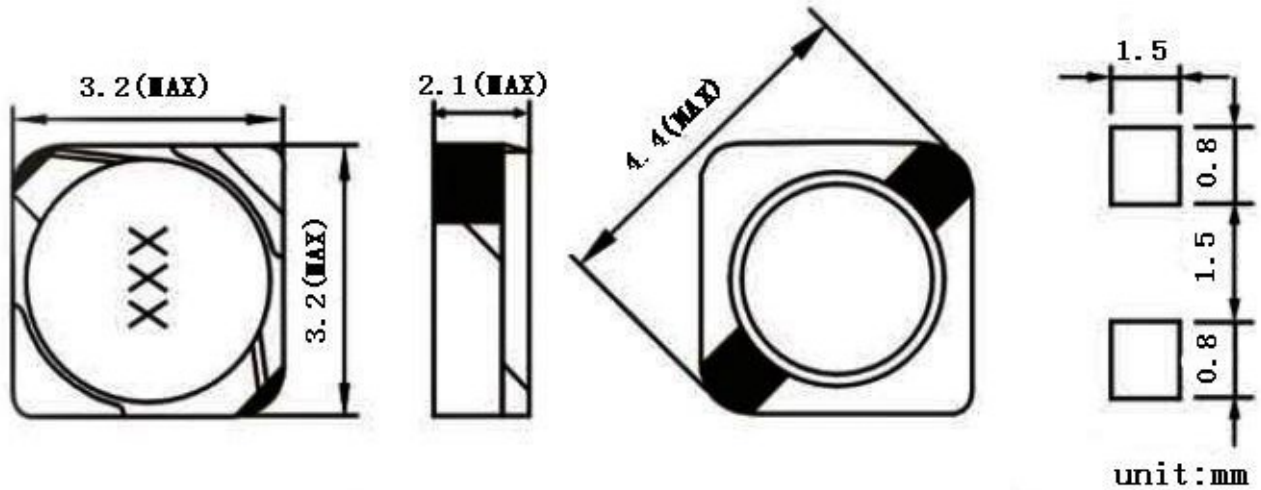
Electrical Characteristics JS2D14 Series

Part NO	Test Condition	Inductance(μ H)	Tolerance(%)	DC Resistance(Ω)Max	Rated Current(A)Max
JS2D14-1R5N	100KHz/0.1V	1.5	± 30	0.063	1.80
JS2D14-1R8N	100KHz/0.1V	1.8	± 30	0.075	1.65
JS2D14-2R2N	100KHz/0.1V	2.2	± 30	0.094	1.50
JS2D14-2R7N	100KHz/0.1V	2.7	± 30	0.106	1.35
JS2D14-3R3N	100KHz/0.1V	3.3	± 30	0.125	1.20
JS2D14-3R9N	100KHz/0.1V	3.9	± 30	0.138	1.10
JS2D14-4R7N	100KHz/0.1V	4.7	± 30	0.169	1.00
JS2D14-5R6N	100KHz/0.1V	5.6	± 30	0.188	0.95
JS2D14-6R8N	100KHz/0.1V	6.8	± 30	0.213	0.85
JS2D14-8R2N	100KHz/0.1V	8.2	± 30	0.281	0.80
JS2D14-100N	100KHz/0.1V	10.0	± 30	0.294	0.70
JS2D14-120N	100KHz/0.1V	12.0	± 30	0.394	0.62

Special inquiries besides the above common used types can be meet

JS2D18

SIZE AND DIMENSIONS



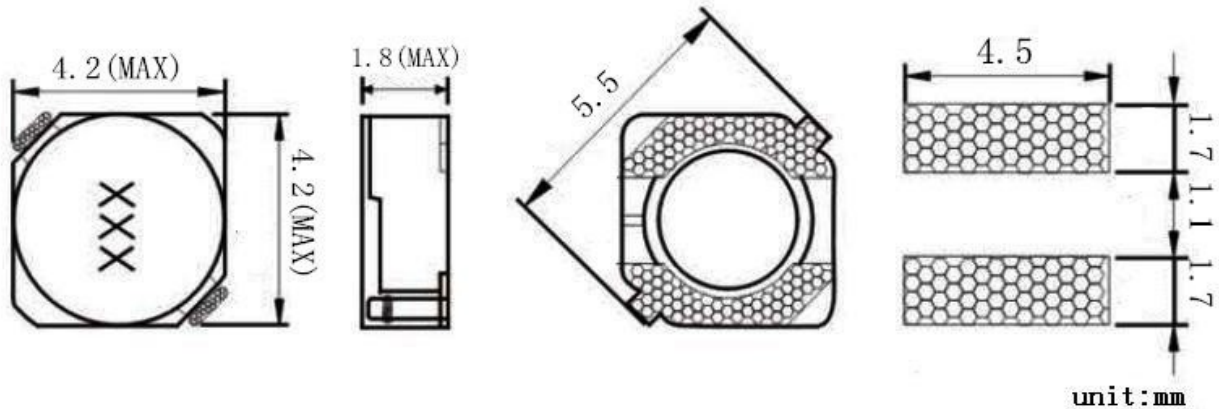
Electrical Characteristics JS2D18 Series

Part NO	Test Condition	Inductance(μ H)	Tolerance(%)	DC Resistance(Ω)Max	Rated Current(A)Max
JS2D18-2R2M	100KHz/0.1V	2.2	± 20	0.041	1.70
JS2D18-3R3M	100KHz/0.1V	3.3	± 20	0.054	1.32
JS2D18-4R7M	100KHz/0.1V	4.7	± 20	0.078	1.20
JS2D18-6R8M	100KHz/0.1V	6.8	± 20	0.106	1.05
JS2D18-100M	100KHz/0.1V	10.0	± 20	0.180	0.88
JS2D18-150M	100KHz/0.1V	15.0	± 20	0.220	0.70
JS2D18-220M	100KHz/0.1V	22.0	± 20	0.320	0.58
JS2D18-330M	100KHz/0.1V	33.0	± 20	0.460	0.50
JS2D18-470M	100KHz/0.1V	47.0	± 20	0.660	0.43

Special inquiries besides the above common used types can be meet

JS3D16

SIZE AND DIMENSIONS



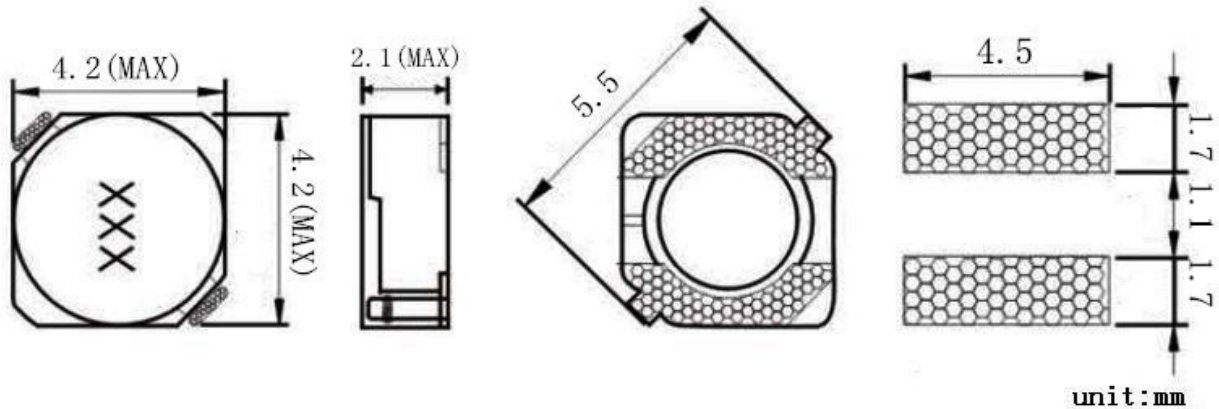
Electrical Characteristics JS3D16 Series

Part NO	Test Condition	Inductance(μH)	Tolerance(%)	DC Resistance(Ω)Max	Rated Current(A)Max
JS3D16-1R0N	100KHz/0.1V	1.0	±30	0.039	2.35
JS3D16-1R5N	100KHz/0.1V	1.5	±30	0.052	2.00
JS3D16-2R2N	100KHz/0.1V	2.2	±30	0.072	1.75
JS3D16-3R3N	100KHz/0.1V	3.3	±30	0.085	1.40
JS3D16-4R7M	100KHz/0.1V	4.7	±20	0.105	1.20
JS3D16-6R8M	100KHz/0.1V	6.8	±20	0.170	1.00
JS3D16-8R2M	100KHz/0.1V	8.2	±20	0.195	0.88
JS3D16-100M	100KHz/0.1V	10.0	±20	0.210	0.84
JS3D16-120M	100KHz/0.1V	12.0	±20	0.270	0.70
JS3D16-150M	100KHz/0.1V	15.0	±20	0.295	0.65
JS3D16-180M	100KHz/0.1V	15.0	±20	0.416	0.59
JS3D16-220M	100KHz/0.1V	22.0	±20	0.430	0.55
JS3D16-330M	100KHz/0.1V	33.0	±20	0.660	0.46
JS3D16-390M	100KHz/0.1V	39.0	±20	0.820	0.41
JS3D16-470M	100KHz/0.1V	47.0	±20	0.985	0.38

Special inquiries besides the above common used types can be meet

JS3D18

SIZE AND DIMENSIONS



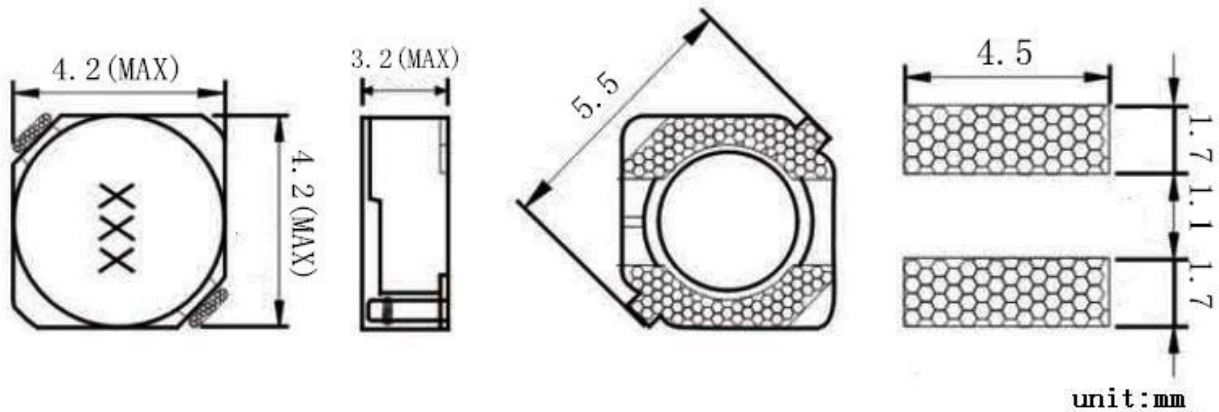
Electrical Characteristics JS3D18 Series

Part NO	Test Condition	Inductance(μ H)	Tolerance(%)	DC Resistance(Ω)Max	Rated Current(A)Max
JS3D18-3R0N	100KHz/0.1V	3.0	± 30	0.069	1.60
JS3D18-4R7M	100KHz/0.1V	4.7	± 20	0.108	1.35
JS3D18-6R8M	100KHz/0.1V	6.8	± 20	0.150	1.10
JS3D18-100M	100KHz/0.1V	10.0	± 20	0.205	0.90
JS3D18-150M	100KHz/0.1V	15.0	± 20	0.301	0.75
JS3D18-220M	100KHz/0.1V	22.0	± 20	0.424	0.60
JS3D18-330M	100KHz/0.1V	33.0	± 20	0.640	0.50
JS3D18-470M	100KHz/0.1V	47.0	± 20	0.964	0.40

Special inquiries besides the above common used types can be meet

JS3D28

SHAPE AND DIMENSIONS



Electrical Characteristics JS3D28 Series

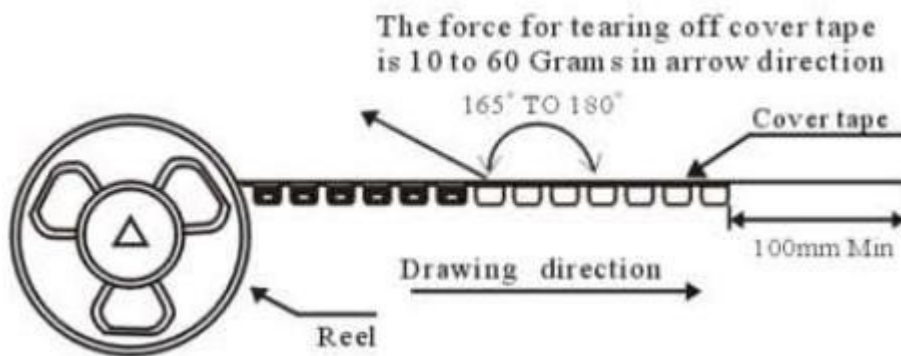
Part NO	Test Condition	Inductance(μ H)	Tolerance(%)	DC Resistance(Ω)Max	Rated Current(A)Max
JS3D28-1R0M	100KHz/0.1V	10	± 20	0.028	2.7
JS3D28-1R5M	100KHz/0.1V	15	± 20	0.035	2.5
JS3D28-2R2M	100KHz/0.1V	10	± 20	0.04	2.2
JS3D28-3R3M	100KHz/0.1V	12	± 20	0.045	2.2
JS3D28-3R9M	100KHz/0.1V	15	± 20	0.055	1.9
JS3D28-4R7M	100KHz/0.1V	10	± 20	0.068	1.7
JS3D28-5R6M	100KHz/0.1V	15	± 20	0.075	1.5
JS3D28-6R8M	100KHz/0.1V	12	± 20	0.08	1.25
JS3D28-8R2M	100KHz/0.1V	15	± 20	0.085	1.2
JS3D28-100M	100KHz/0.1V	10	± 20	0.092	1.05
JS3D28-120M	100KHz/0.1V	12	± 20	0.1	0.95
JS3D28-150M	100KHz/0.1V	15	± 20	0.113	0.9
JS3D28-180M	100KHz/0.1V	18	± 20	0.125	0.82
JS3D28-220M	100KHz/0.1V	22	± 20	0.146	0.76
JS3D28-270M	100KHz/0.1V	27	± 20	0.176	0.7
JS3D28-330M	100KHz/0.1V	33	± 20	0.214	0.63

Special inquiries besides the above common used types can be meet

Electrical Characteristics JS3D28 Series

Part NO	Test Condition	Inductance(μ H)	Tolerance(%)	DC Resistance(Ω)Max	Rated Current(A)Max
JS3D28-390M	100KHz/0.1V	39	± 20	0.225	0.54
JS3D28-470M	100KHz/0.1V	47	± 20	0.304	0.48
JS3D28-560M	100KHz/0.1V	56	± 20	0.324	0.42
JS3D28-680M	100KHz/0.1V	68	± 20	0.472	0.4
JS3D28-820M	100KHz/0.1V	82	± 20	0.539	0.38
JS3D28-101M	100KHz/0.1V	100	± 20	0.608	0.35
JS3D28-121M	100KHz/0.1V	120	± 20	0.757	0.3
JS3D28-151M	100KHz/0.1V	150	± 20	0.882	0.28
JS3D28-181M	100KHz/0.1V	180	± 20	1.13	0.25
JS3D28-221M	100KHz/0.1V	220	± 20	1.269	0.23

Special inquiries besides the above common used types can be meet



TYPE	QUANTITIES PCS/reel	TYPE	QUANTITIES PCS/reel
JS2D09	1000 or 4000	JS3D16	3000
JS2D11	1000 or 4000	JS3D18	3000
JS2D14	1000 or 4000	JS3D28	2000
JS2D18	1000 or 4000	XXX	XXX