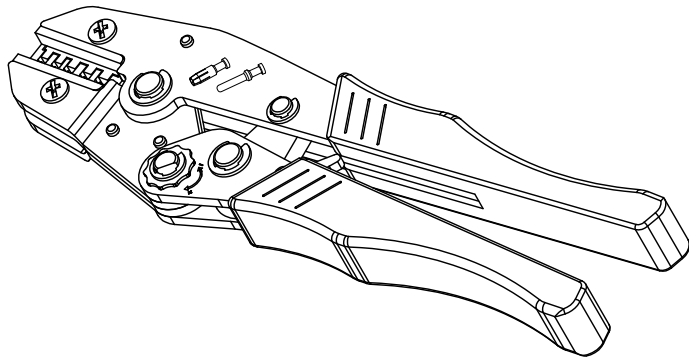
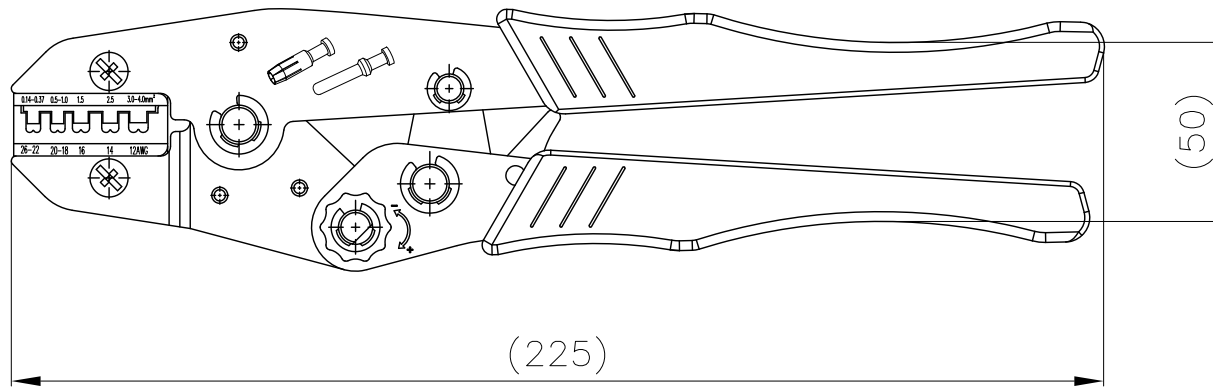



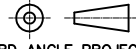

| REVISION RECORD | | | | |
|-----------------|-----|-------------|------|------|
| REV | ECN | DESCRIPTION | DRFT | DATE |
| | | | | |

H
G
F
E
D
C
B
A

H
G
F
E
D
C
B
A



Crimping tool
 01. Wire gauge : 0.37-4.0mm²
 02. AWG : 22-12

| | | | | | |
|---|--|-------------------------|-------|-------|---|
| DETACHED LISTS | PART NO.: | / | | |  宁波高松电子有限公司 NINGBO DEGSON ELECTRICAL CO., LTD |
| | APPD: | NAME: | | | |
| | CHKD: | TL1-4.0 | | | |
| | DRFT: Mr. Yang 2016.08.08 | TITLE: CUSTOMER DRAWING | REV | DO | |
|  THIRD ANGLE PROJECTION | DRAWING NO.: | / | | SHEET | 1/1 |
| |  MM (INCH) | DO NOT SCALE DRAWING | SCALE | 1:1.5 | |