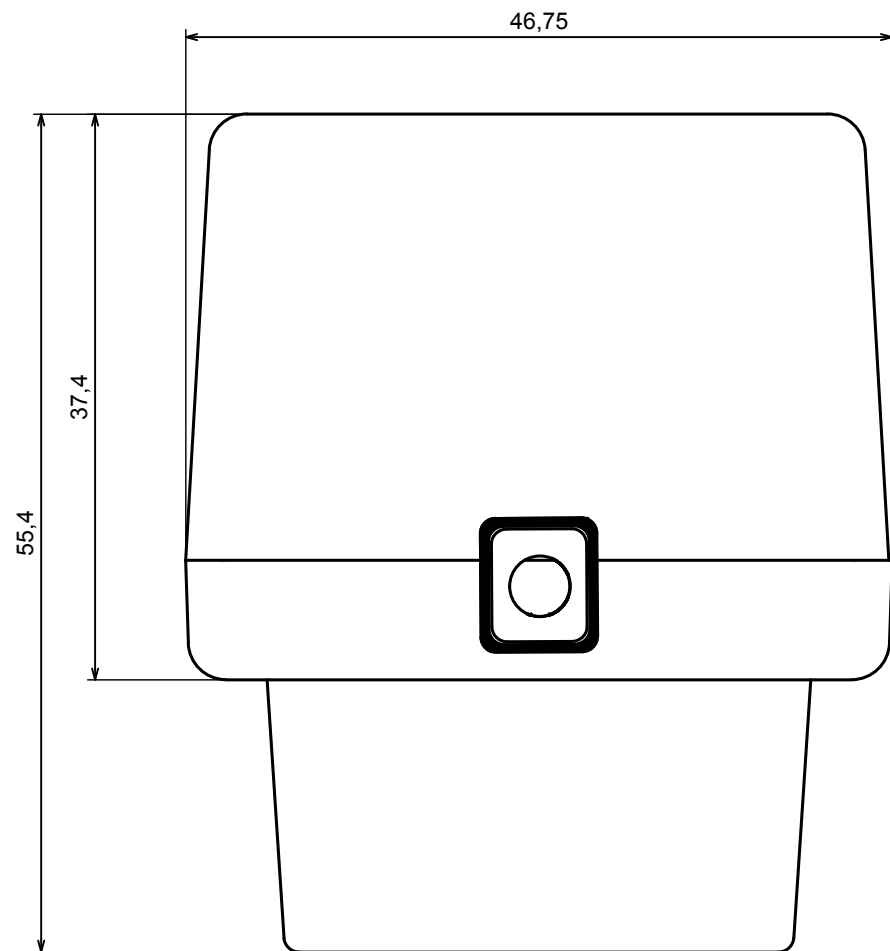
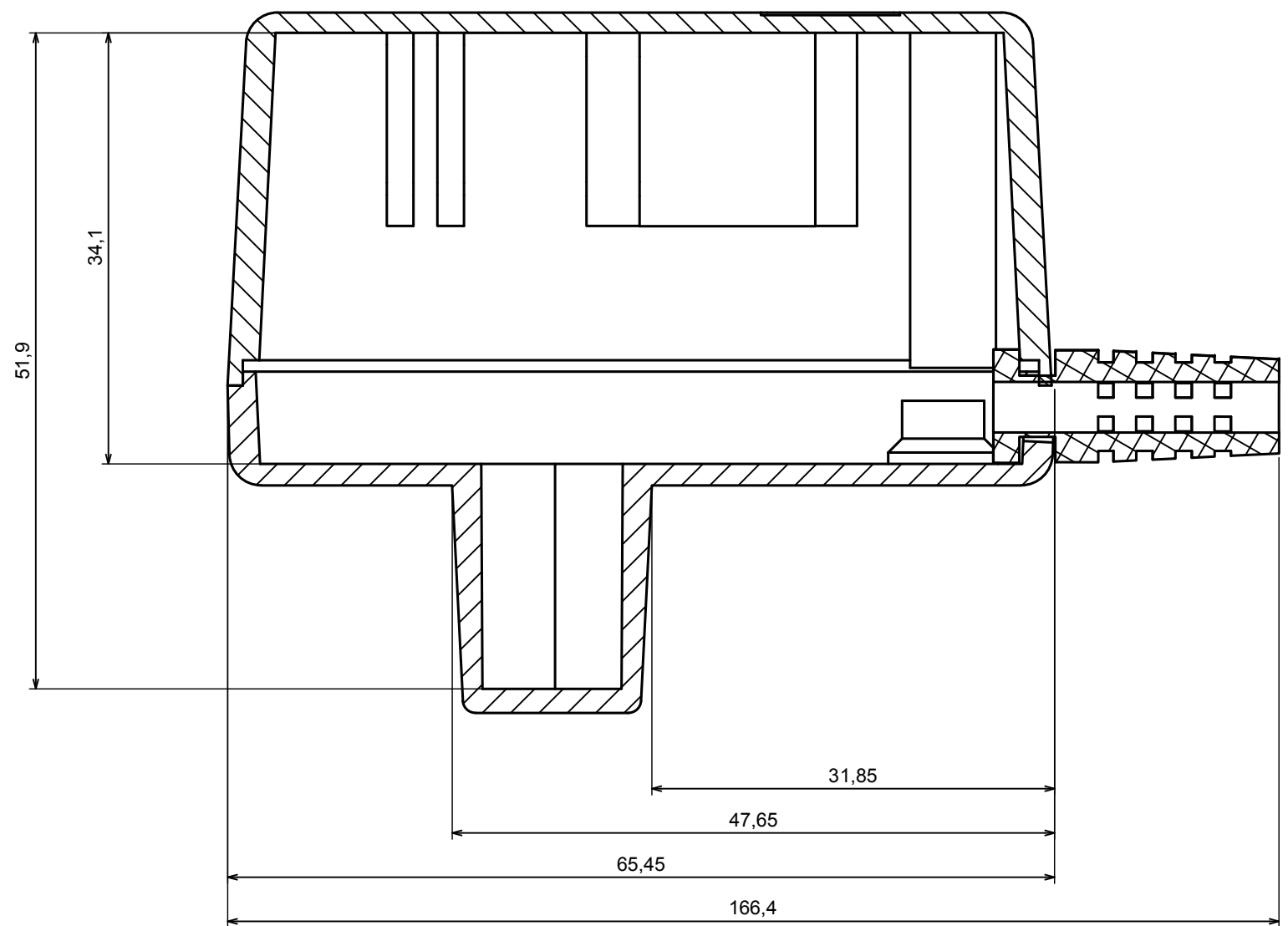



A |

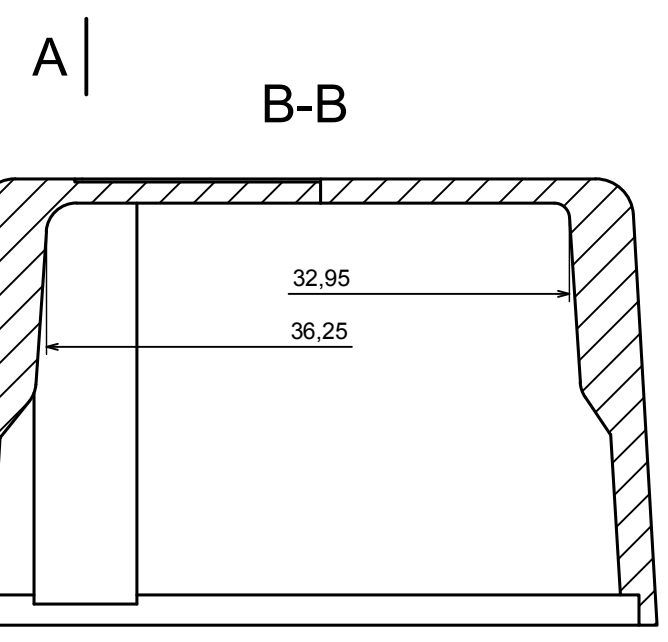
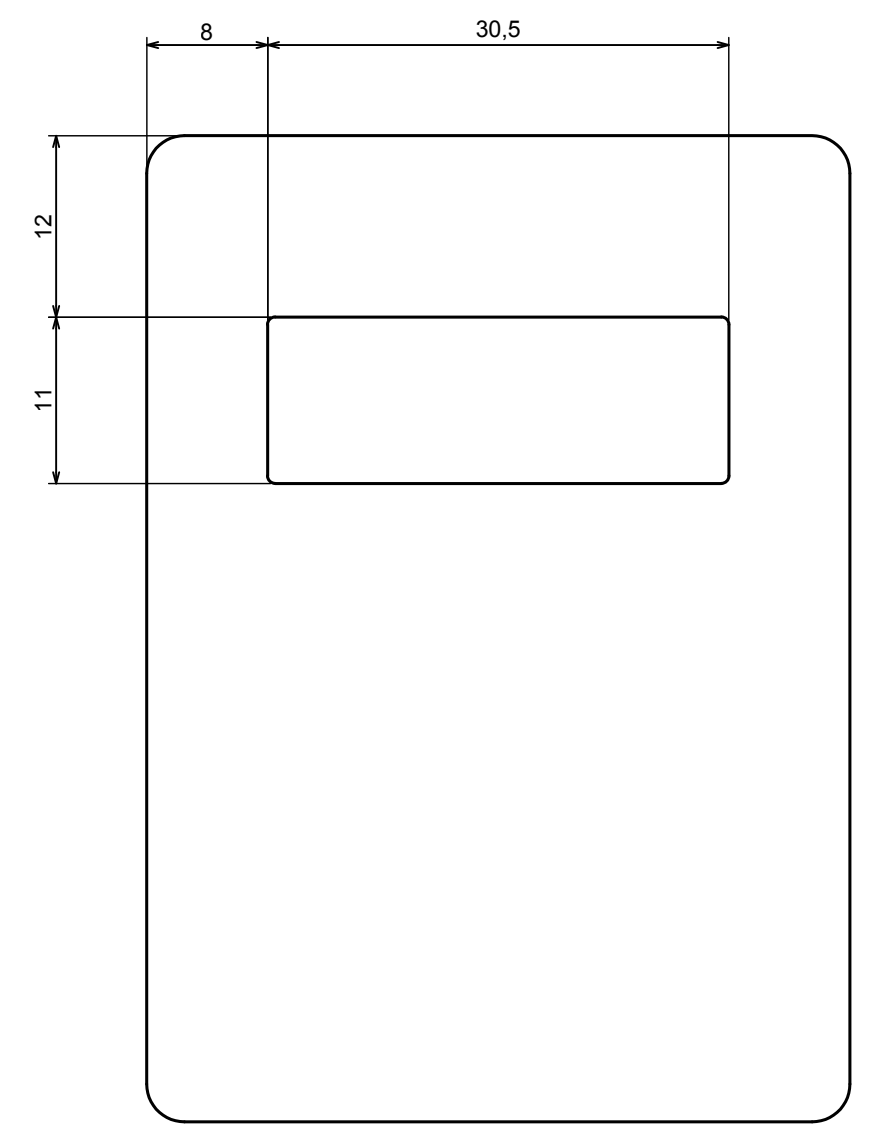
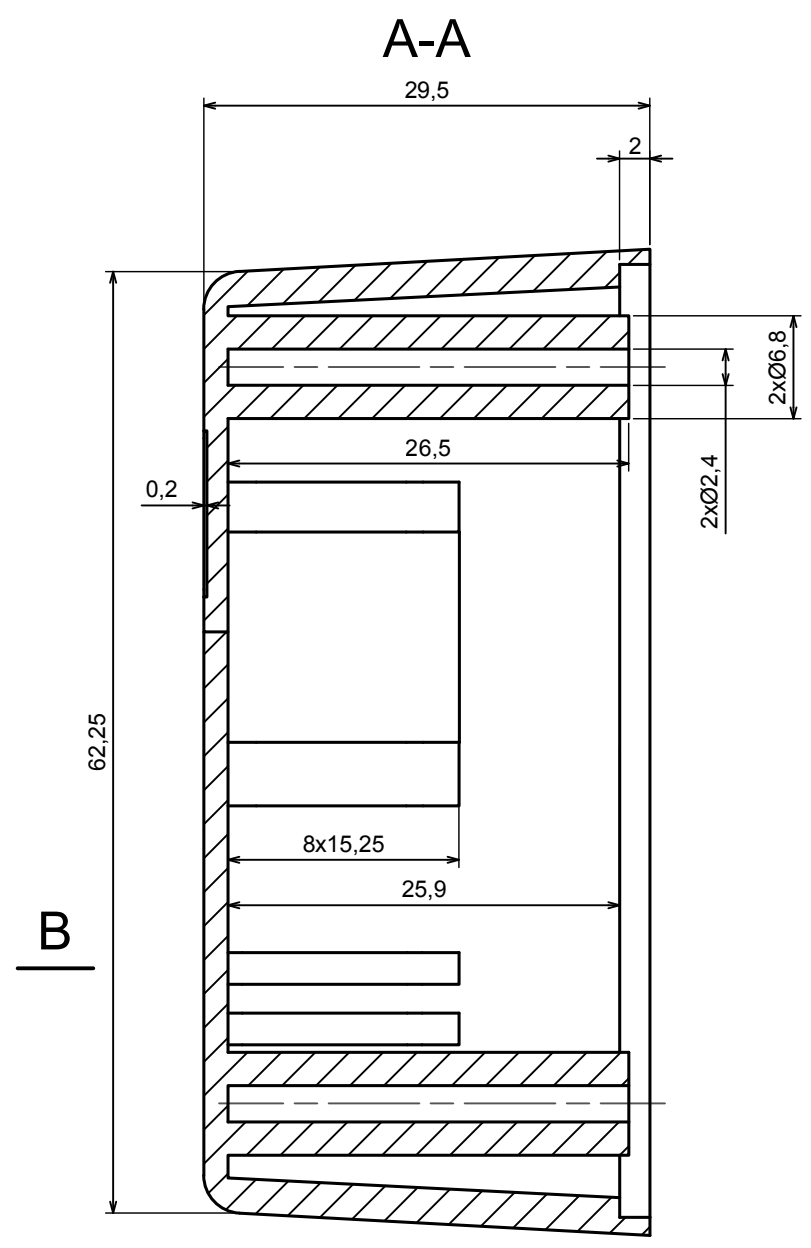
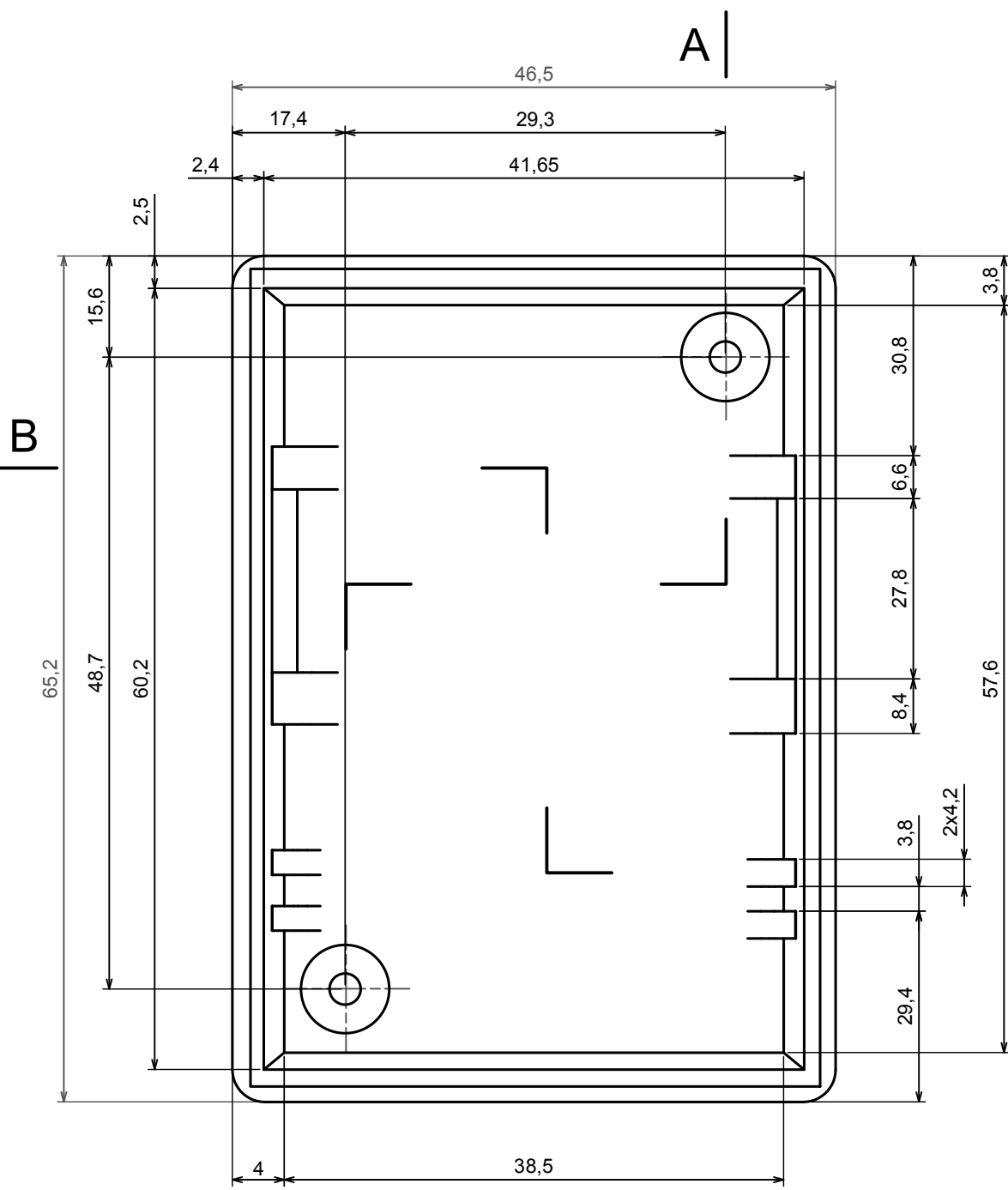


A-A



A |

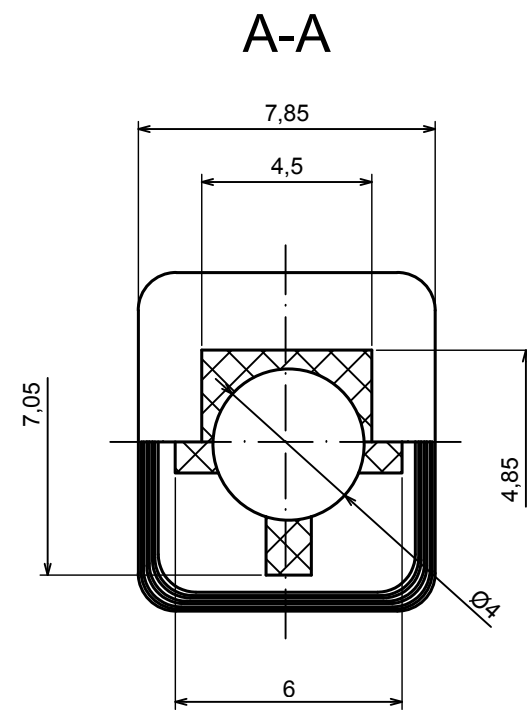
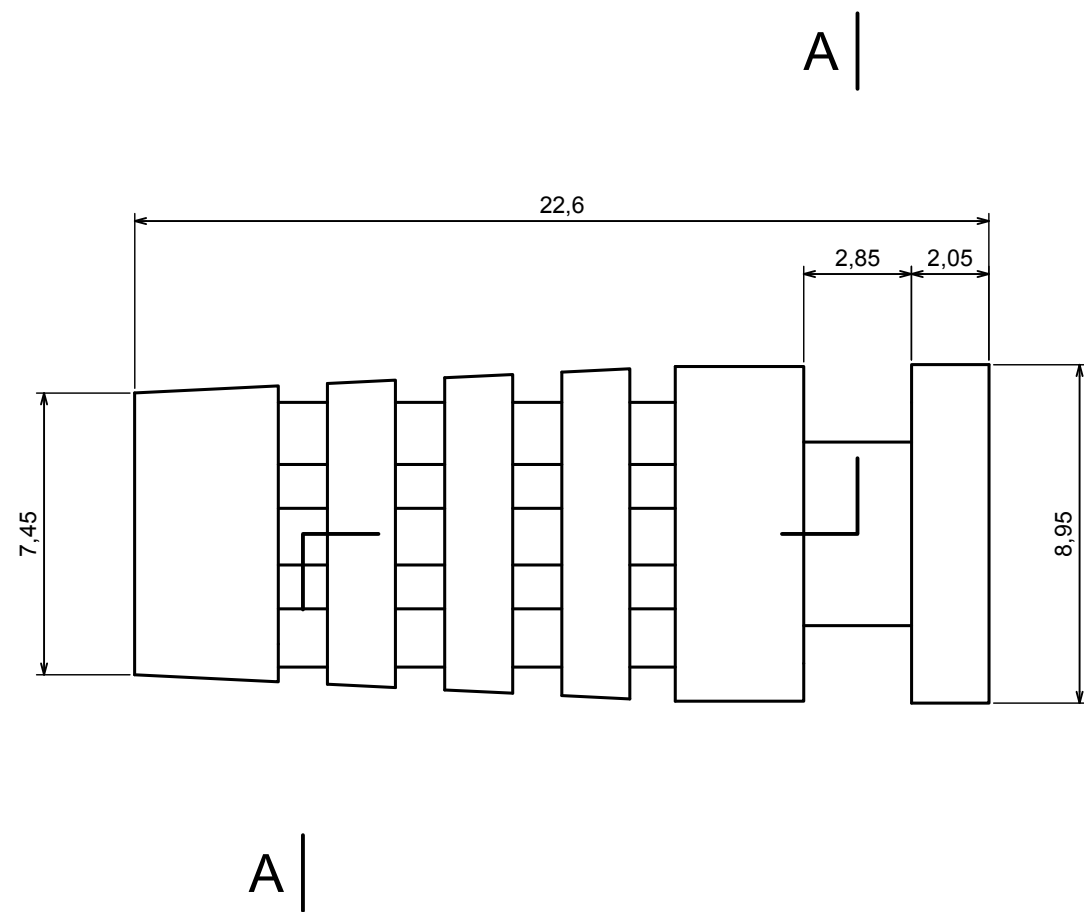
|  |                          |   |
|--|--------------------------|---|
| All rights reserved, Copyright Kradox 2017 |                          |   |
| Product model                              | Enclosure Z13 - Assembly |   |
| Format: A3                                 | Material: PS, ABS        |  |
| Scale 4:1                                  | Tolerance: +/- 0.8       |   |



|  |                      |
|--|----------------------|
| All rights reserved, Copyright Kradox 2017 |                      |
| Product model                              | Enclosure Z13 - Base |
| Format: A3                                 | Material: PS, ABS    |
| Scale 4:1                                  | Tolerance: +/- 0.8   |







|  |                                   |  |
|--|-----------------------------------|--|
| All rights reserved, Copyright Kradox 2017 |                                   |  |
| Product model                              | Enclosure Z13 - Bend Protector Ø4 |  |
| Format: A3                                 | Material: Rubber                  |  |
| Scale 1:1                                  | Tolerance: +/- 0.5                |  |