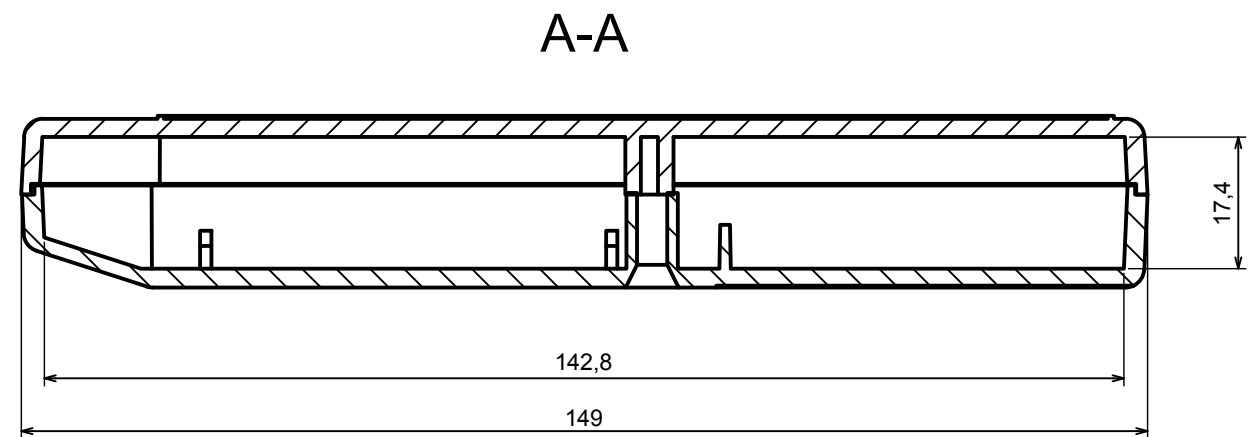


A |



All rights reserved, Copyright Kradex 2018

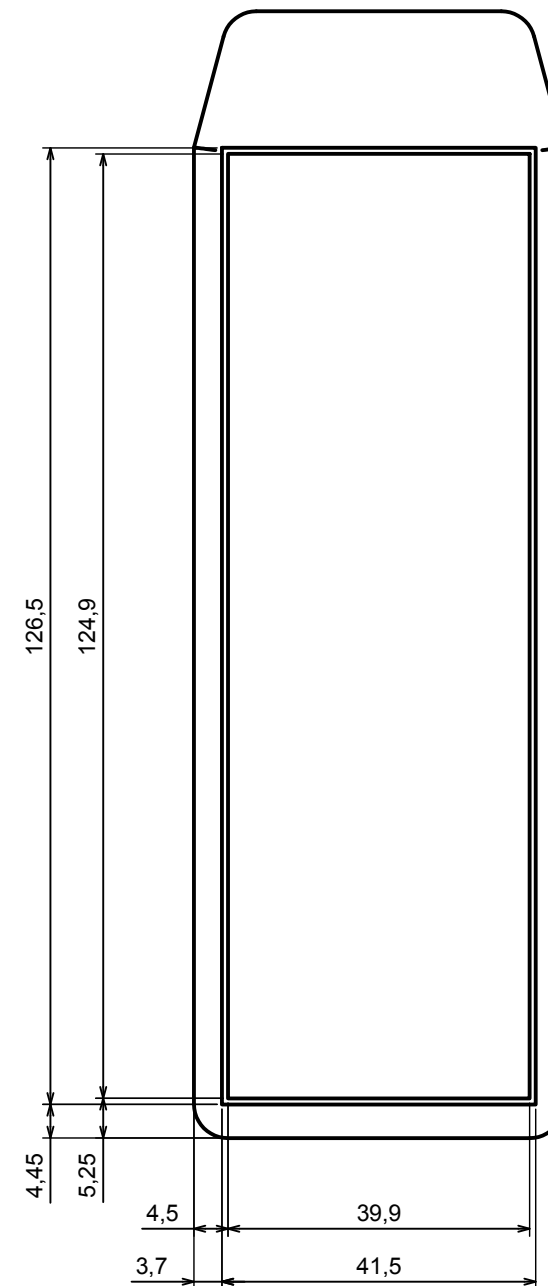
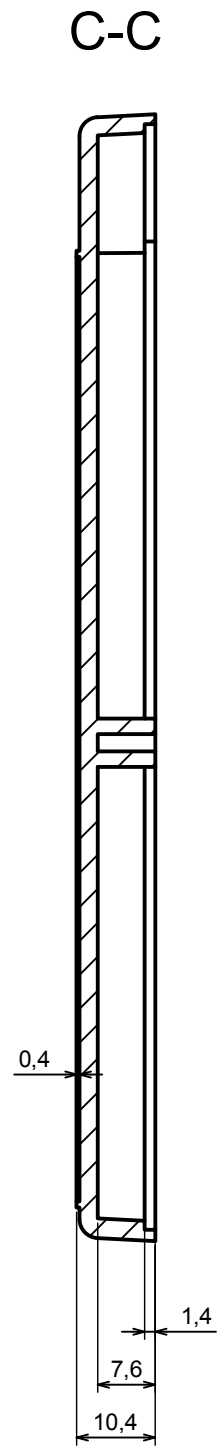
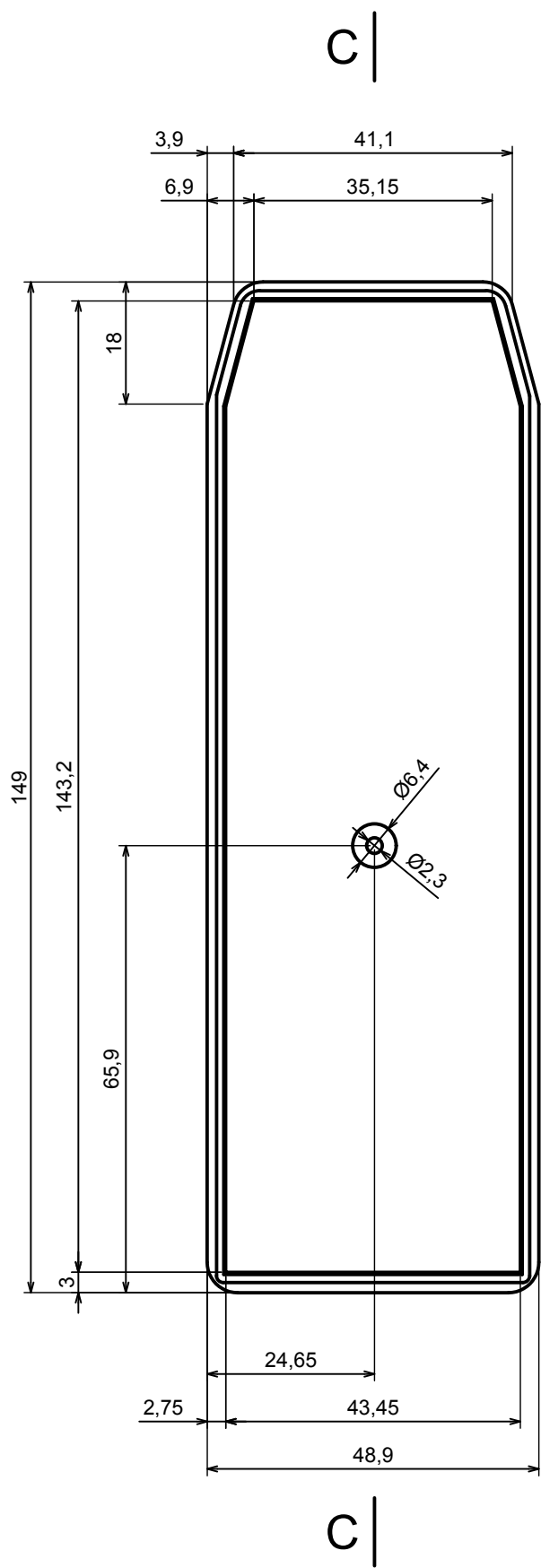
Product model Enclosure Z14 - Assembly

Format: A3 Material: PS, ABS

Scale 1:1 Tolerance: +/- 0.5







All rights reserved, Copyright Kradex 2018

Product model: Enclosure Z14 - Cover

Format: A3      Material: PS, ABS

Scale 1:1      Tolerance: +/- 0.5

