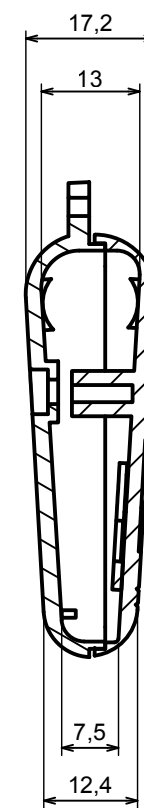


A |

A-A



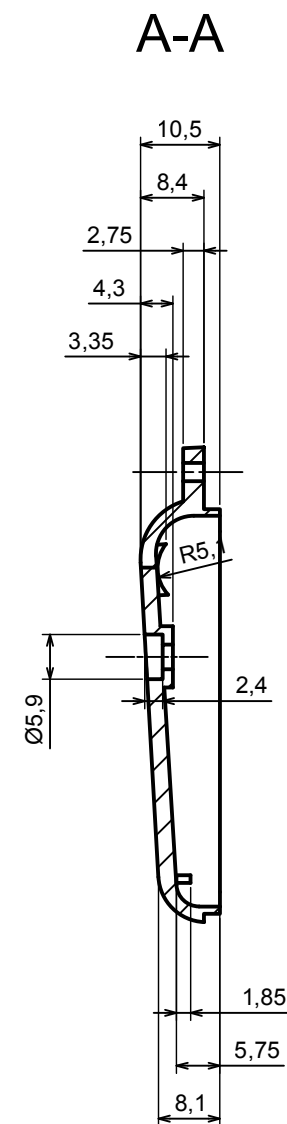
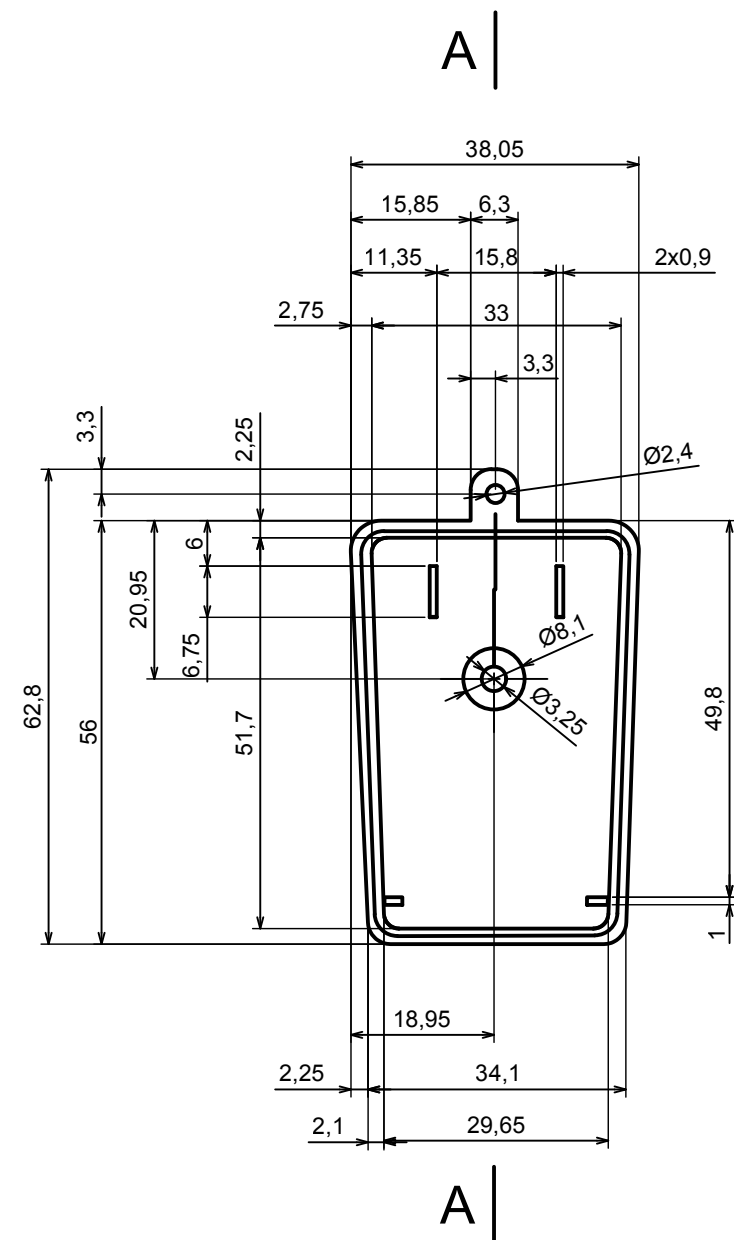
All rights reserved, Copyright Kradex 2017


Product model	Enclosure Z14B - Assembly
---------------	---------------------------

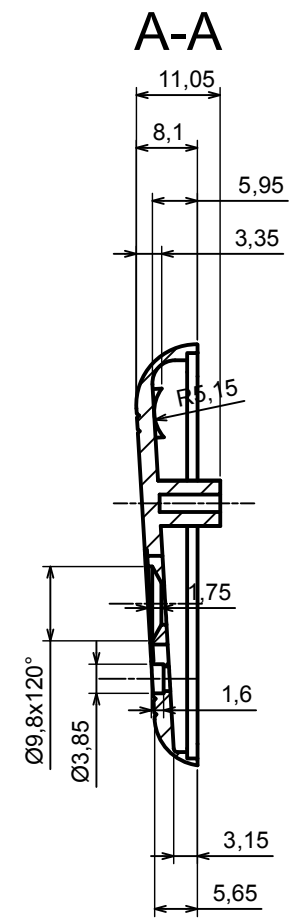
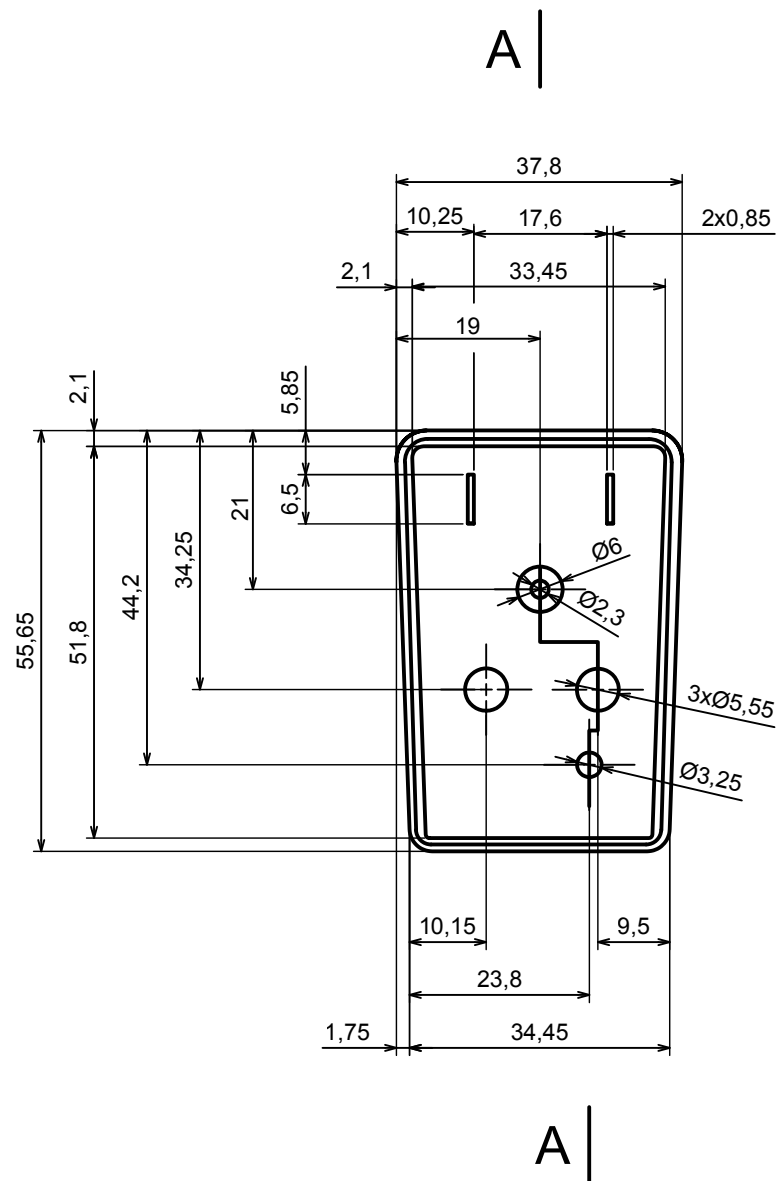
Format: A3	Material: PS, ABS
------------	-------------------

Scale 1:1	Tolerance: +/- 0.6
-----------	--------------------





All rights reserved, Copyright Kradox 2017		
Product model	Enclosure Z14B - Base	
Format: A3	Material: PS, ABS	
Scale 1:1	Tolerance: +/- 0.6	



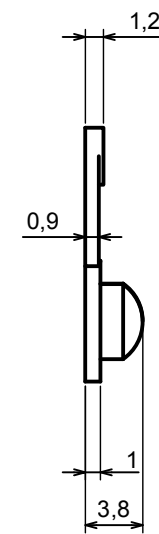
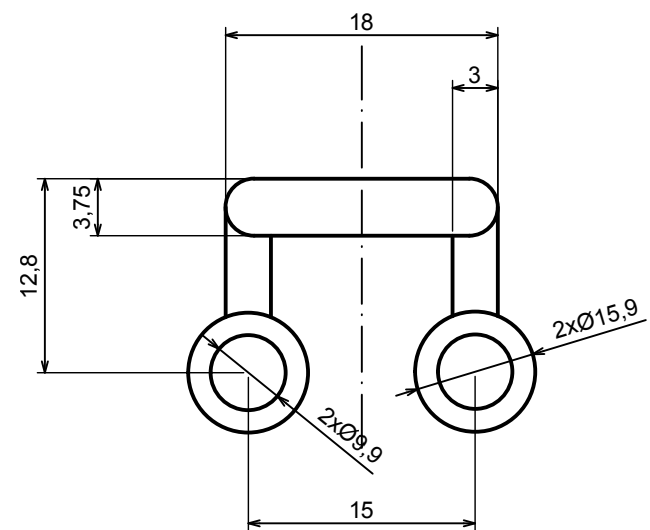
All rights reserved, Copyright Kradox 2017


Product model Enclosure Z1 - Cover

Format: A3 Material: PS, ABS

Scale 1:1 Tolerance: +/- 0.5





All rights reserved, Copyright Kradox 2017		
Product model	Enclosure Z14B - Buttons	
Format: A3	Material: PS, ABS	
Scale 2:1	Tolerance: +/- 0.6	