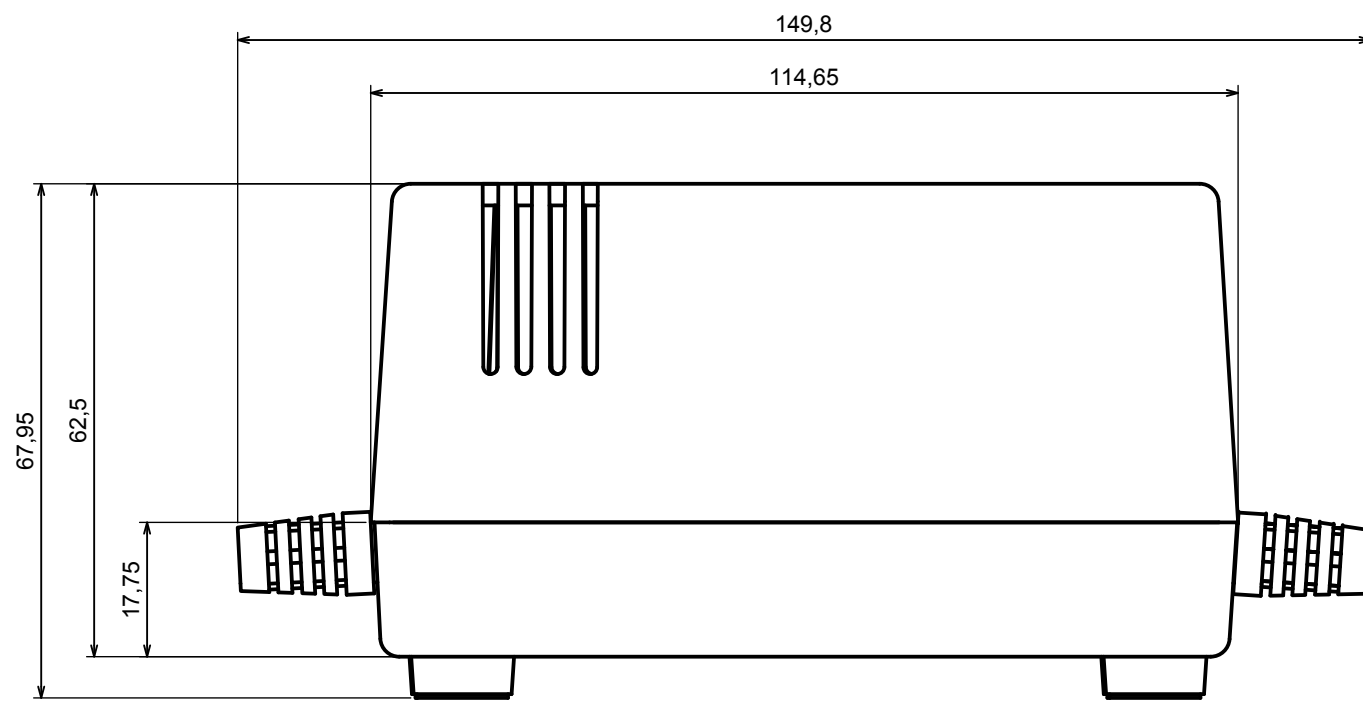
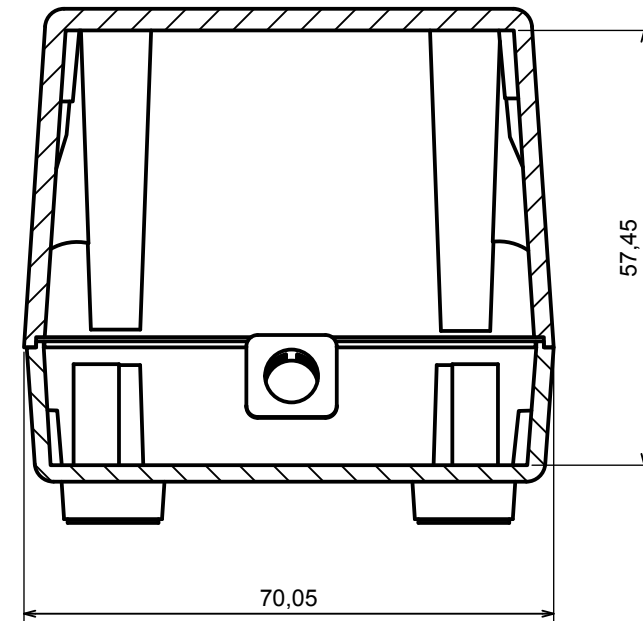


A |



A |

A-A



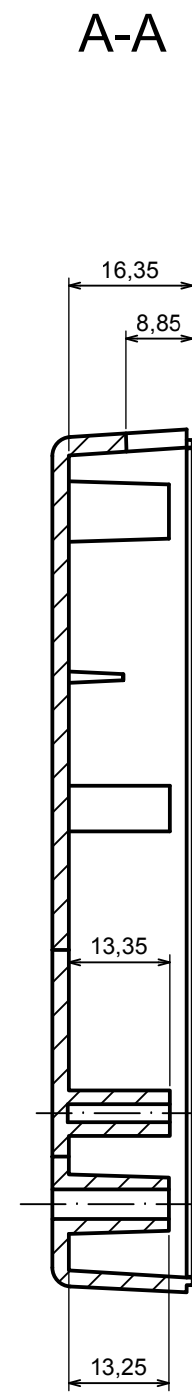
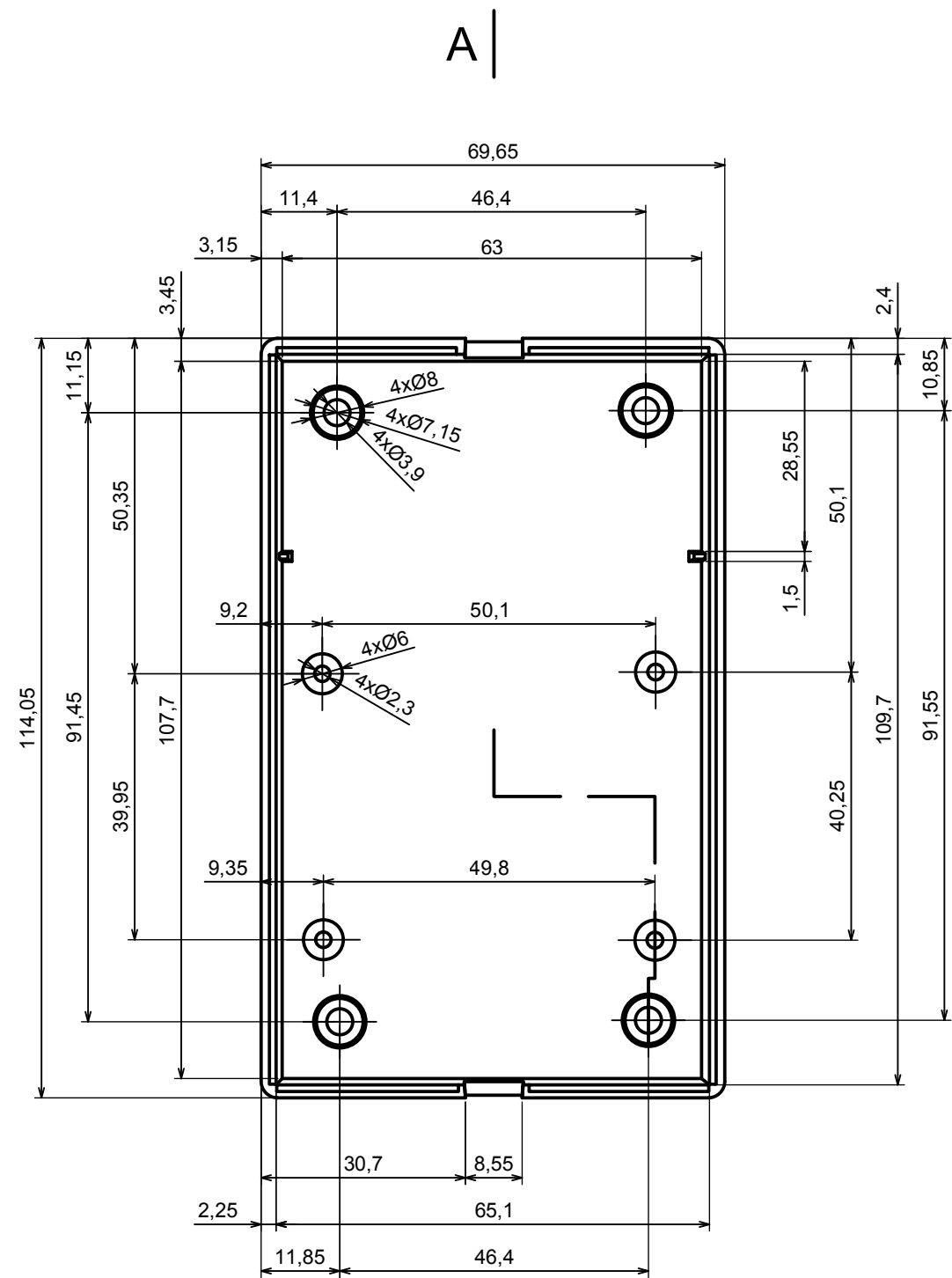
All rights reserved, Copyright Kradox 2017

Product model Enclosure Z16 - Assembly

Format: A3 Material: PS, ABS

Scale 1:1 Tolerance: +/- 0.8

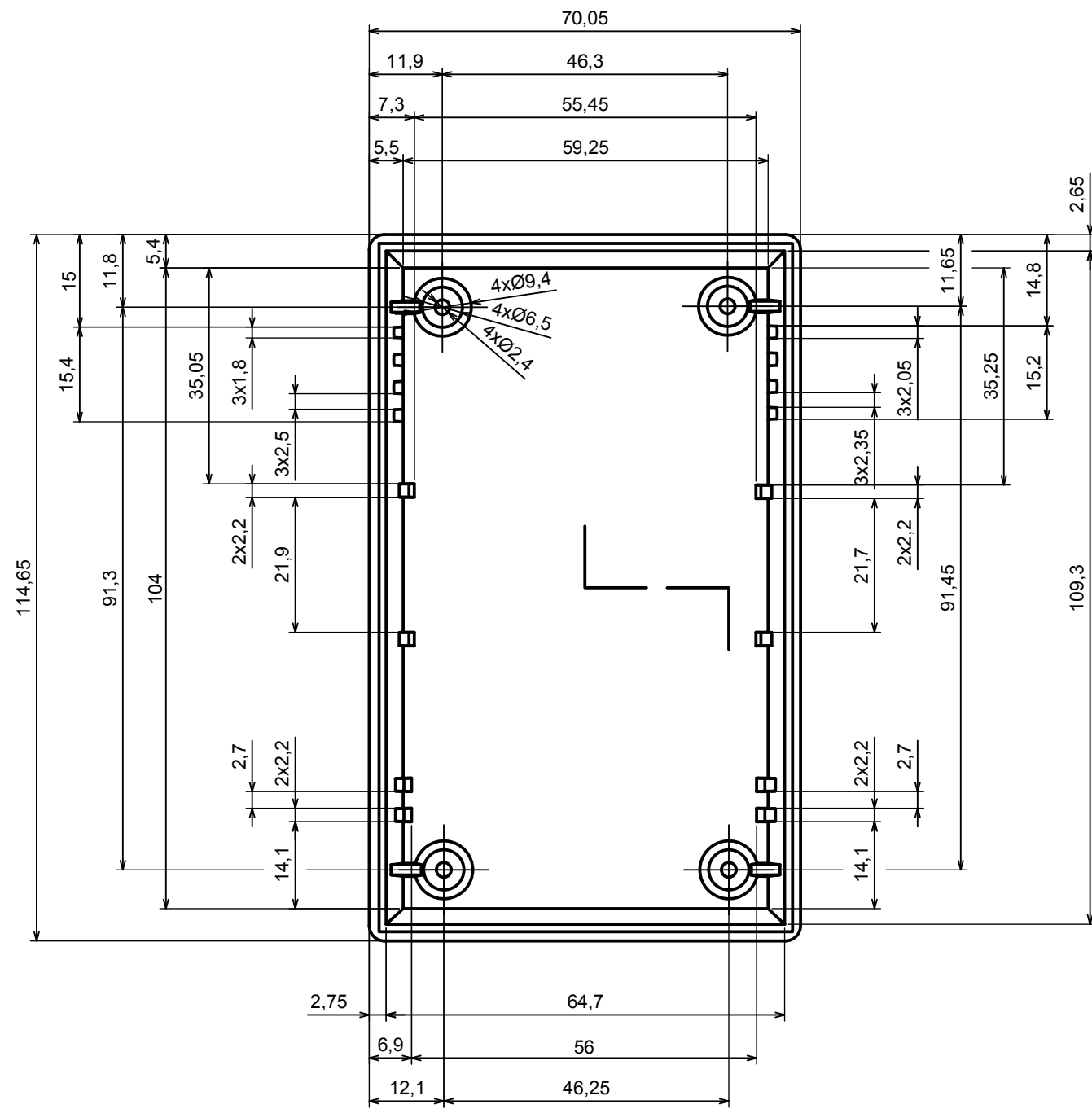




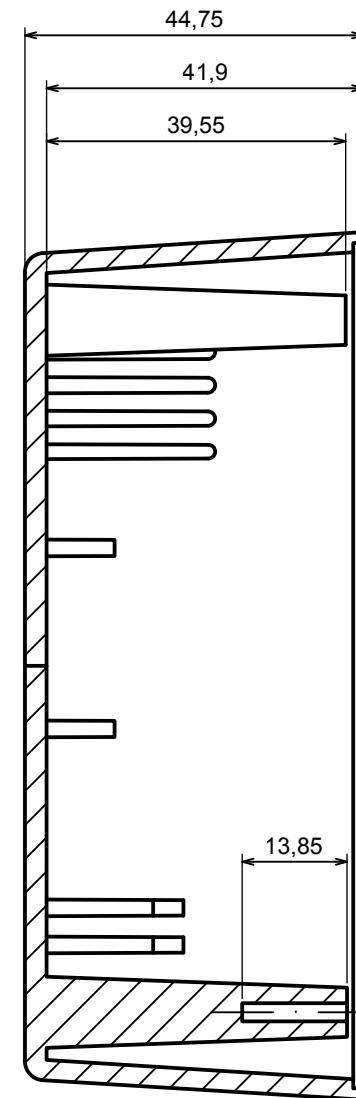
A |

All rights reserved, Copyright Kradox 2017		
Product model	Enclosure Z16 - Base	
Format: A3	Material: PS, ABS	
Scale 1:1	Tolerance: +/- 0.8	

A |



A-A



A |

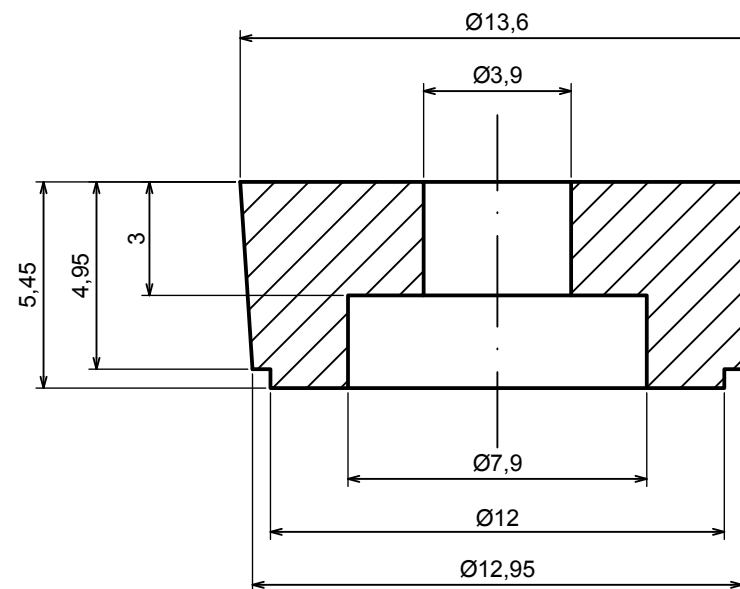
All rights reserved, Copyright Kradex 2017

Product model: Enclosure Z16 - Cover

Format: A3 Material: PS, ABS

Scale 1:1 Tolerance: +/- 0.8





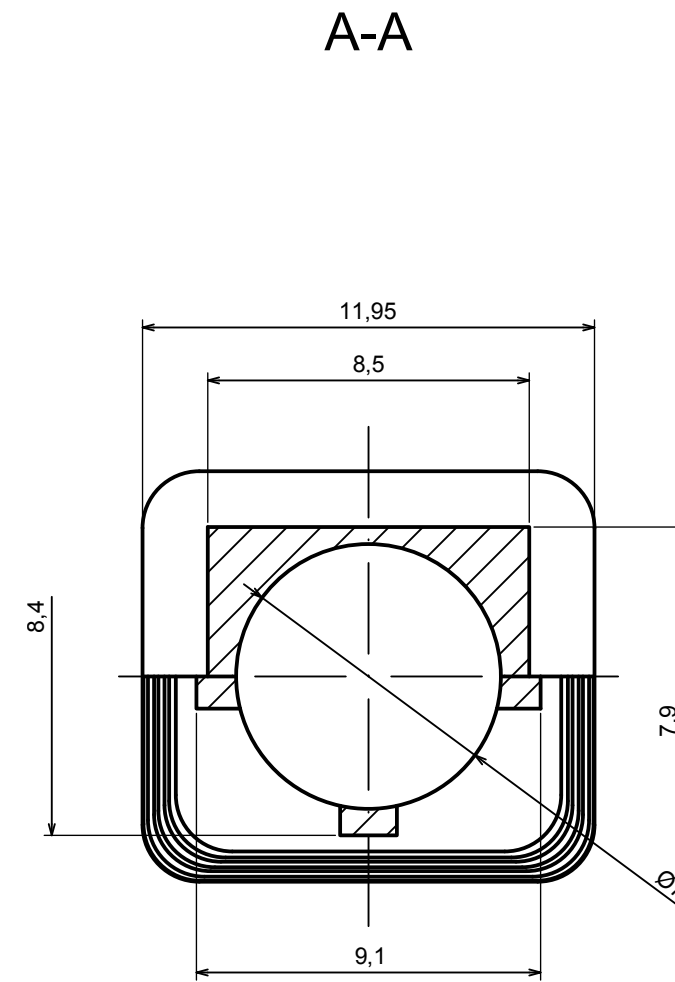
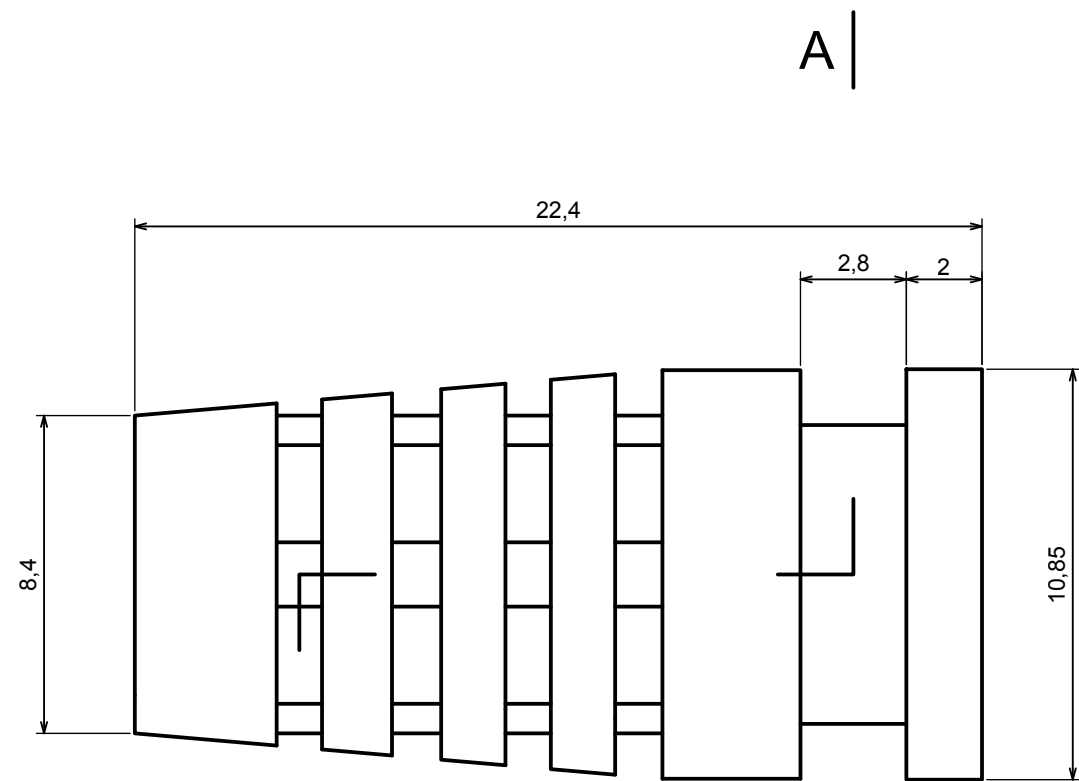
All rights reserved, Copyright Kradex 2017

Product model: Enclosure Z16 - Foot

Format: A3 Material: PS, ABS

Scale 5:1 Tolerance: +/- 0.5





A |

All rights reserved, Copyright Kradex 2017

Product model	Enclosure Z16 - Bend Protector
---------------	--------------------------------

Format: A3	Material: PS, ABS
------------	-------------------

Scale 1:1	Tolerance: +/- 0.5
-----------	--------------------

