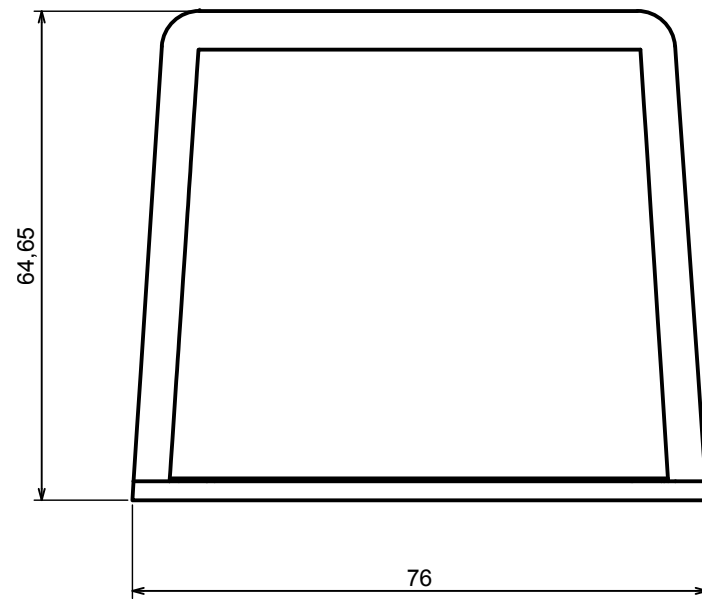
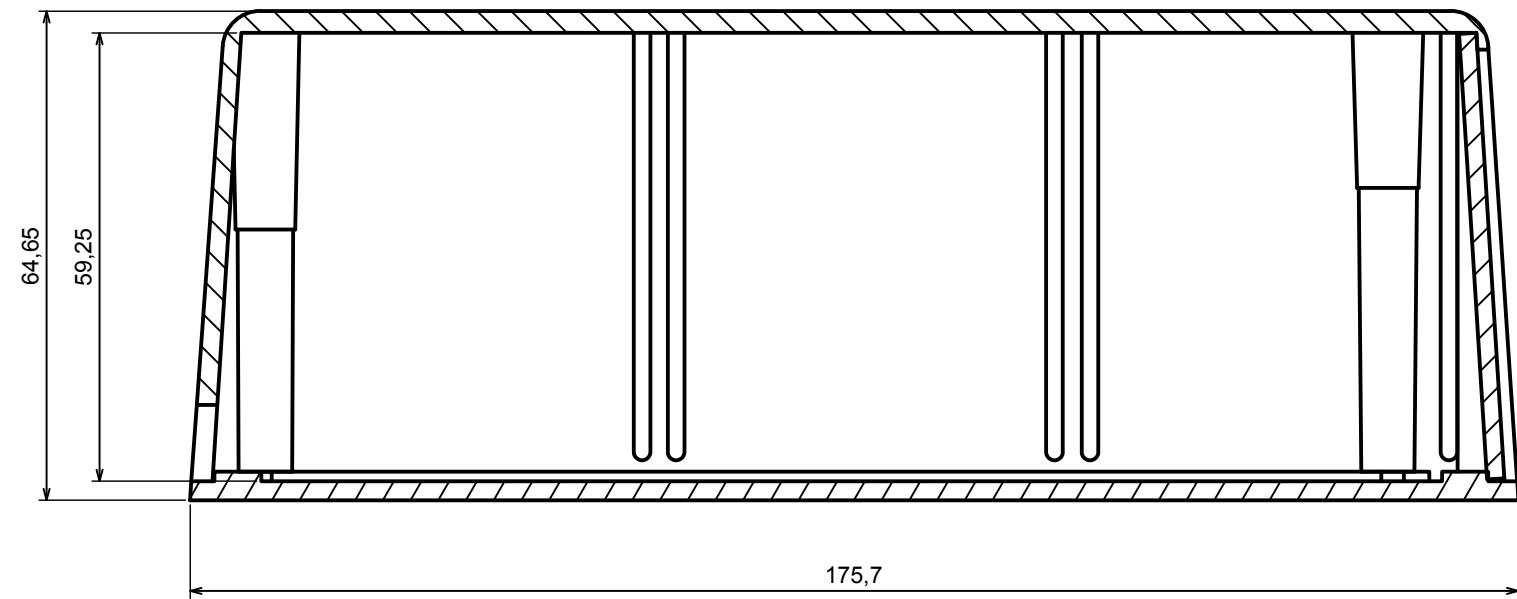


A |



A |

A-A



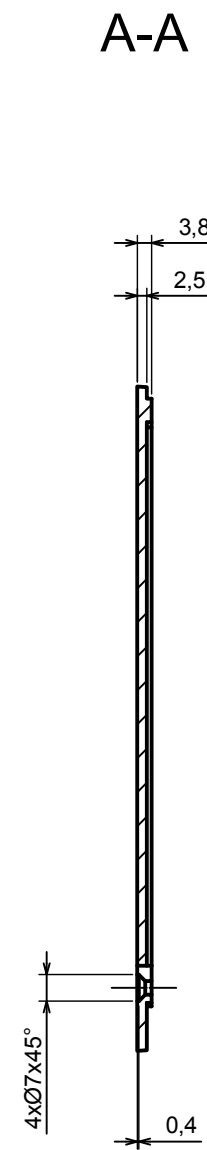
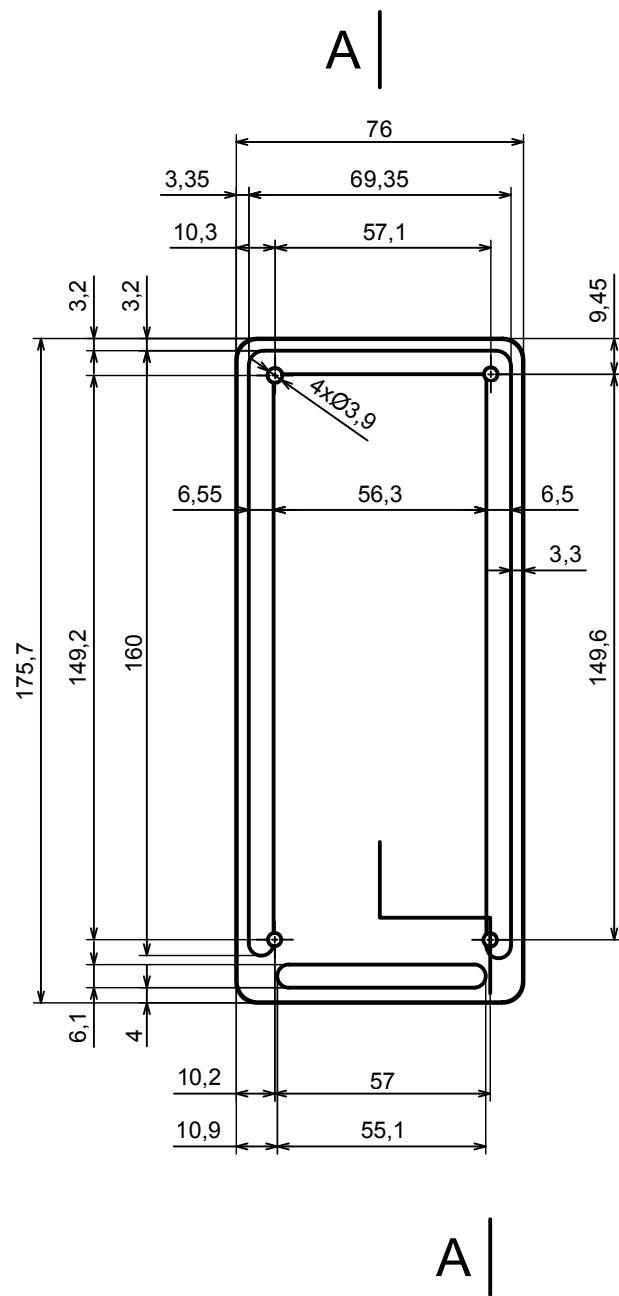
All rights reserved, Copyright Kradex 2017


Product model Enclosure Z18 - Assembly

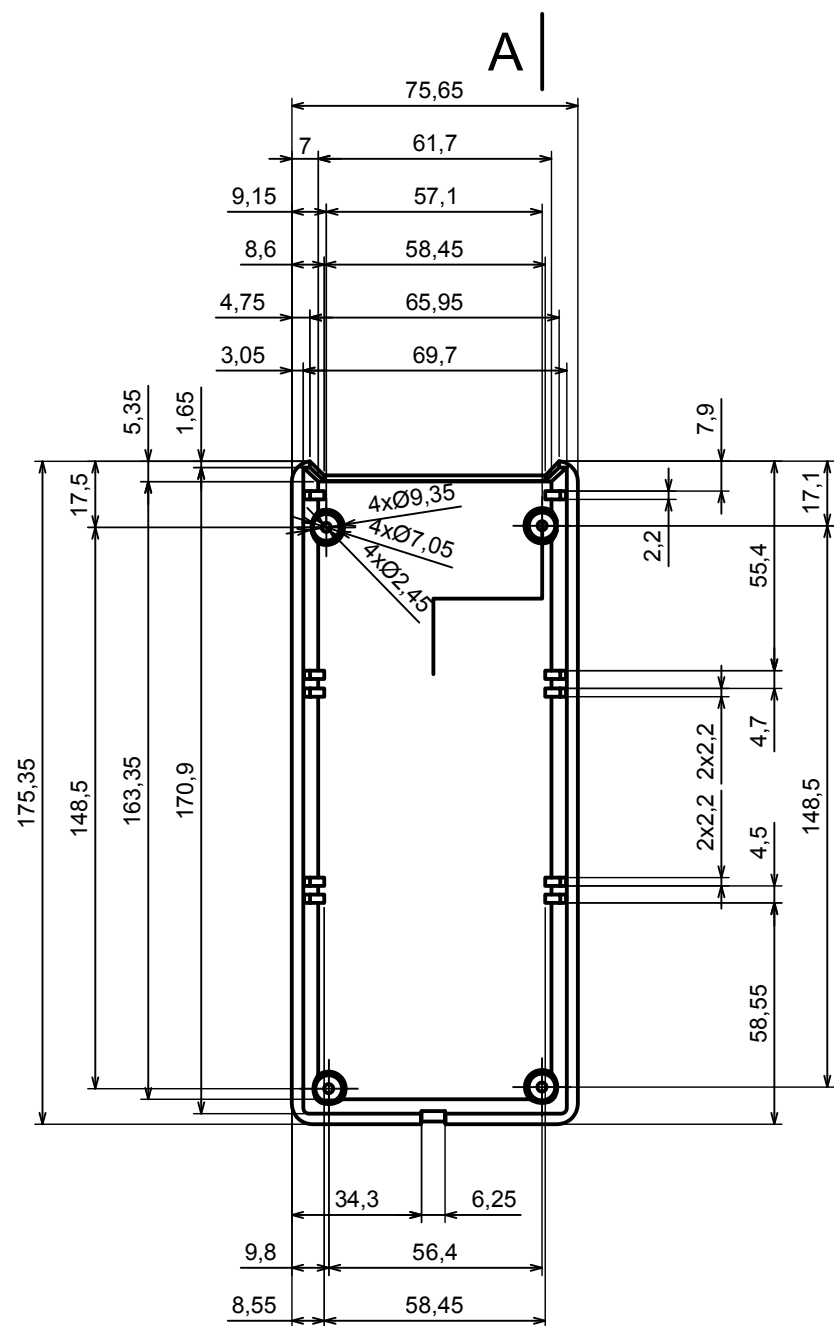
Format: A3 Material: PS, ABS

Scale 1:1 Tolerance: +/- 0.8

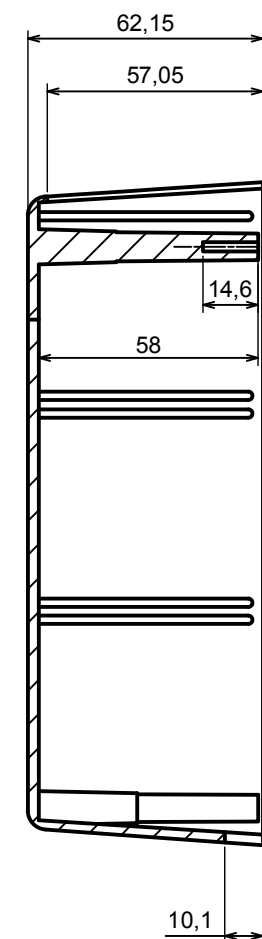




All rights reserved, Copyright Kradox 2017		
Product model	Enclosure Z18 - Base	
Format: A3	Material: PS, ABS	
Scale 1:2	Tolerance: +/- 0.8	



A-A



A |

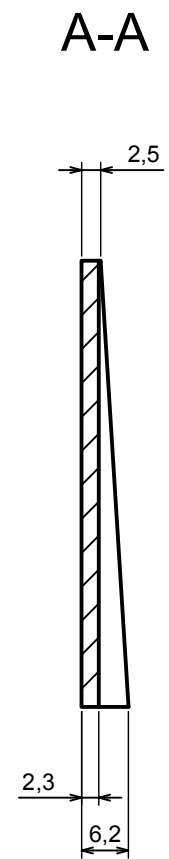
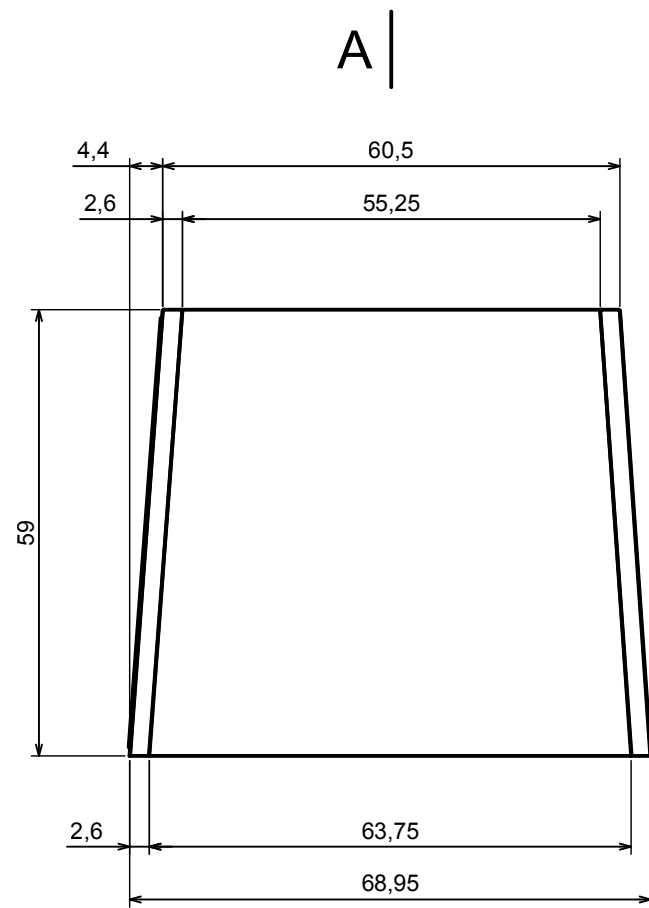
All rights reserved, Copyright Kradox 2017

Product model: Enclosure Z18 - Cover

Format: A3 Material: PS, ABS

Scale 1:2 Tolerance: +/- 0.8





All rights reserved, Copyright Kradox 2017		
Product model	Enclosure Z18 - Base	
Format: A3	Material: PS, ABS	
Scale 1:1	Tolerance: +/- 0.8	