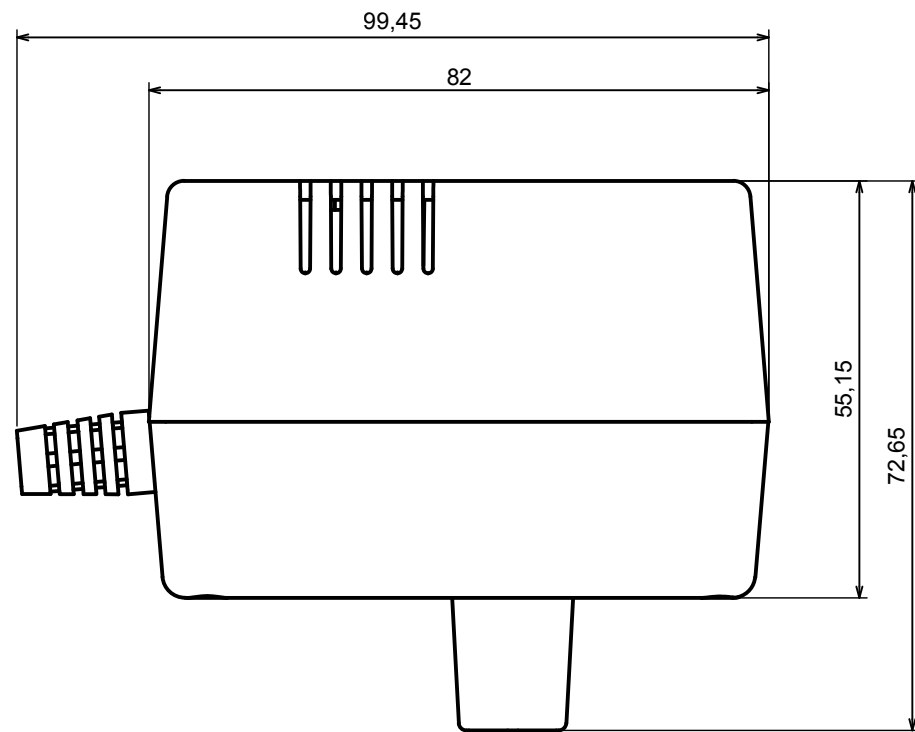
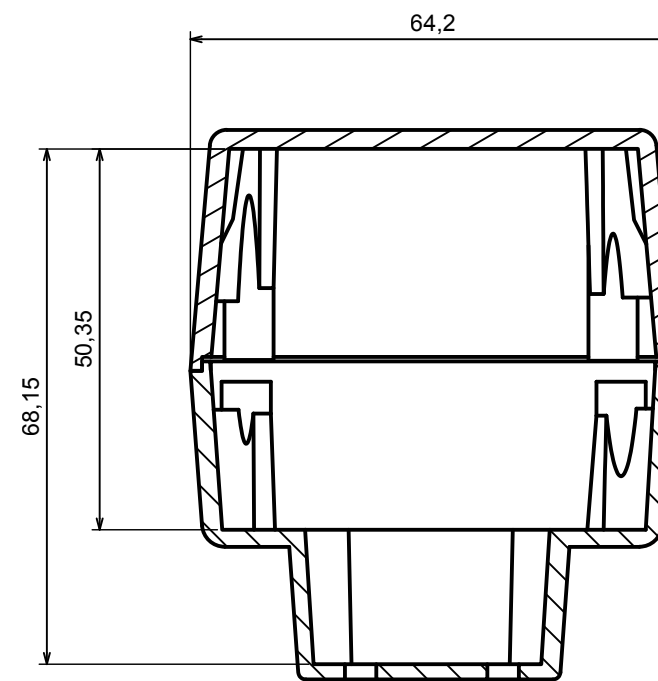


A |



A |

A-A



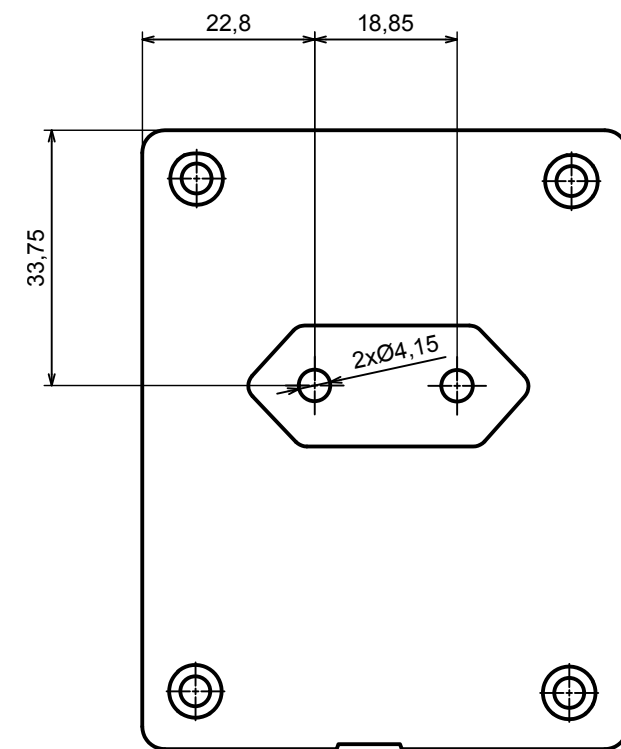
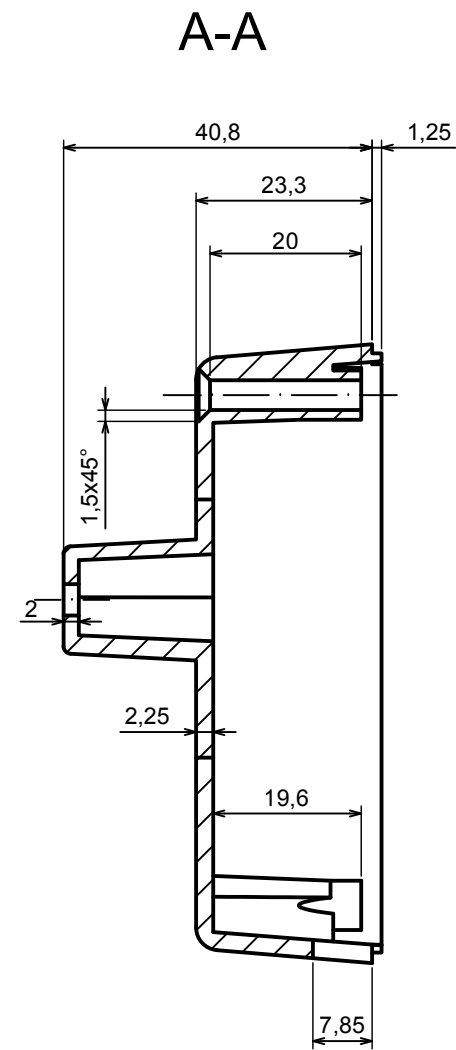
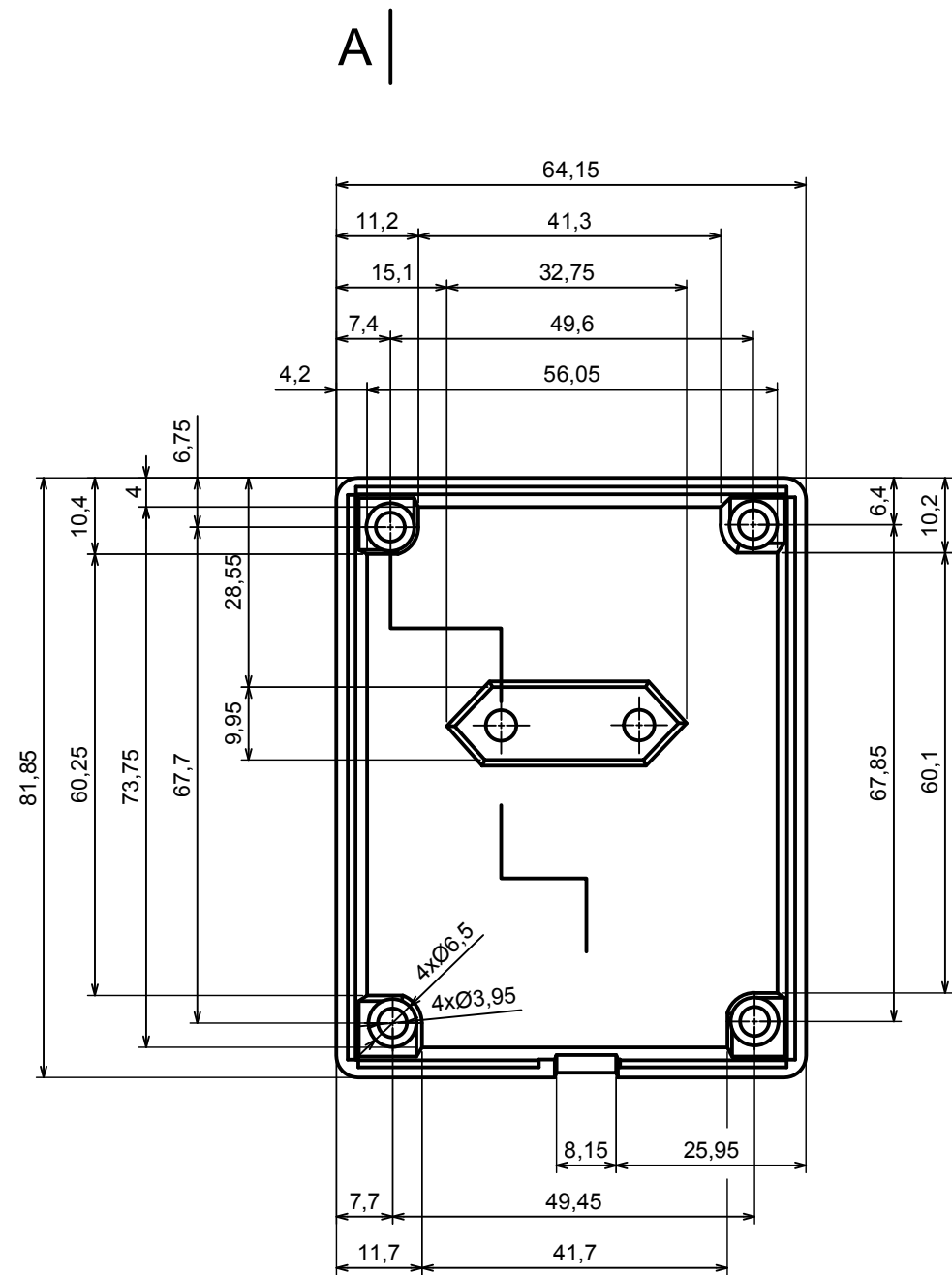
All rights reserved, Copyright Kradex 2017

Product model Enclosure Z21 - Assembly

Format: A3 Material: PS, ABS

Scale 1:1 Tolerance: +/- 0.8





A |

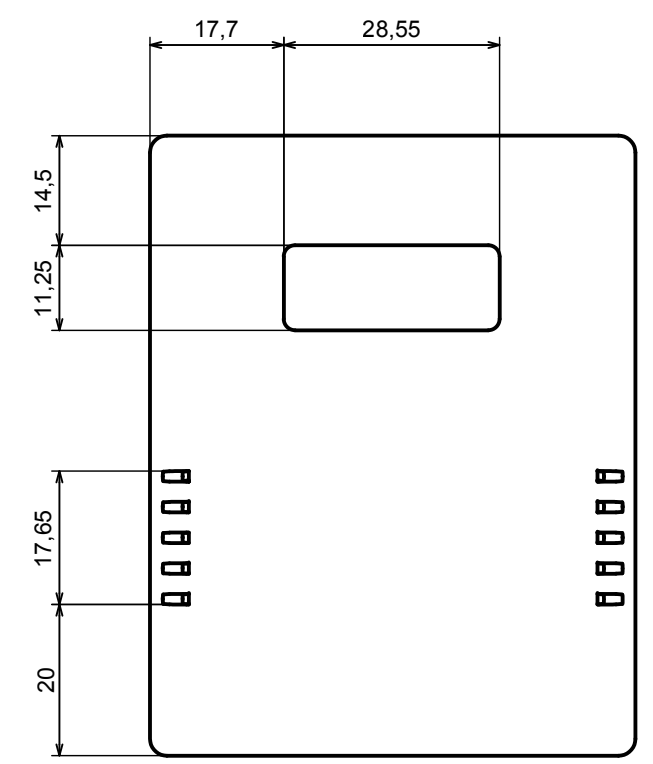
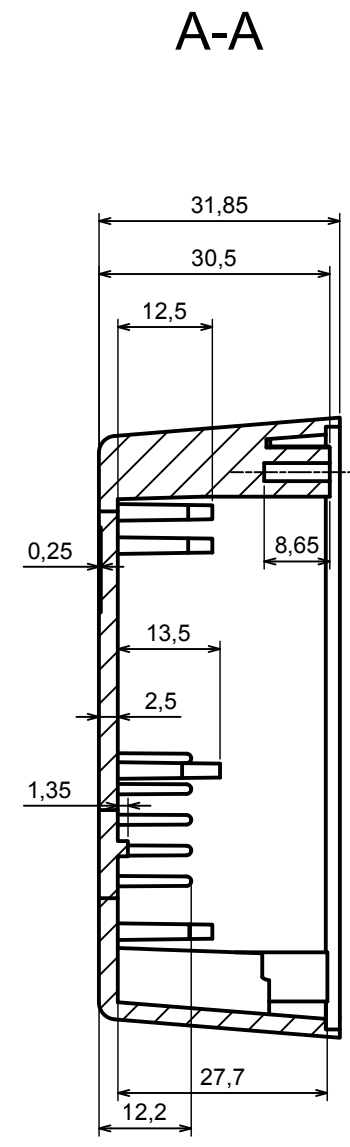
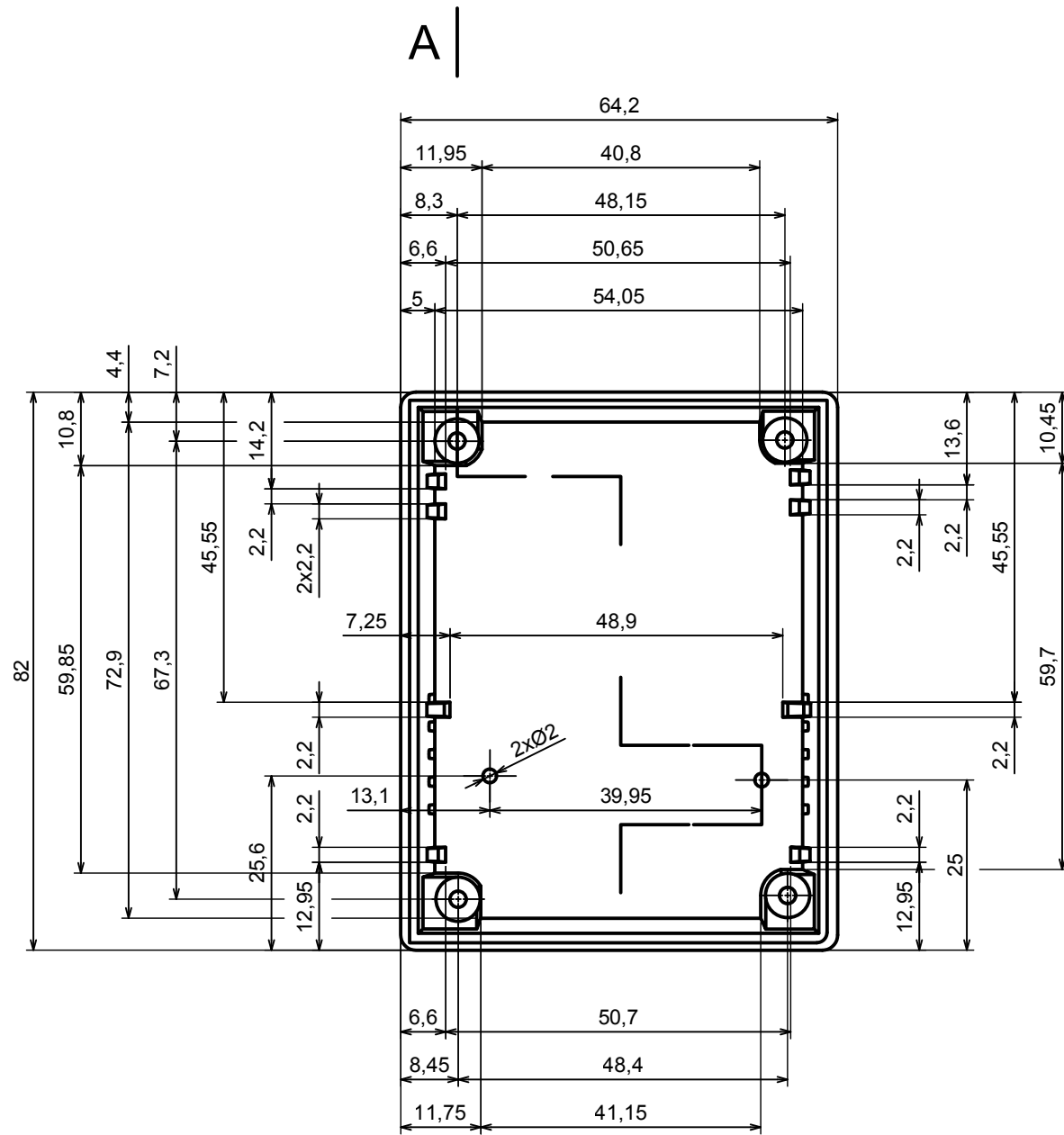
All rights reserved, Copyright Kradox 2017


Product model Enclosure Z21 - Base

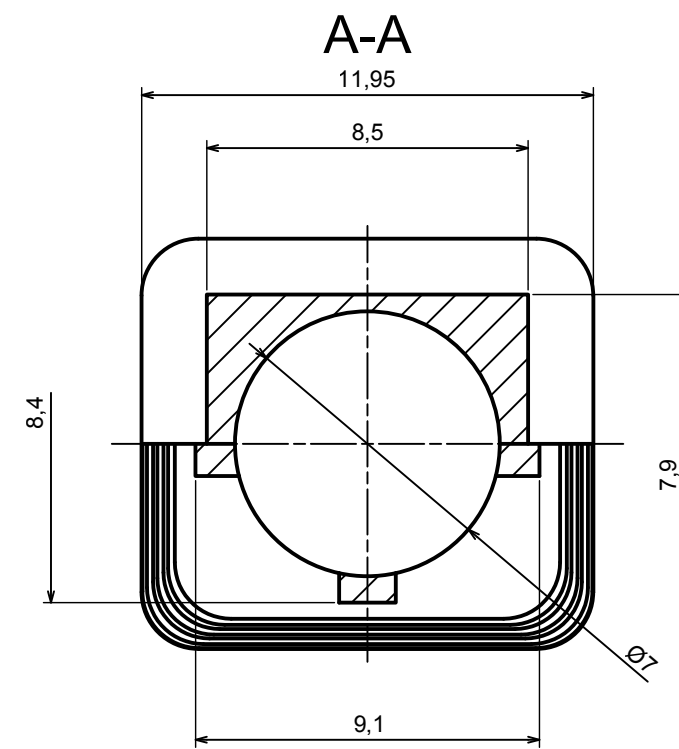
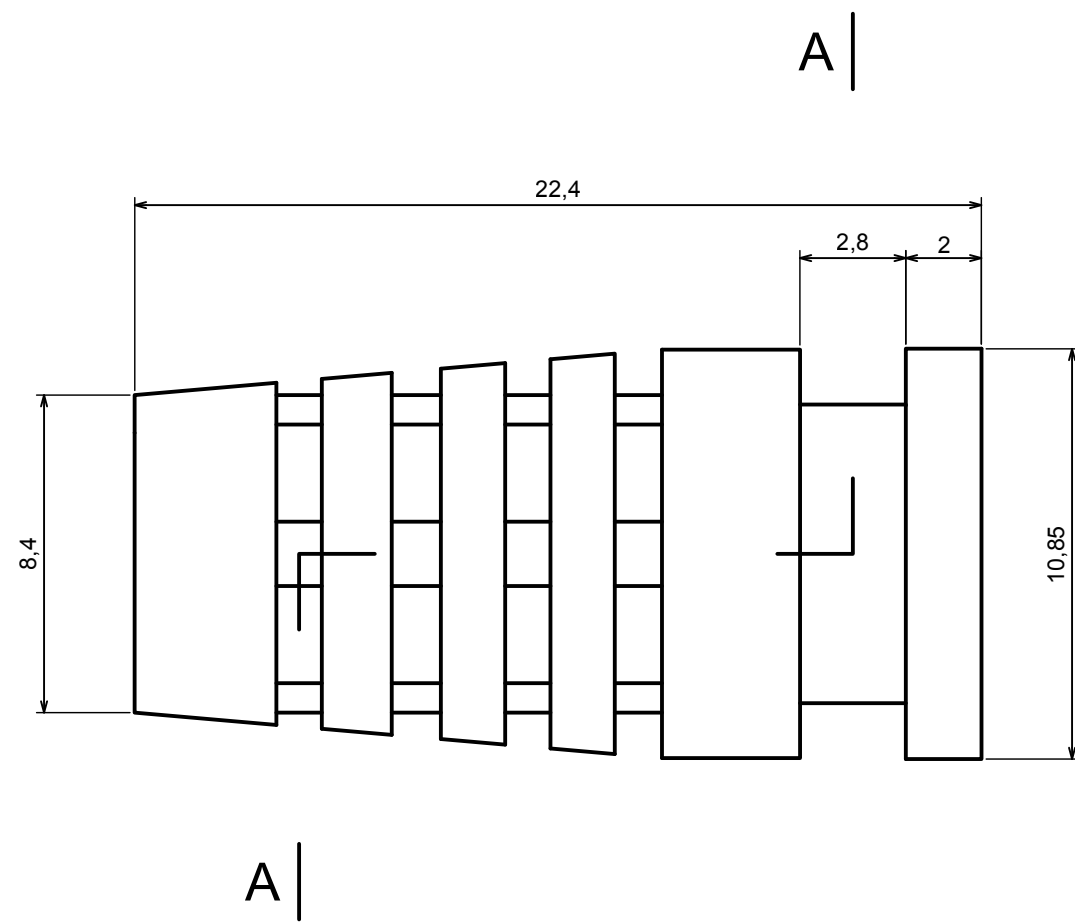
Format: A3 Material: PS, ABS

Scale 1:1 Tolerance: +/- 0.8





All rights reserved, Copyright Kradox 2017		
Product model	Enclosure Z21 - Cover	
Format: A3	Material: PS, ABS	
Scale 1:1	Tolerance: +/- 0.8	



All rights reserved, Copyright Kradox 2017

Product model Enclosure Z21 - Bend Protector

Format: A3 Material: PS, ABS

Scale 5:1 Tolerance: +/- 0.5

