
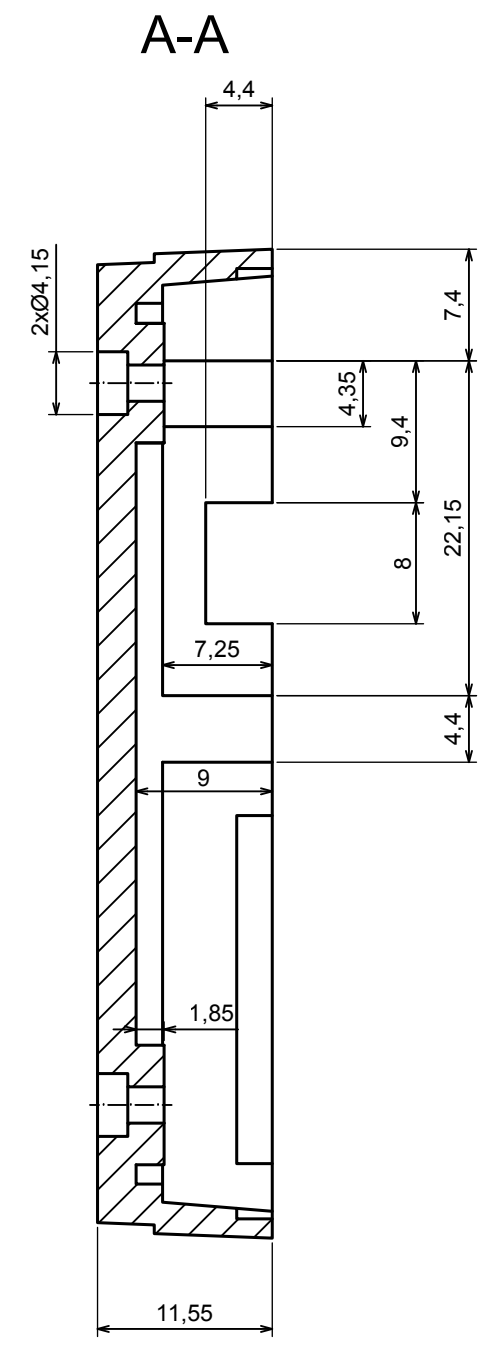
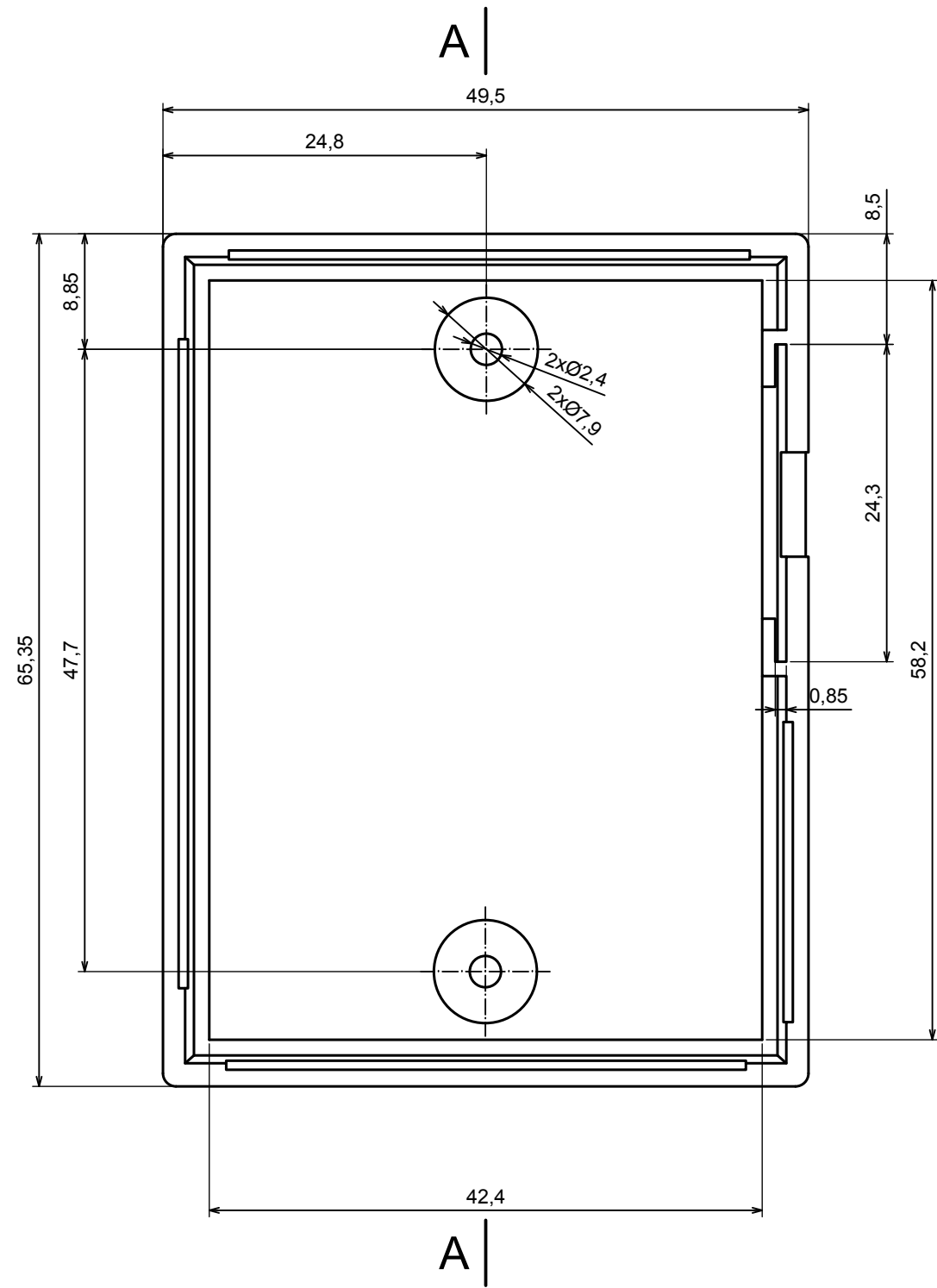



All rights reserved, Copyright Kradox 2016		
Product model	Enclosure Z22 - assembly	
Format: A3	Material: PS, ABS	
Scale 2:1	Tolerance: +/- 0.8	



All rights reserved, Copyright Kradox 2016		
Product model	Enclosure Z22 - base	
Format: A3	Material: PS, ABS	
Scale 2:1	Tolerance: +/- 0.8	

