
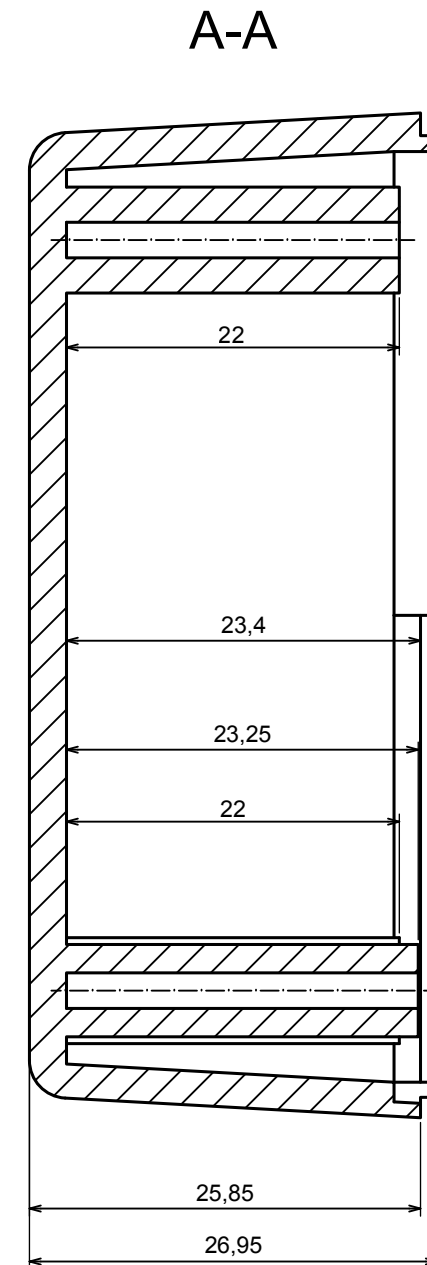
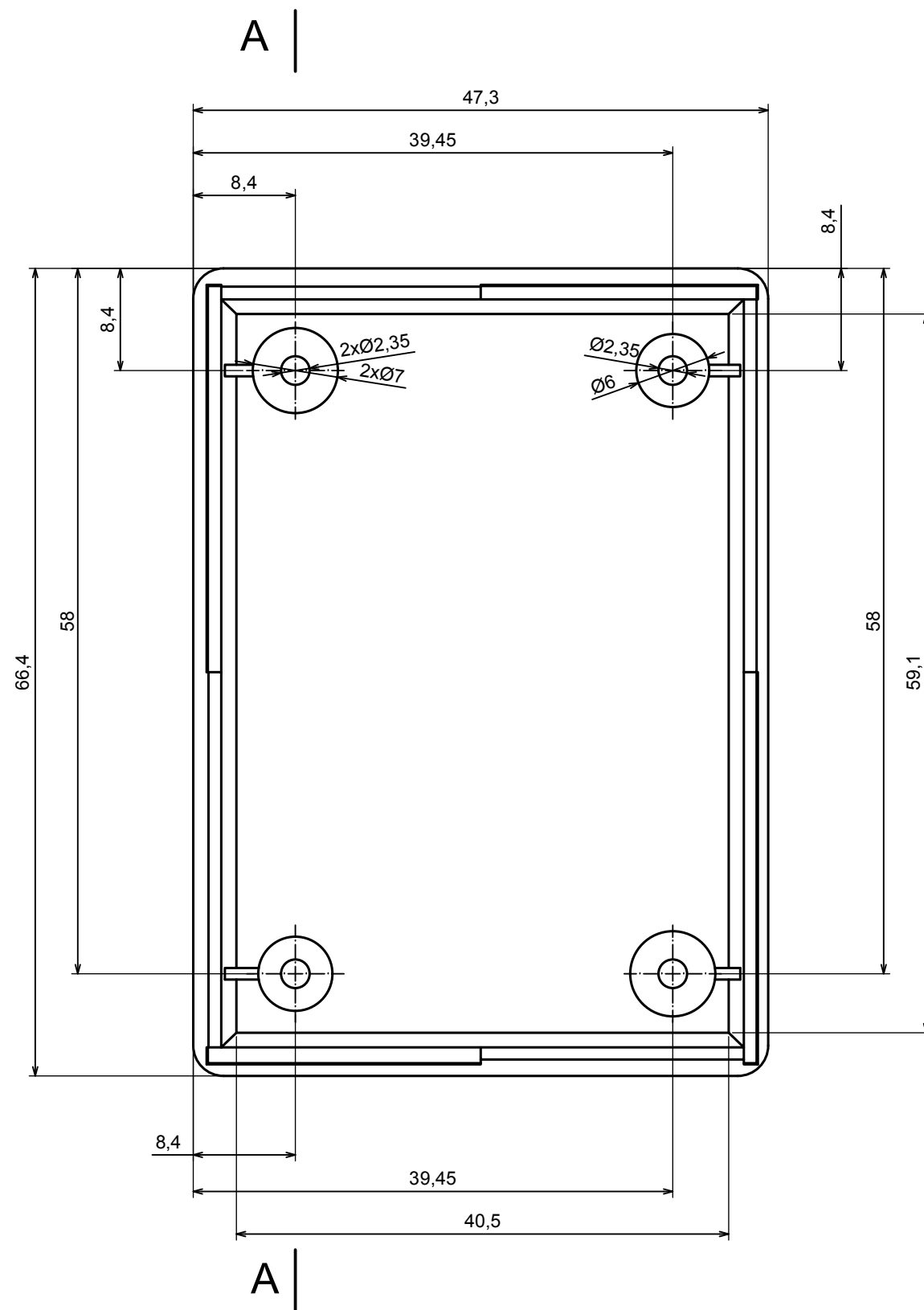


All rights reserved, Copyright Kradex 2016		
Product model	Enclosure Z24 - assembly	
Format: A3	Material: PS, ABS	
Scale 2:1	Tolerance: +/- 0.5	



All rights reserved, Copyright Kradox 2016

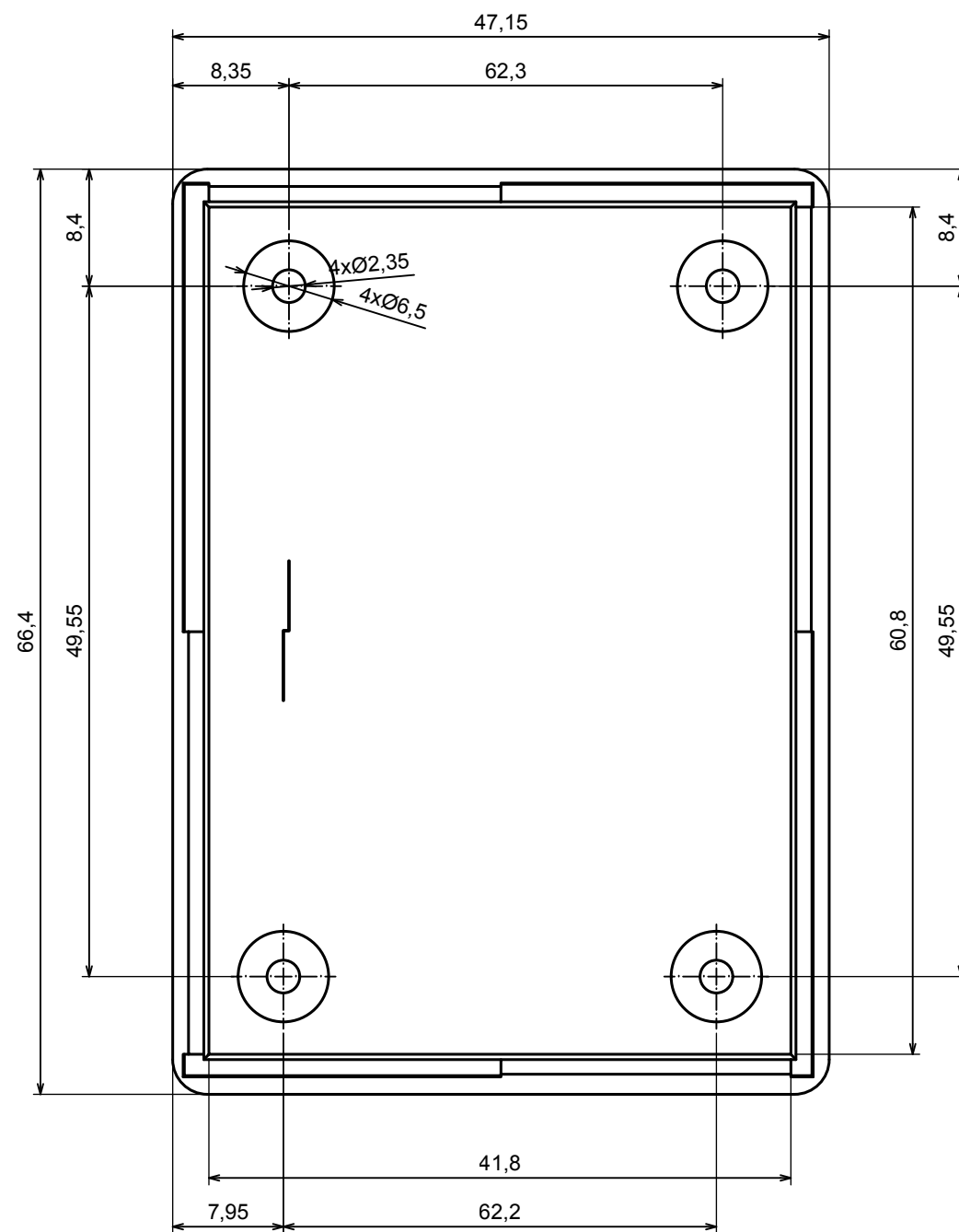
Product model: Enclosure Z24 - base

Format: A3      Material: PS, ABS

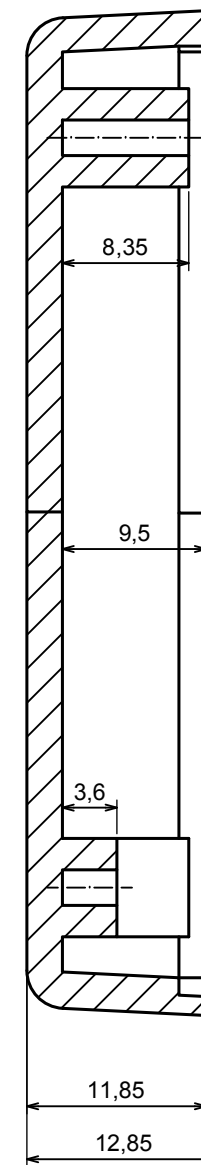
Scale 2:1      Tolerance: +/- 0.5




A |



A-A



A |

All rights reserved, Copyright Kradox 2016		
Product model	Enclosure Z24 - cover	
Format: A3	Material: PS, ABS	
Scale 2:1	Tolerance: +/- 0.5	