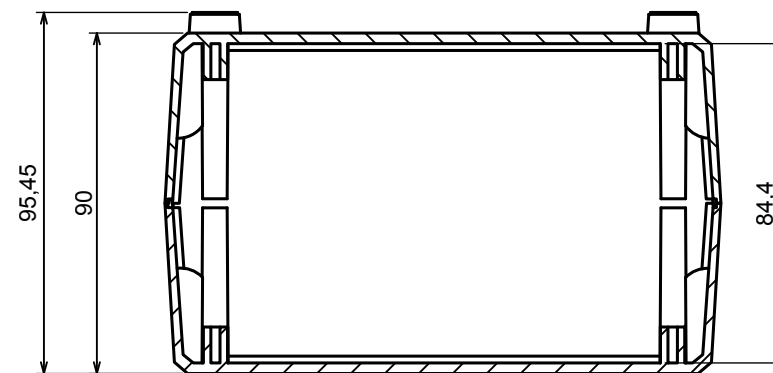


A-A



All rights reserved, Copyright Kradex 2017

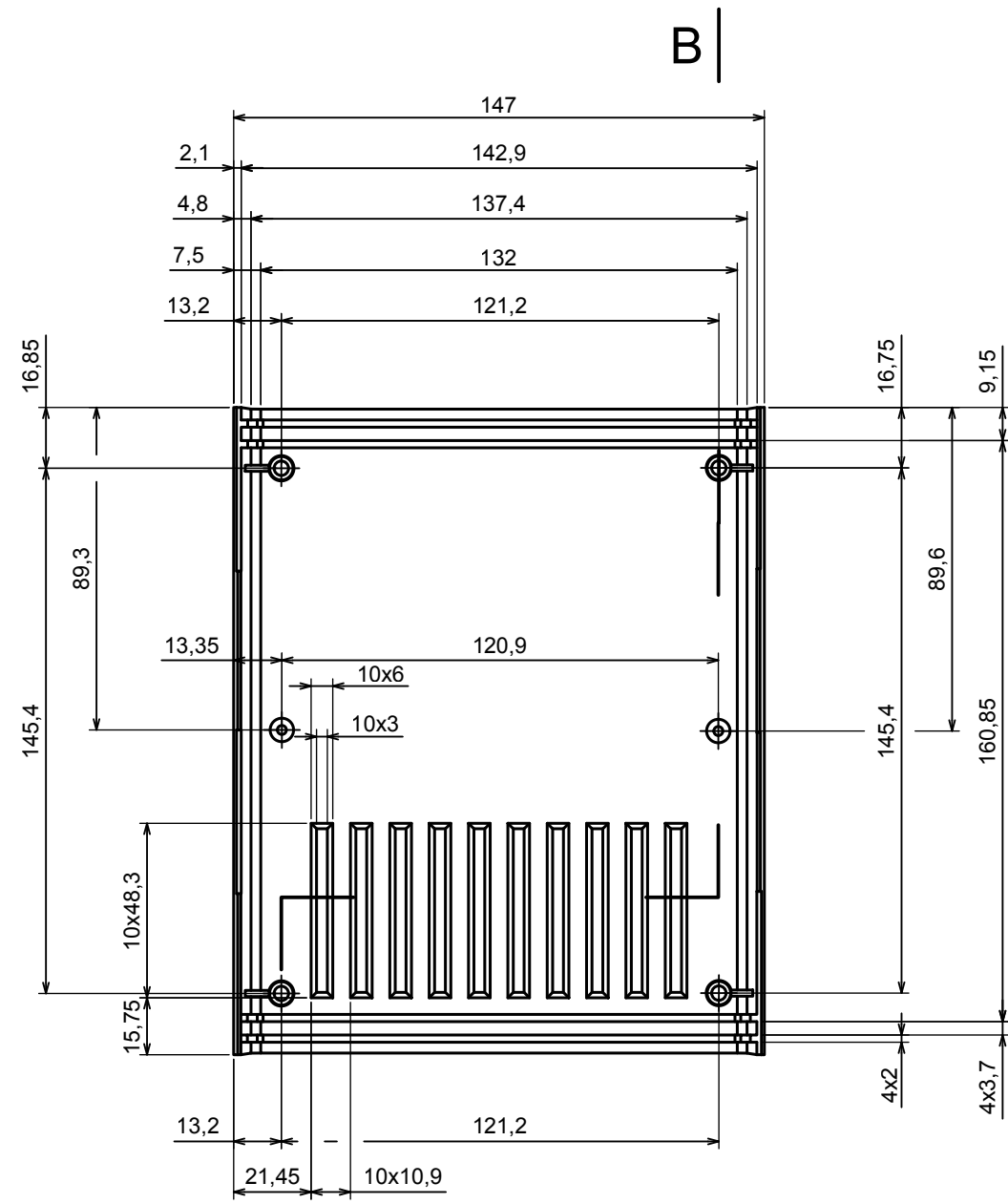
Product model Enclosure Z2AW - Assembly

Format: A3 Material: PS, ABS

Scale 1:2 Tolerance: +/- 1

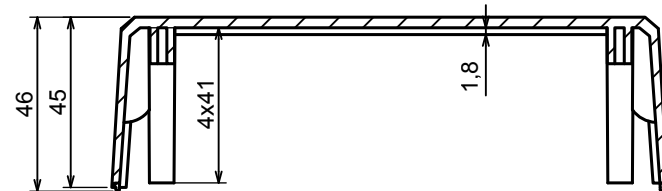


| C



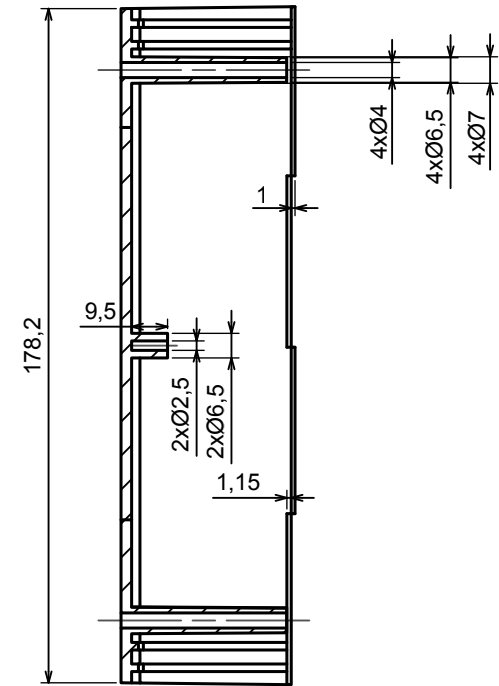
B |

C-C



| C

B-B



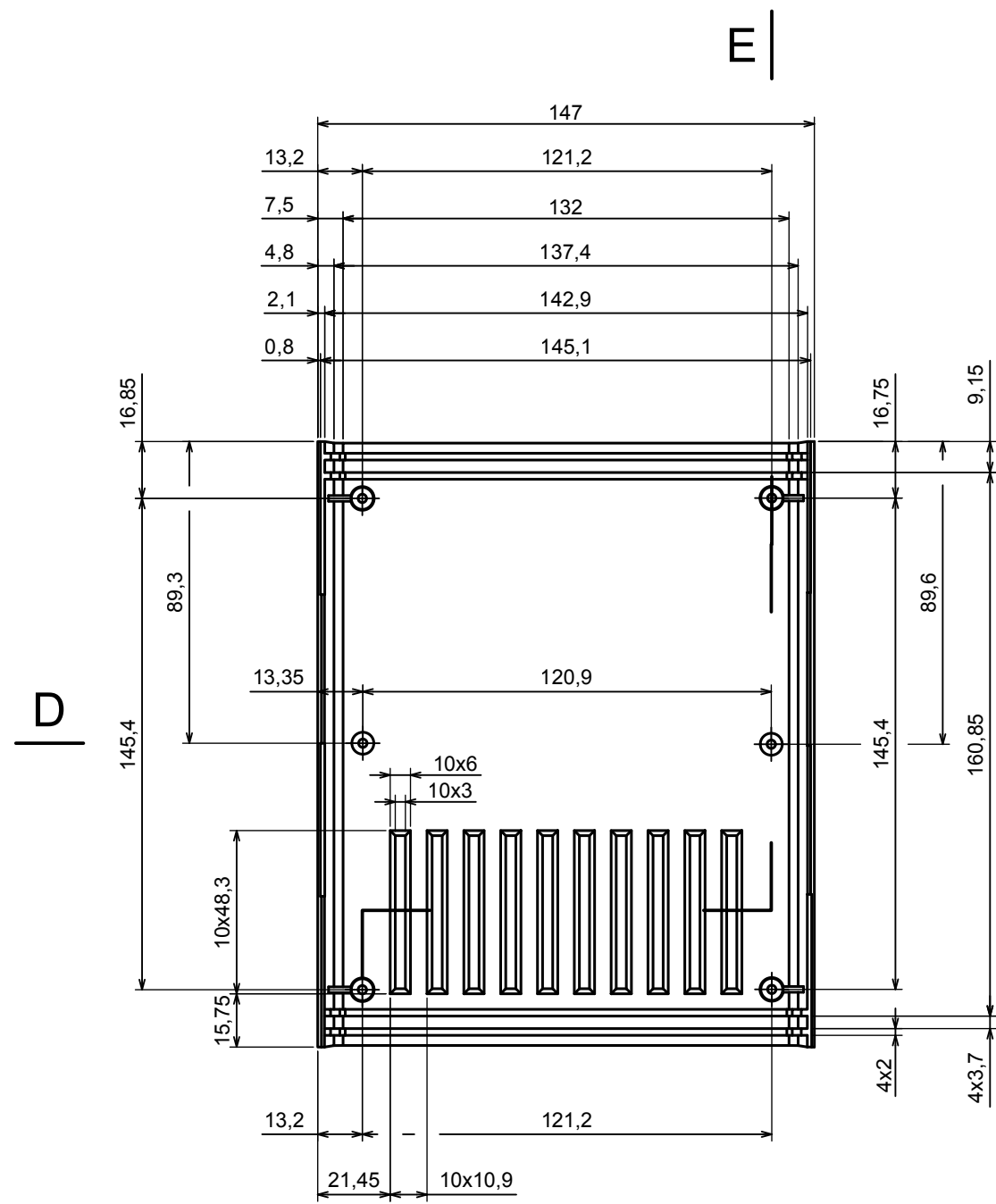
All rights reserved, Copyright Kradox 2017

Product model: Enclosure Z2AW - Base

Format: A3 Material: PS, ABS

Scale 1:2 Tolerance: +/- 1

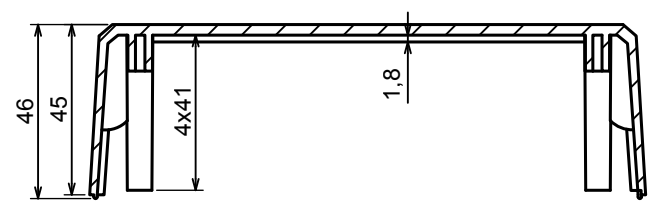




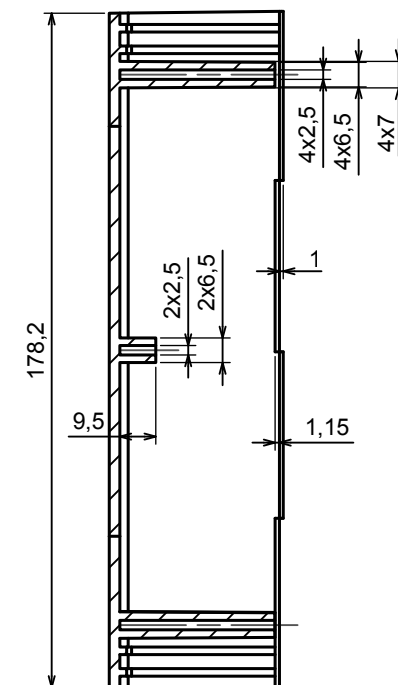
D

E

D-D



E-E



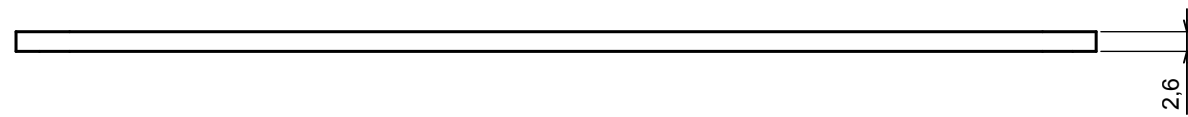
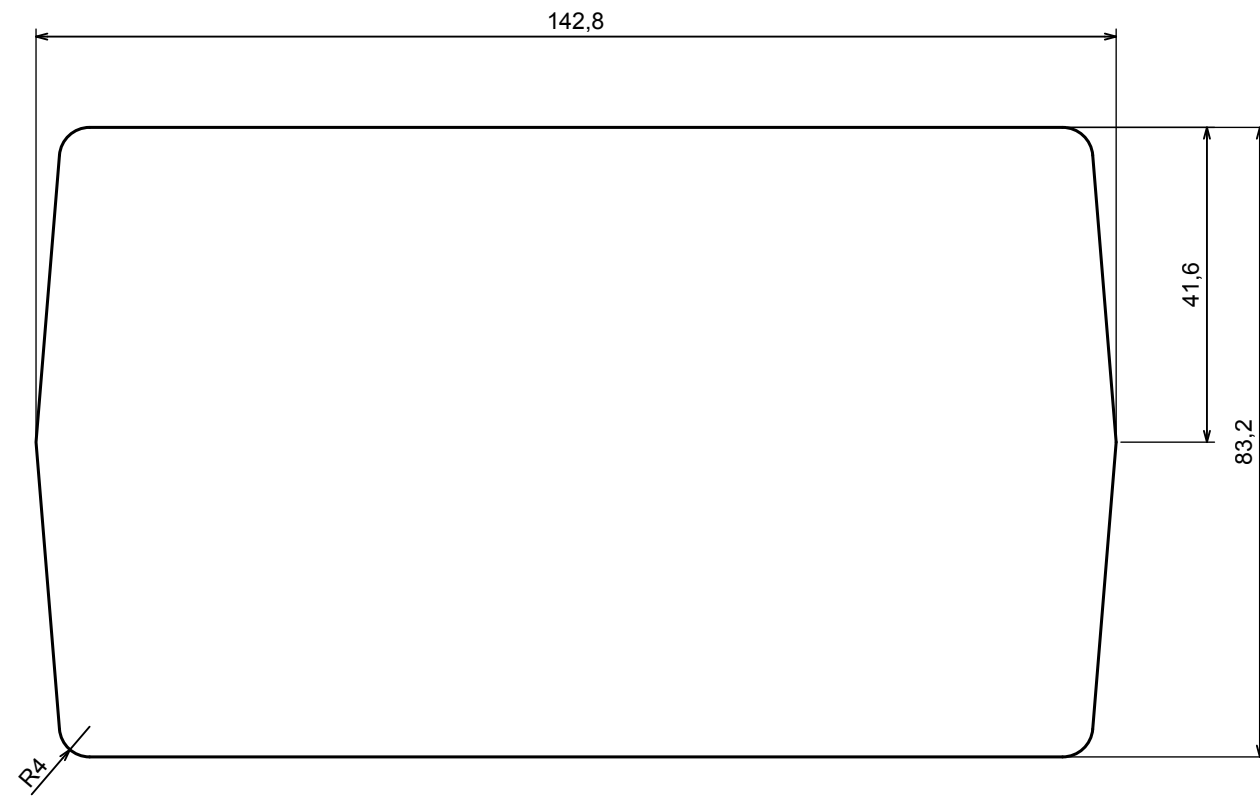
All rights reserved, Copyright Kradox 2017


Product model: Enclosure Z2AW - Cover

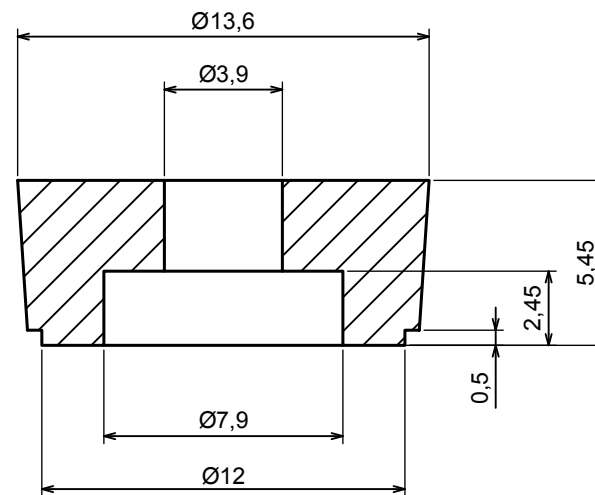
Format: A3 Material: PS, ABS

Scale 1:2 Tolerance: +/- 1





All rights reserved, Copyright Kradex 2017		
Product model	Enclosure Z2AW - Board	
Format: A3	Material: PS, ABS	
Scale 1:1	Tolerance: +/- 0.5	



All rights reserved, Copyright Kradex 2017

Product model Enclosure Z2AW - Foot

Format: A3 Material: PS, ABS

Scale 4:1 Tolerance: +/- 0.5

