

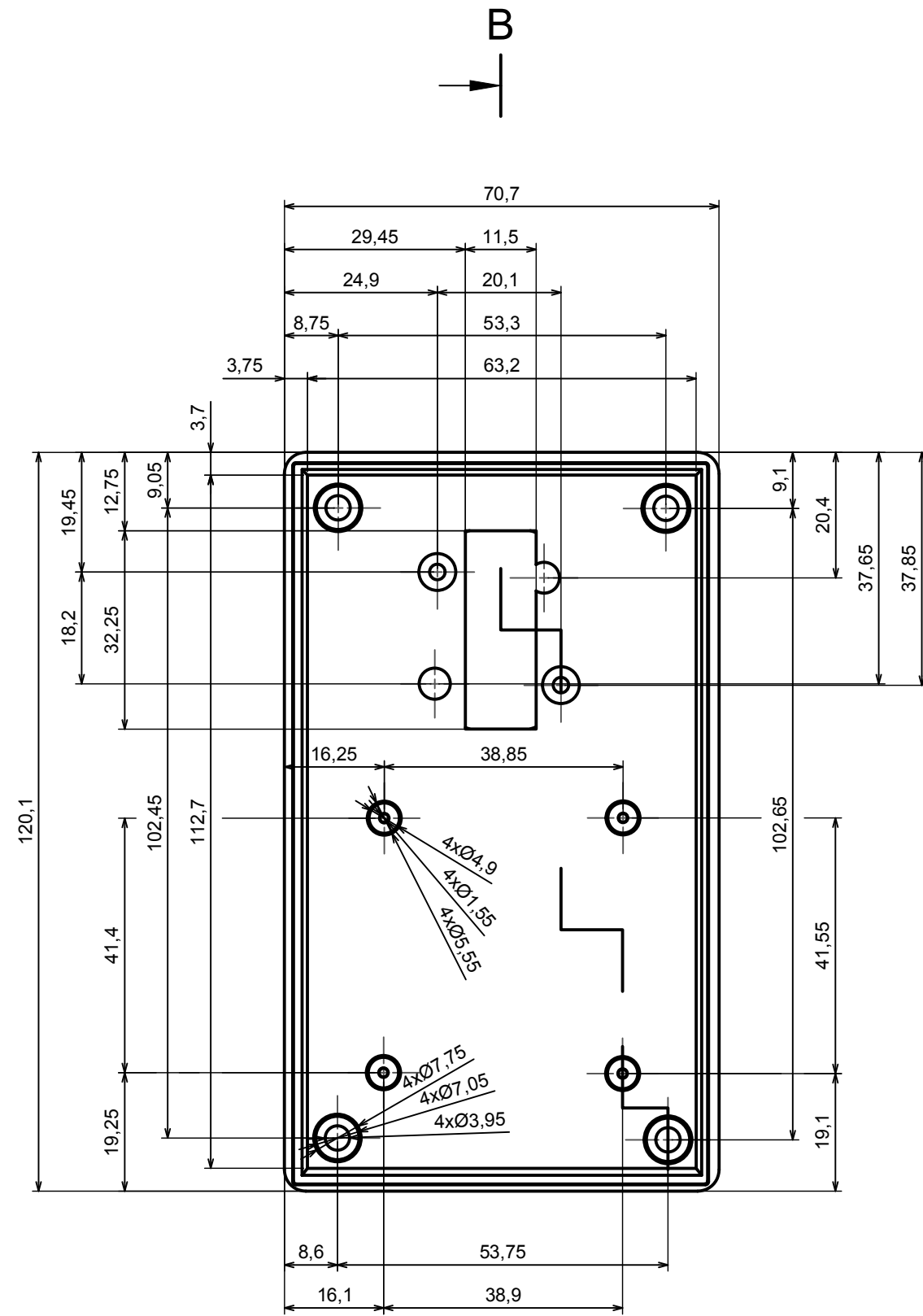
All rights reserved, Copyright Kradox 2018

Product model Enclosure Z30 - Assembly

Format: A3 Material: PS, ABS

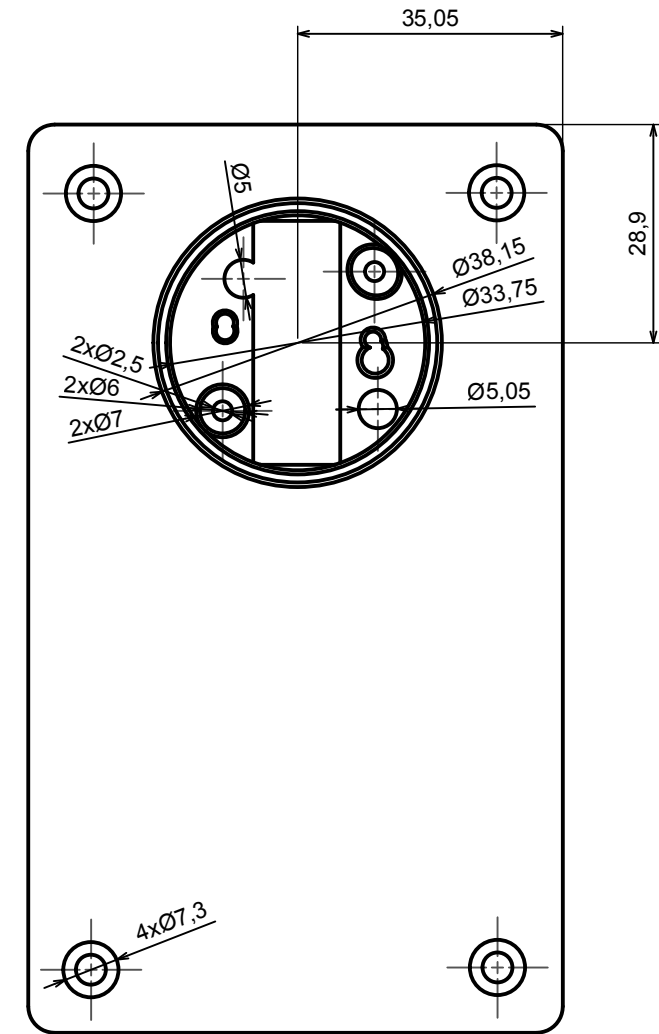
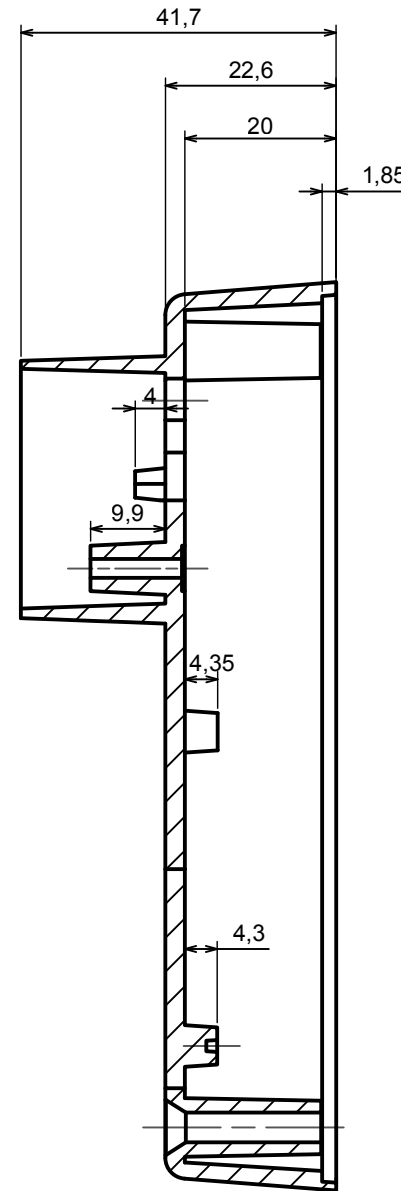
Scale 1:1 Tolerance: +/- 0.5





B

B-B



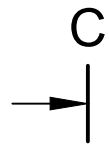
All rights reserved, Copyright Kradox 2018

Product model Enclosure Z30 - Base

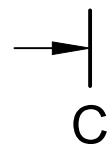
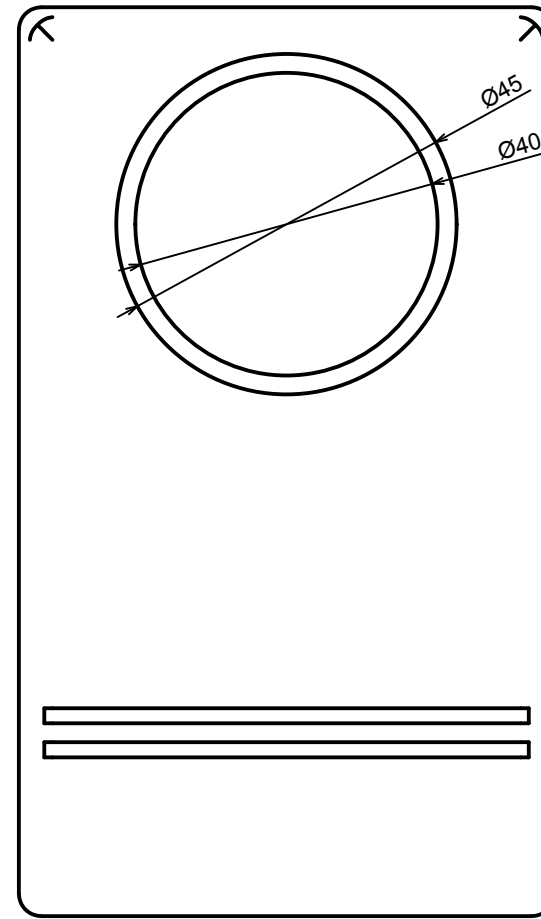
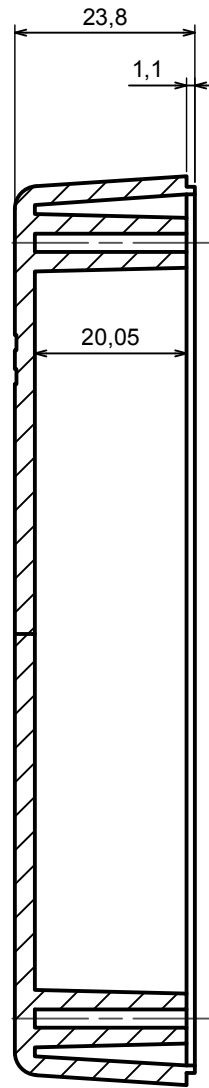
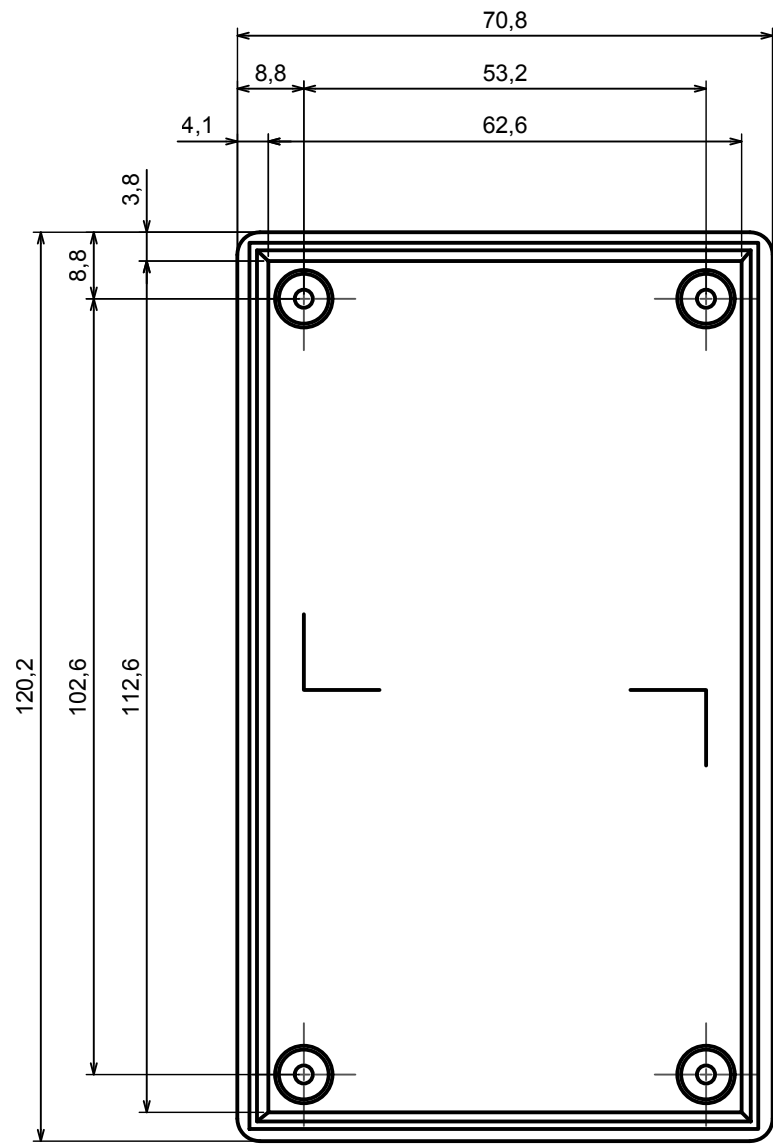
Format: A3 Material: PS, ABS

Scale 1:1 Tolerance: +/- 0.8

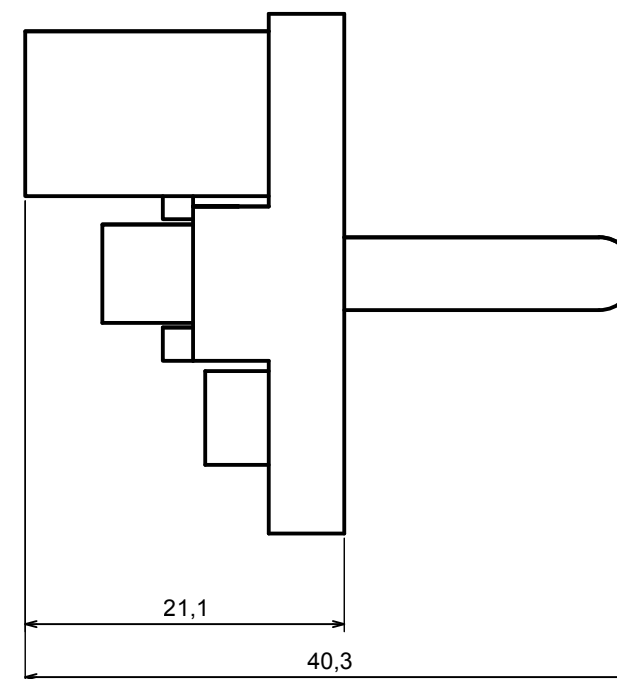
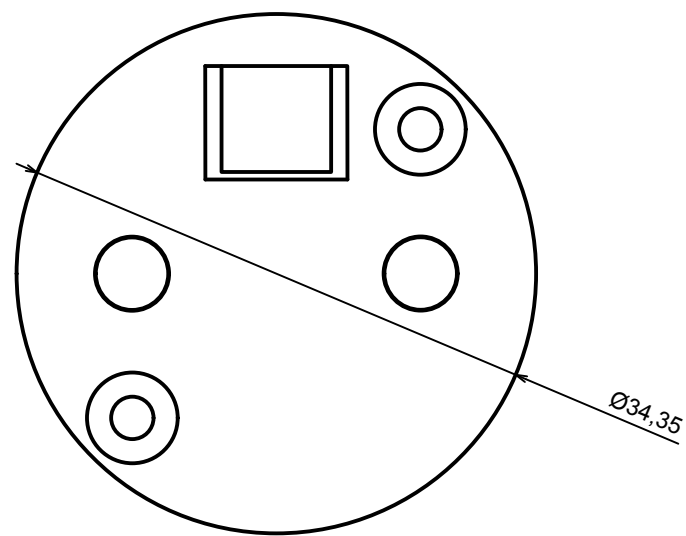





C-C



All rights reserved, Copyright Kradox 2018		
Product model	Enclosure Z30 - Cover	
Format: A3	Material: PS, ABS	
Scale 1:1	Tolerance: +/- 0.8	



Uwaga - Element firmy Schneider Electric

All rights reserved, Copyright Kradex 2018		
Product model	Enclosure Z30 - Schneider Electric W-131	
Format: A3	Material: PS, ABS	
Scale 2:1	Tolerance: +/- 0.5	