

All rights reserved, Copyright Kradex 2016

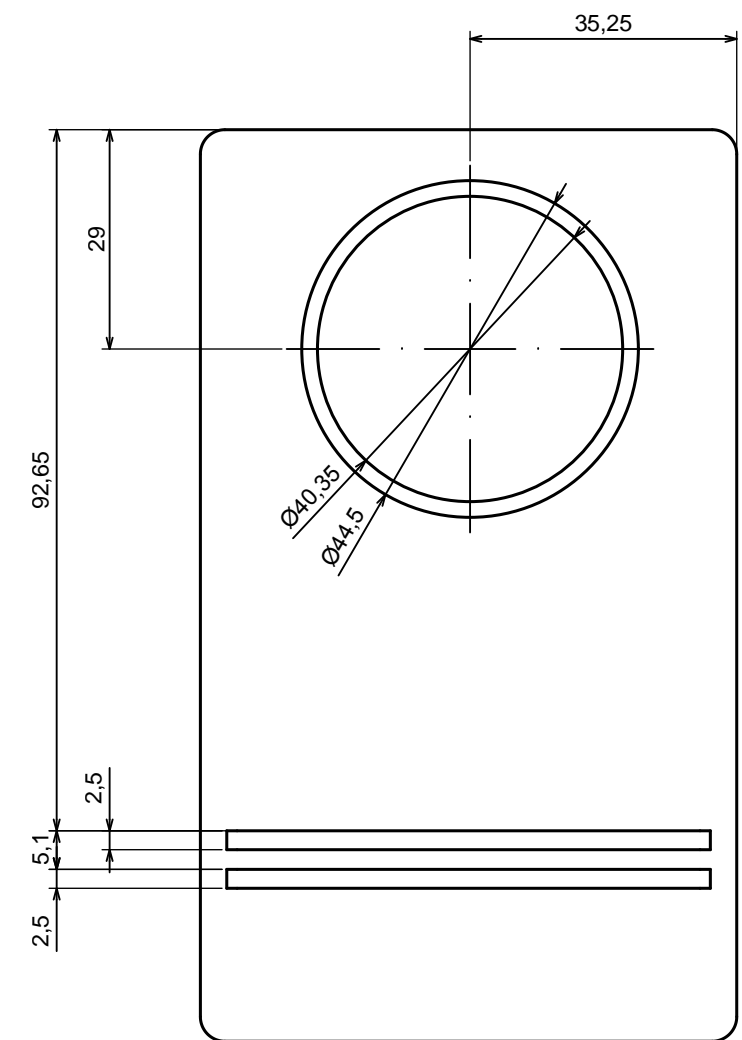
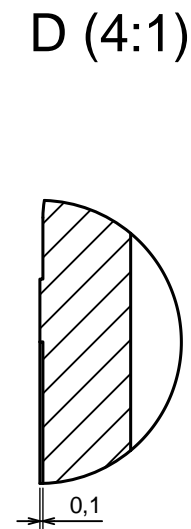
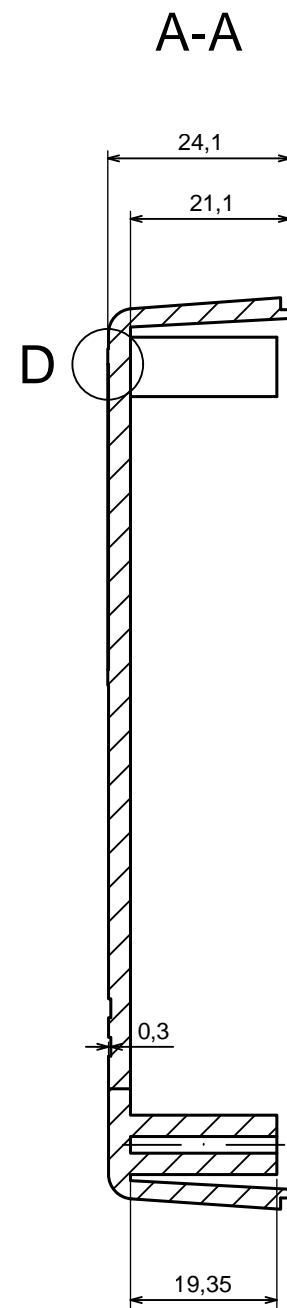
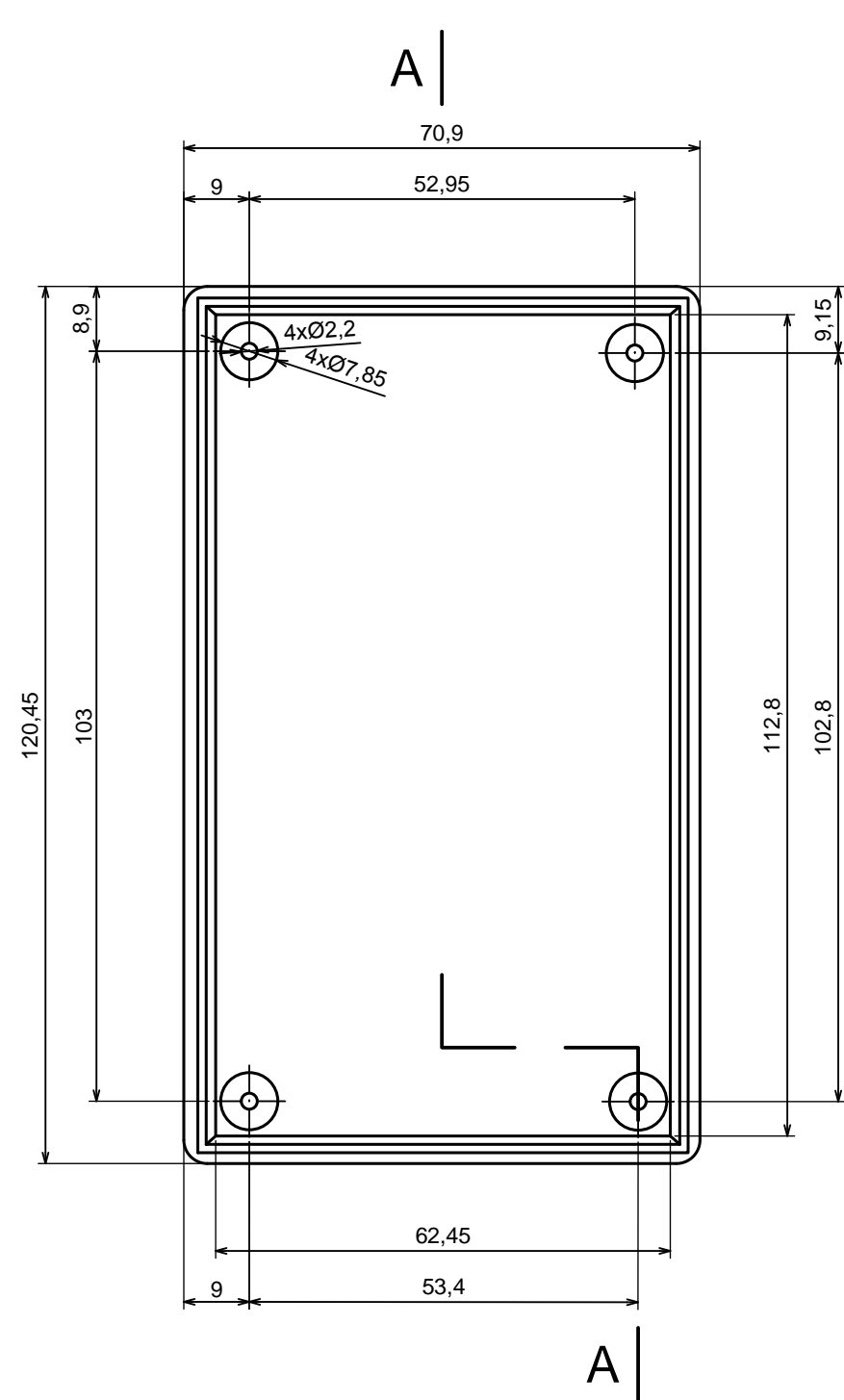
Product model Enclosure Z30A - assembly

Format: A3 Material: PS, ABS

Scale 1:1 Tolerance: +/- 0.5







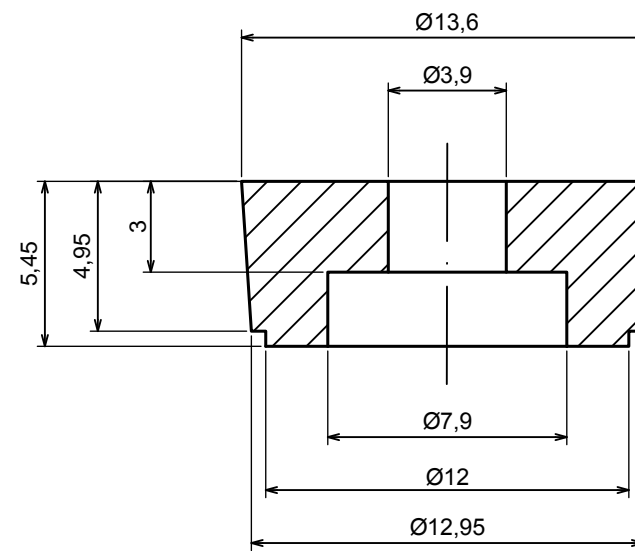
All rights reserved, Copyright Kradox 2016

Product model: Enclosure Z30A - cover

Format: A3 Material: PS, ABS

Scale 1:1 Tolerance: +/- 0.5





All rights reserved, Copyright Kradox 2016

Product model: Enclosure Z30A - foot

Format: A3 Material: PS, ABS

Scale 4:1 Tolerance: +/- 0.5

