

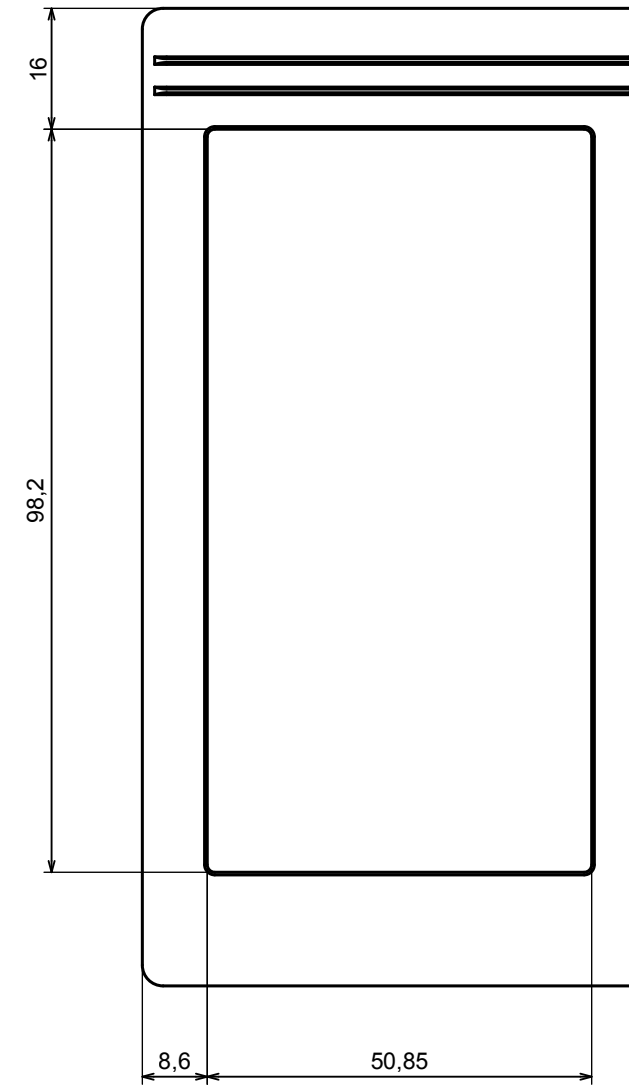
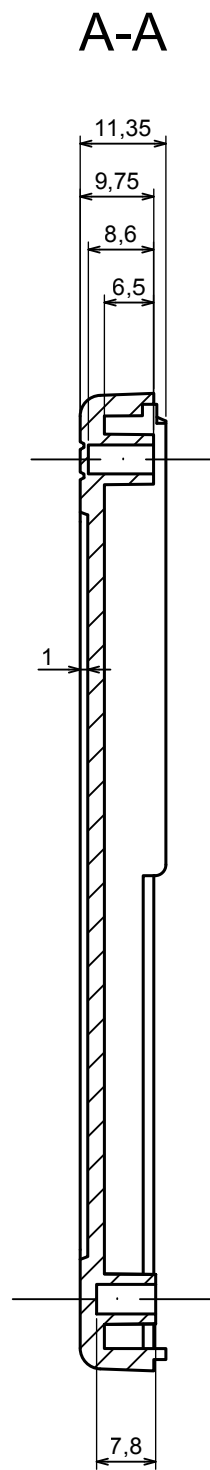
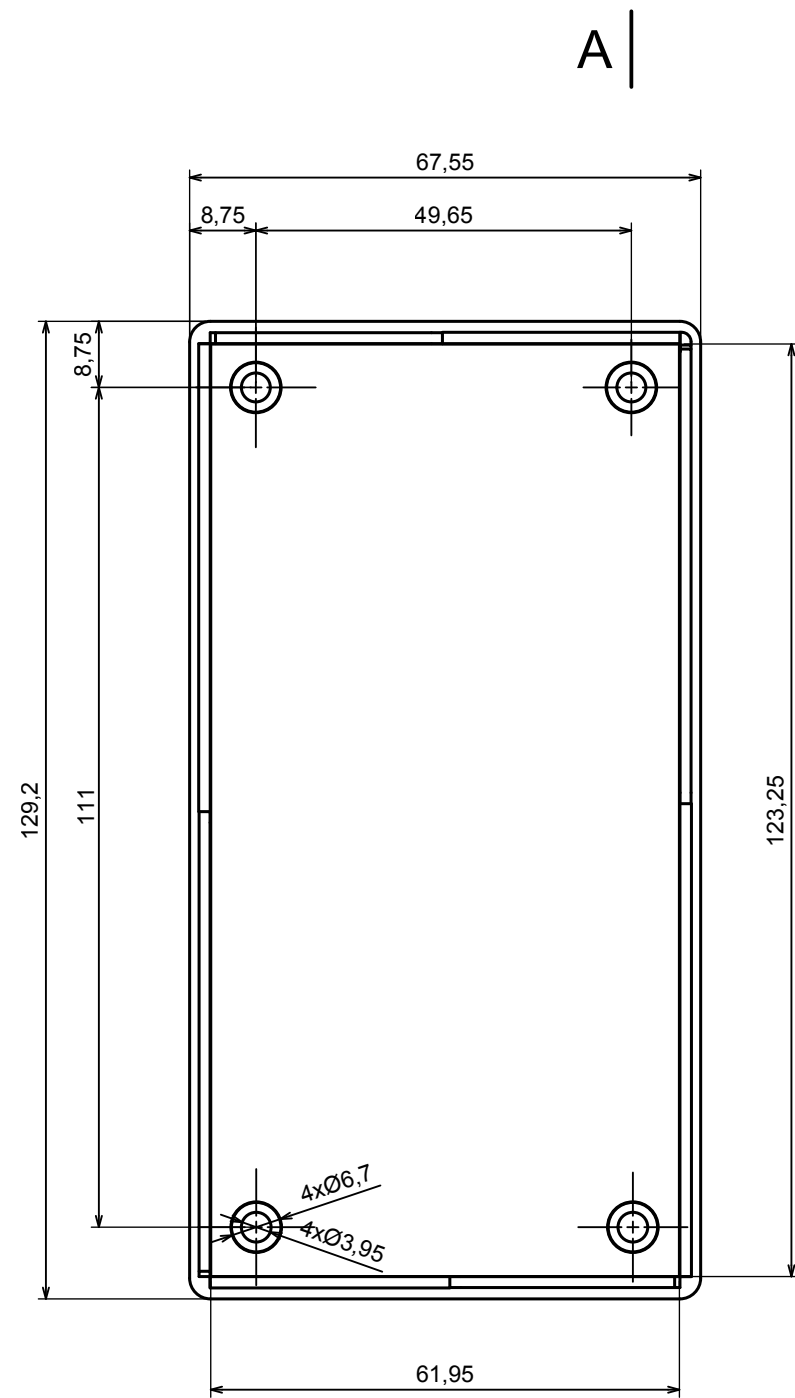
All rights reserved, Copyright Kradex 2016

Product model Enclosure Z34A - assembly


Format: A3 Material: PS, ABS

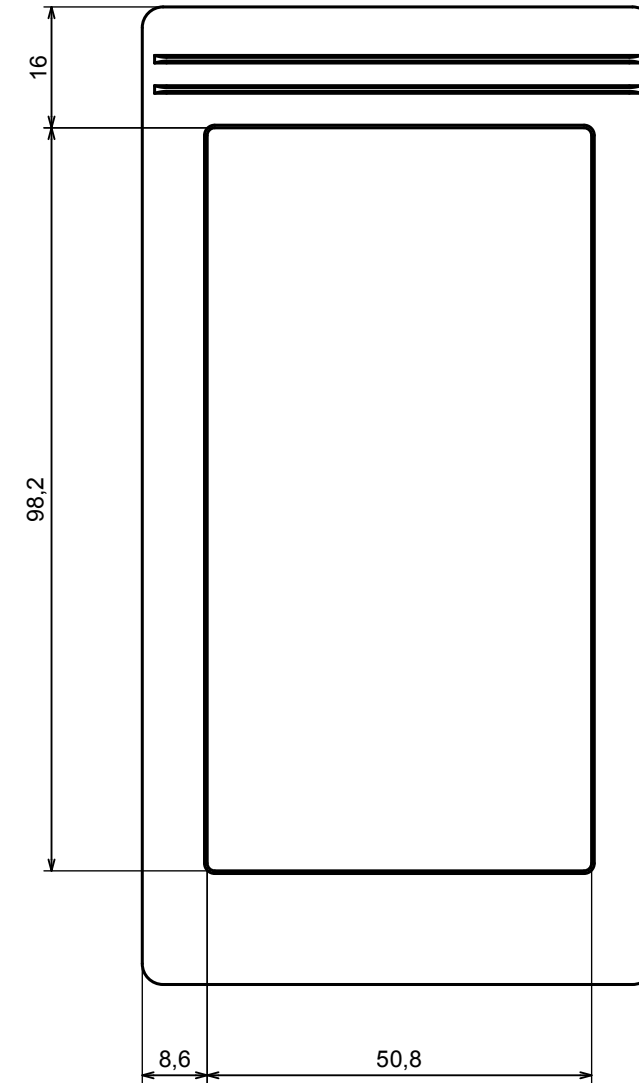
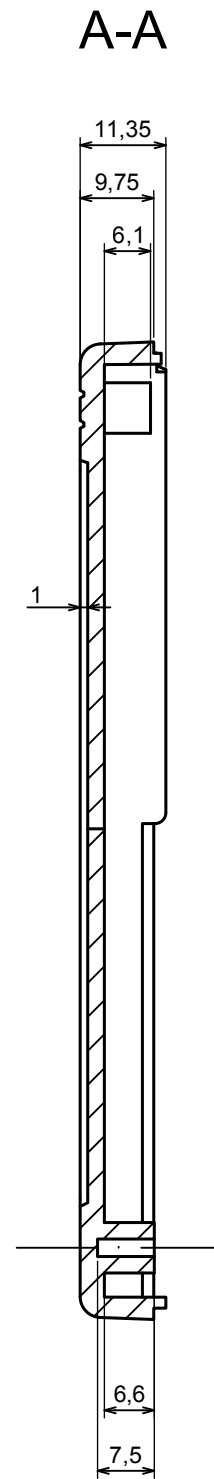
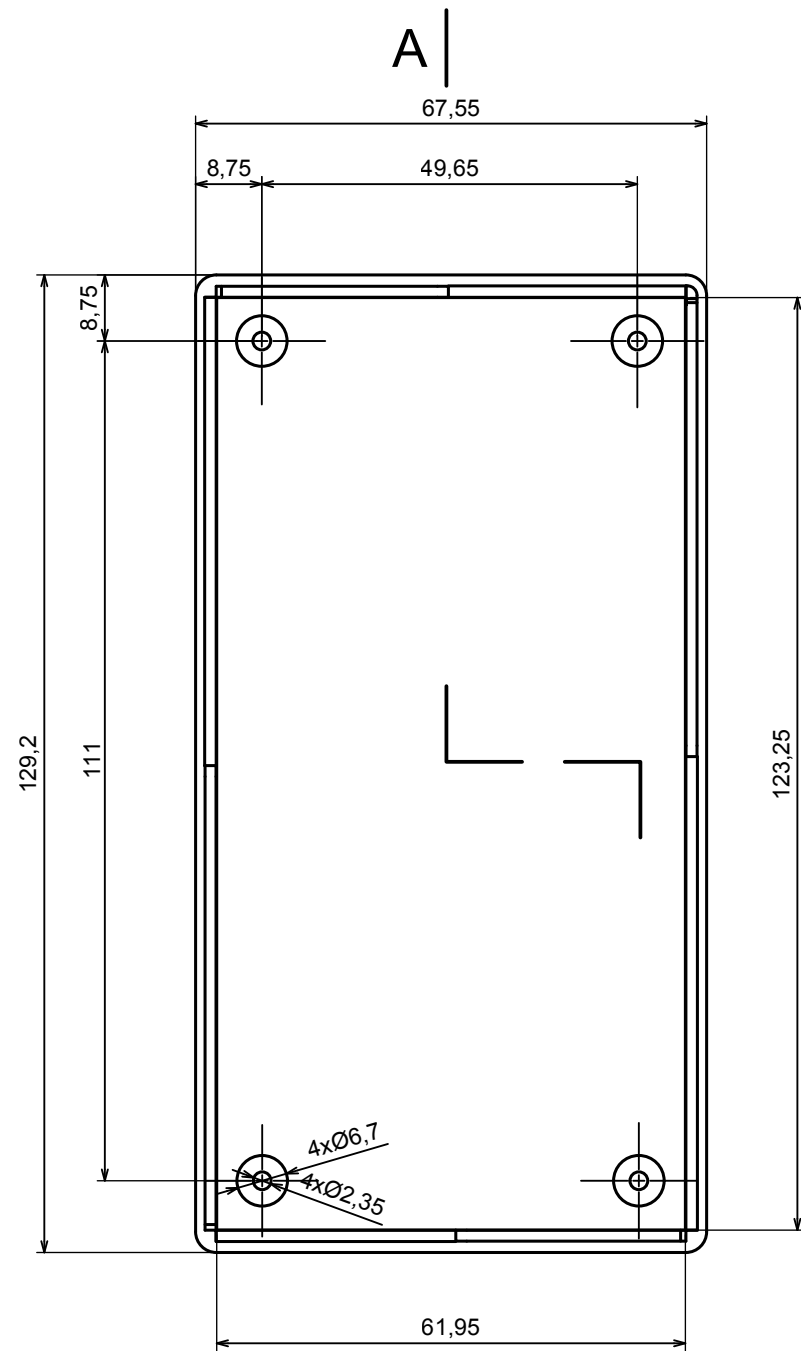
Scale 1:1 Tolerance: +/- 0.5





A |

All rights reserved, Copyright Kradex 2016		
Product model	Enclosure Z34A - base	
Format: A3	Material: PS, ABS	
Scale 1:1	Tolerance: +/- 0.5	



A |

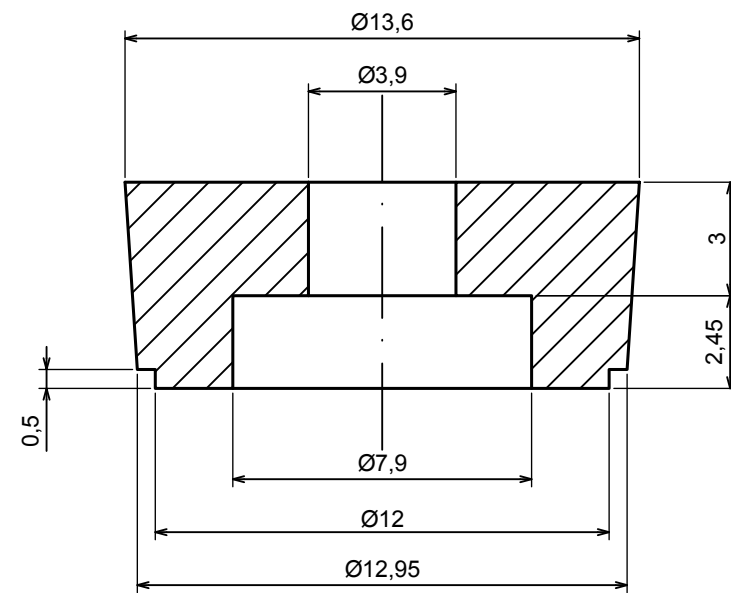
All rights reserved, Copyright Kradox 2016

Product model: Enclosure Z34A - cover

Format: A3 Material: PS, ABS

Scale 1:1 Tolerance: +/- 0.5





All rights reserved, Copyright Kradox 2016

Product model: Enclosure Z34A - feet

Format: A3 Material: PS, ABS

Scale 5:1 Tolerance: +/- 0.5

