
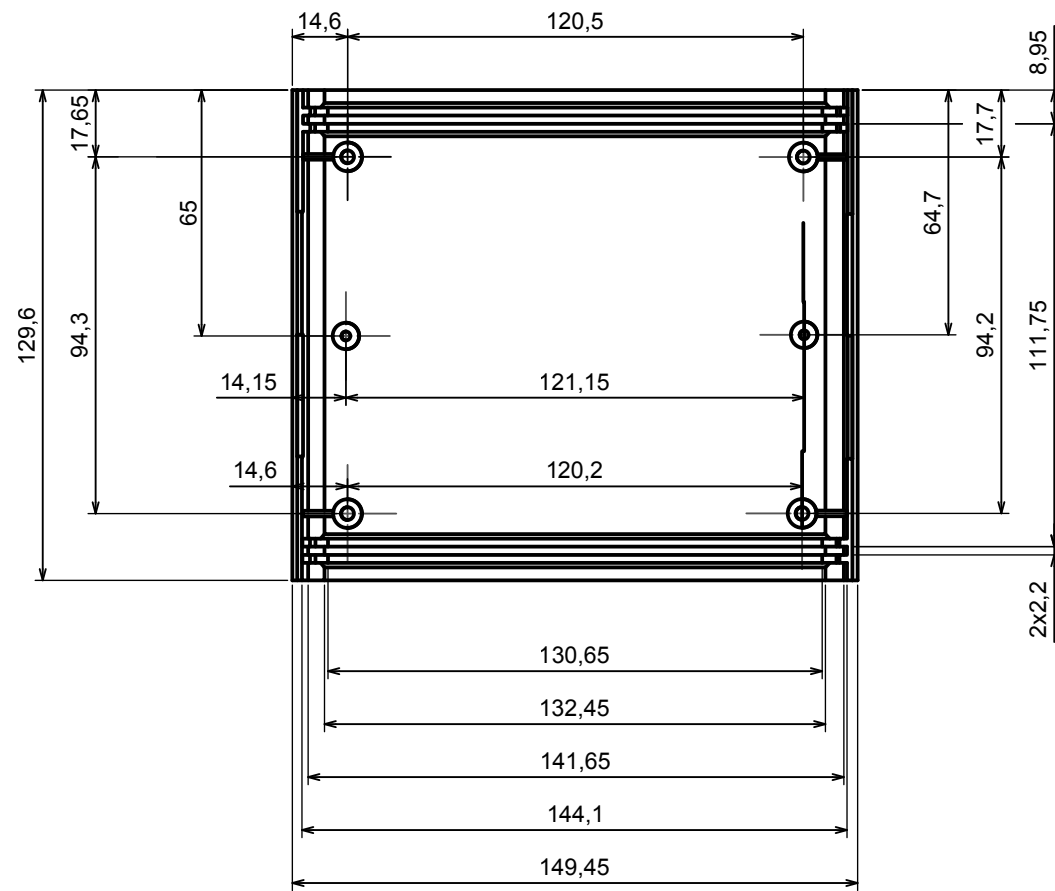


A |

All rights reserved, Copyright Kradex 2016		
Product model	Enclosure Z4 - assembly	
Format: A3	Material: PS, ABS	
Scale 1:2	Tolerance: +/- 0.8	

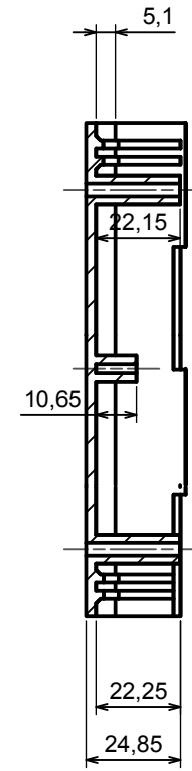


c |



c |

C-C



All rights reserved, Copyright Kradox 2016

Product model Enclosure Z4 - base

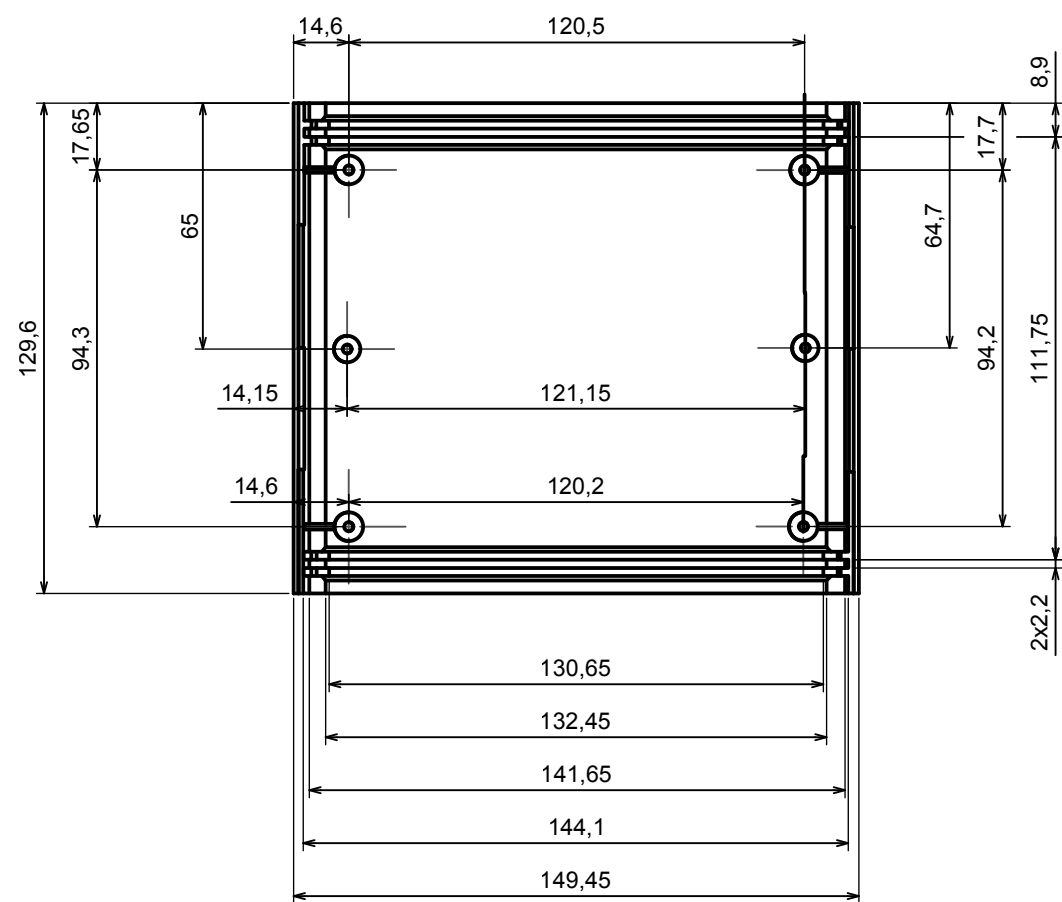
Format: A3 Material: PS, ABS

Scale 1:2 Tolerance: +/- 0.8



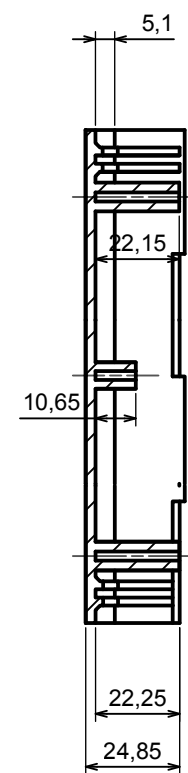


D |



| D

D-D



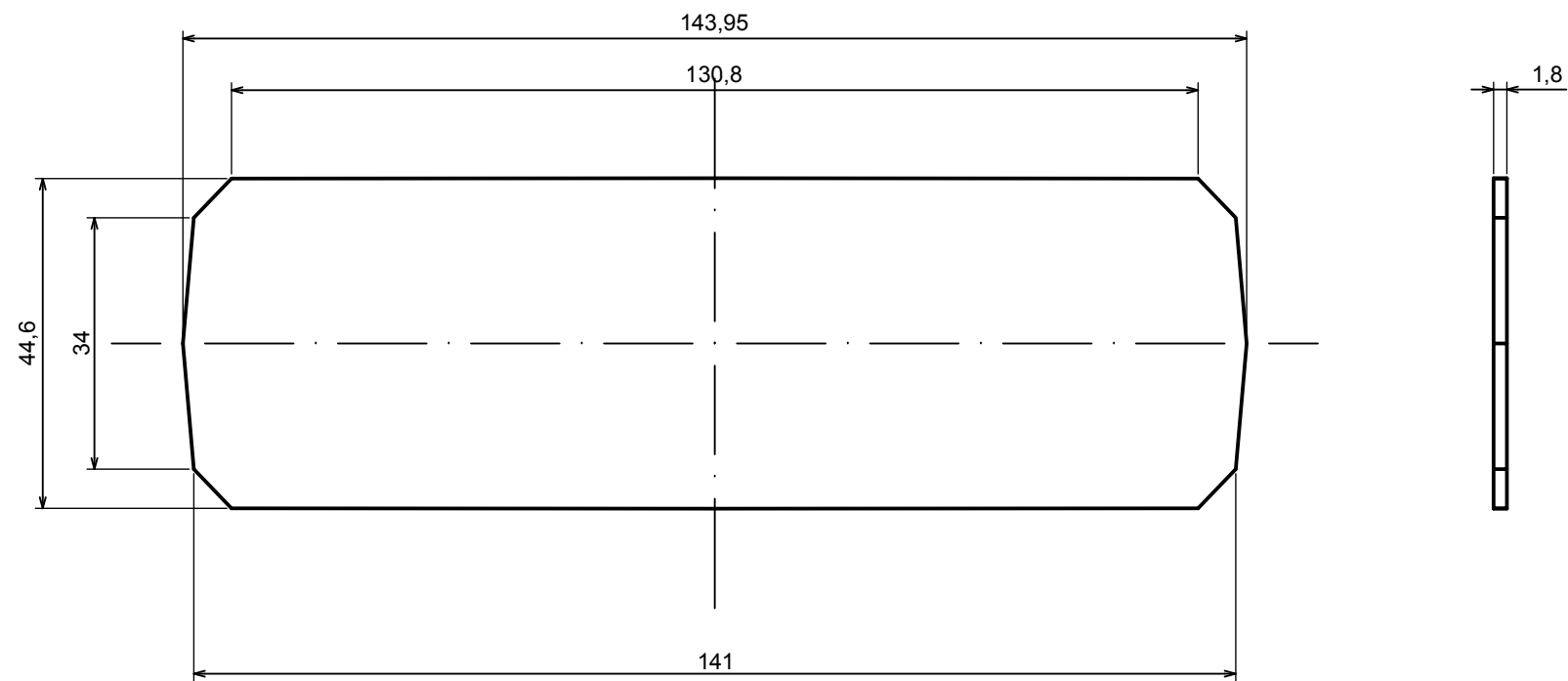
All rights reserved, Copyright Kradox 2016

Product model Enclosure Z4 - cover

Format: A3 Material: PS, ABS

Scale 1:2 Tolerance: +/- 0.8





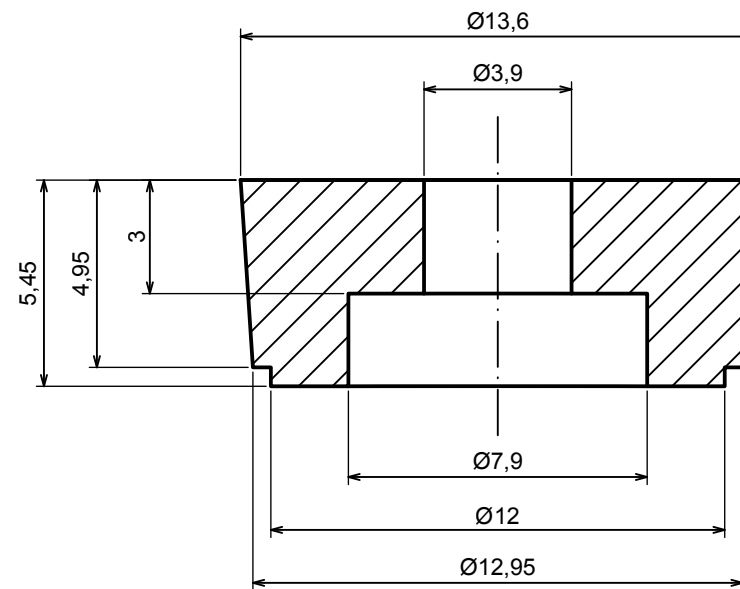
All rights reserved, Copyright Kradex 2016

Product model: Enclosure Z4 - board

Format: A3 Material: PS, ABS

Scale 1:1 Tolerance: +/- 0.8





All rights reserved, Copyright Kradex 2016

Product model Enclosure Z4 - foot

Format: A3 Material: PS, ABS

Scale 5:1 Tolerance: +/- 0.8

