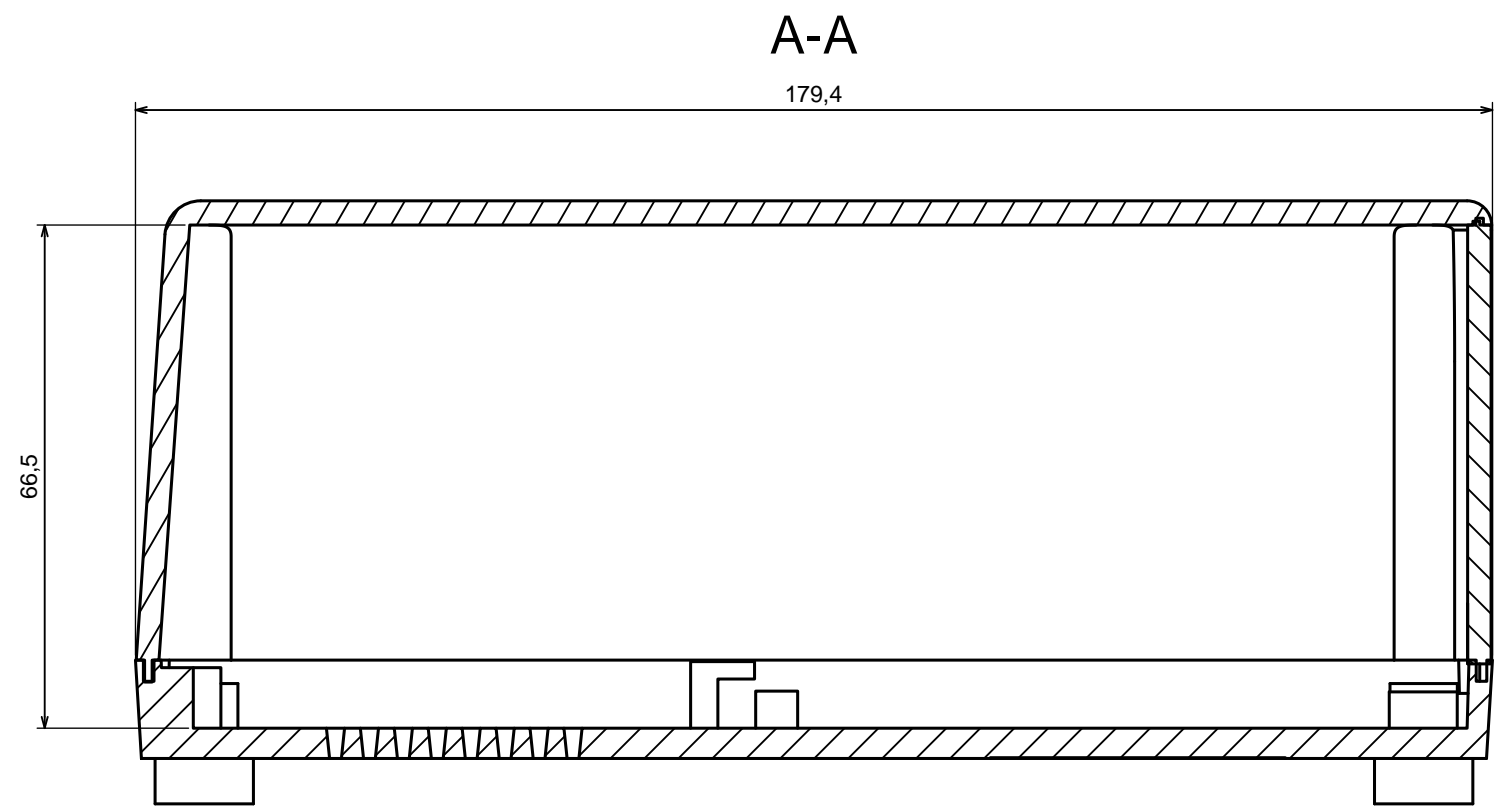

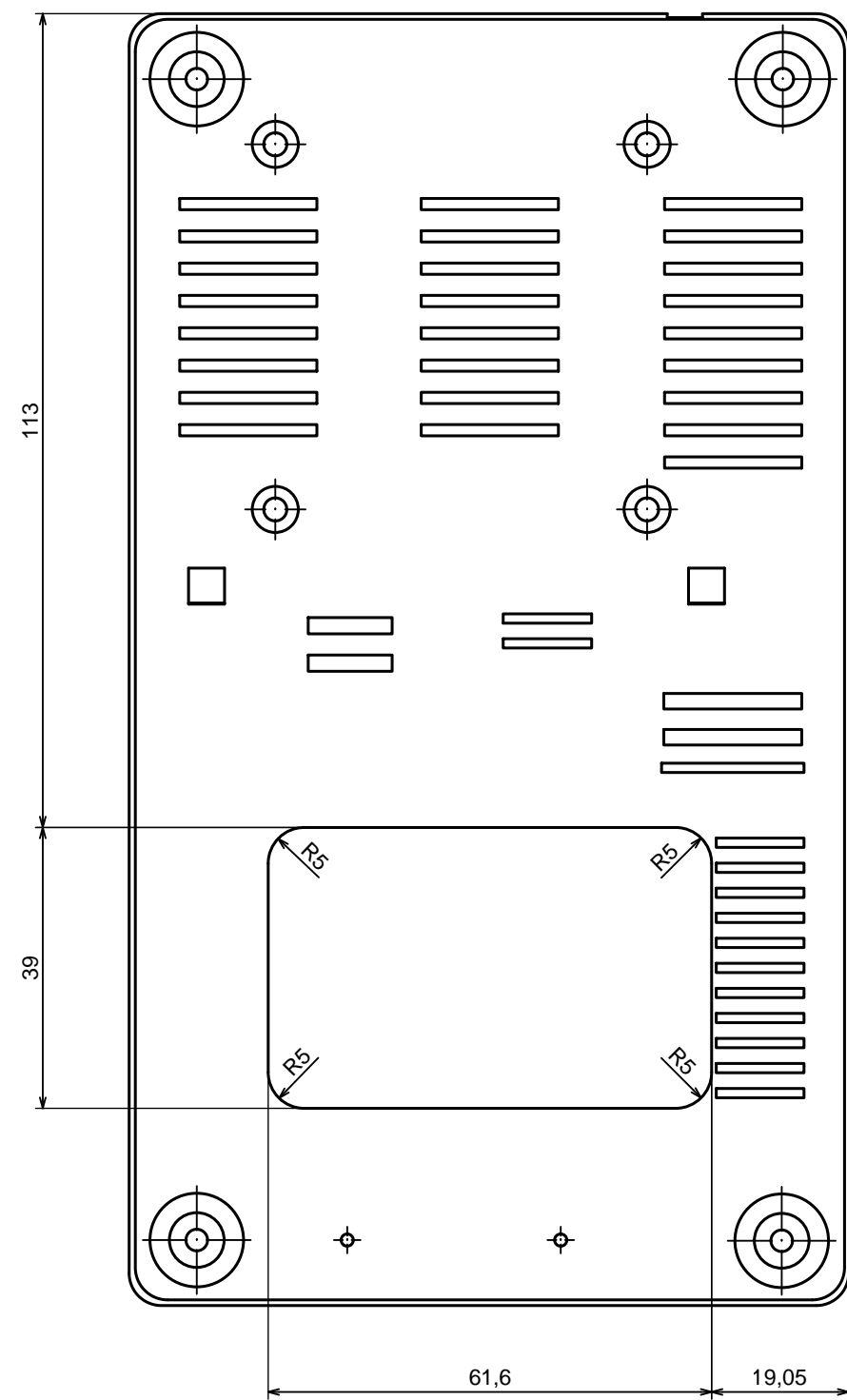
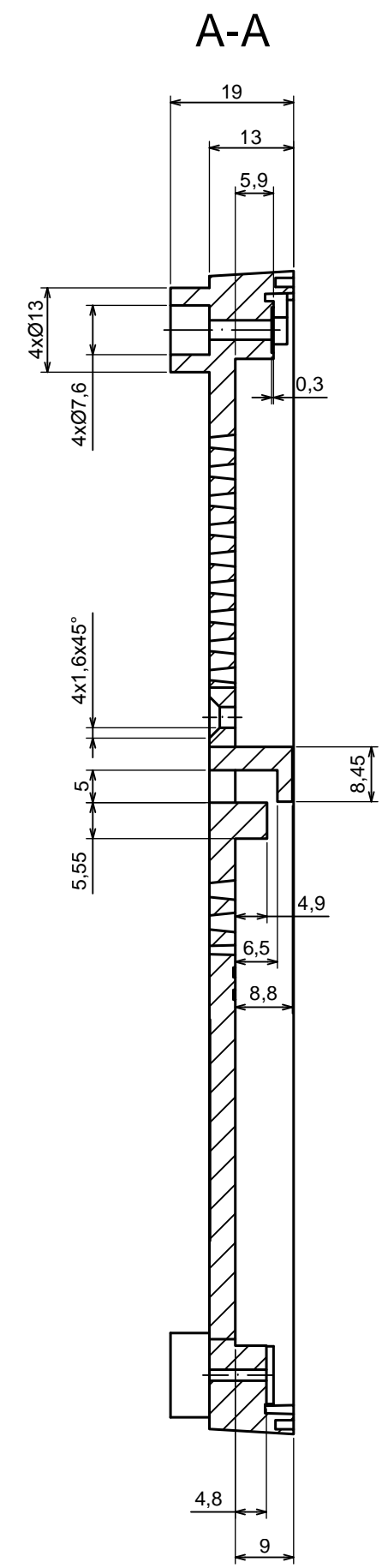
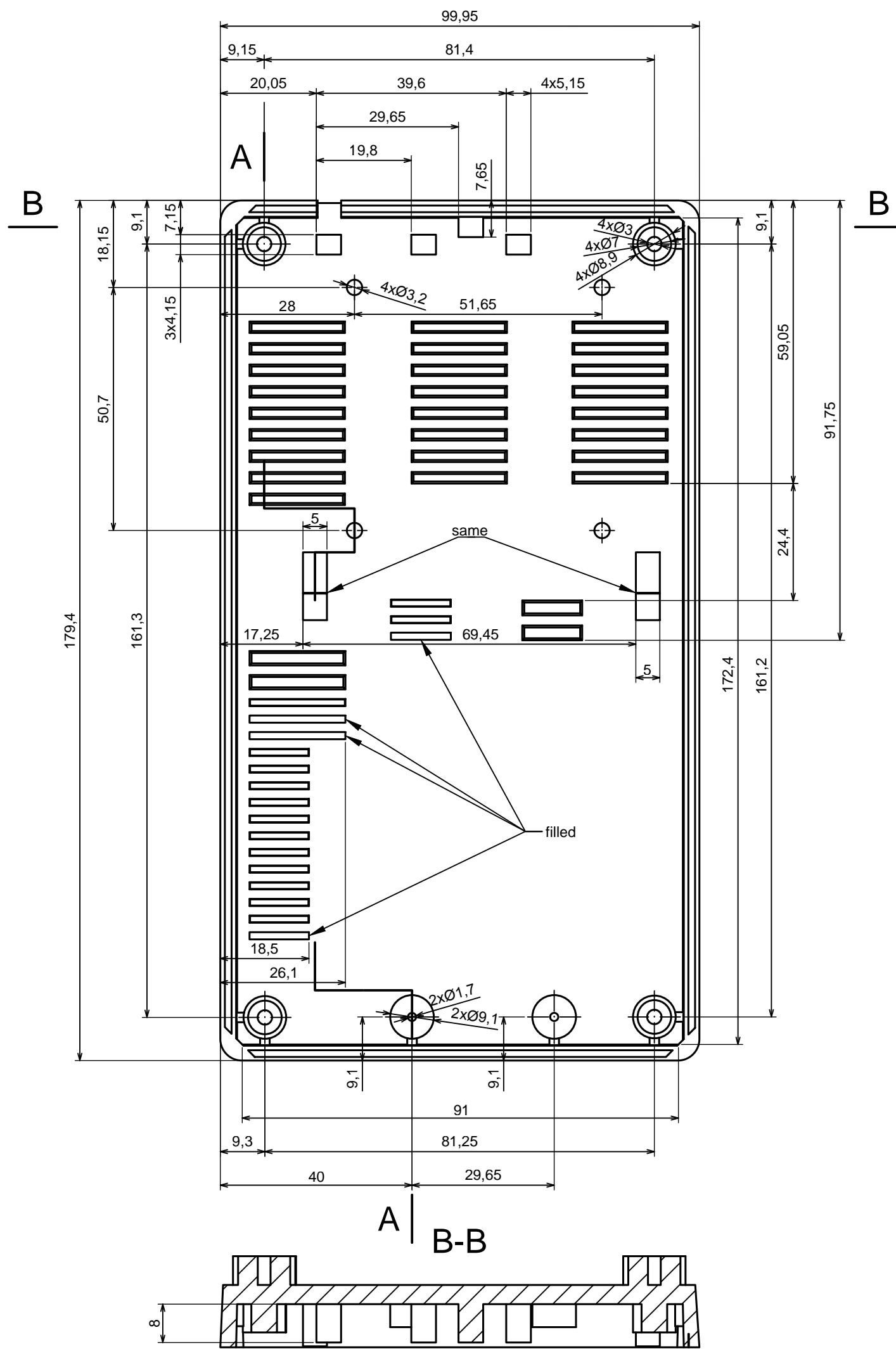


A |

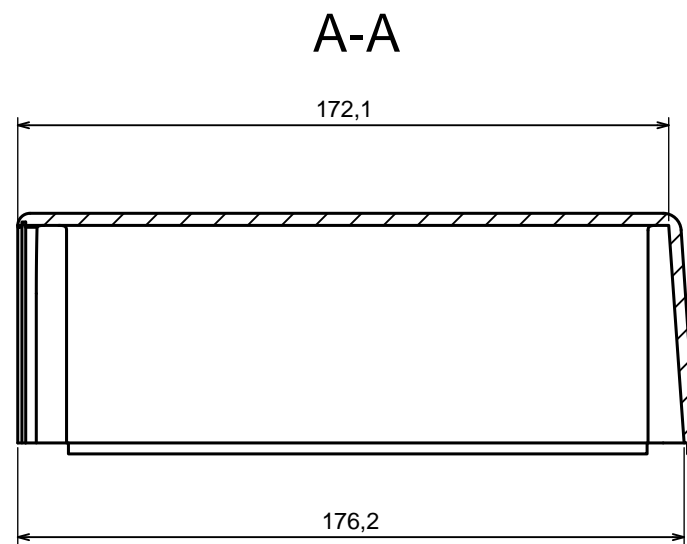
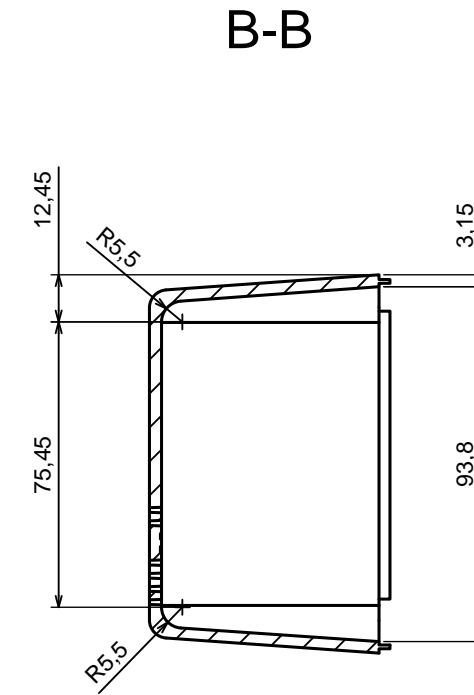
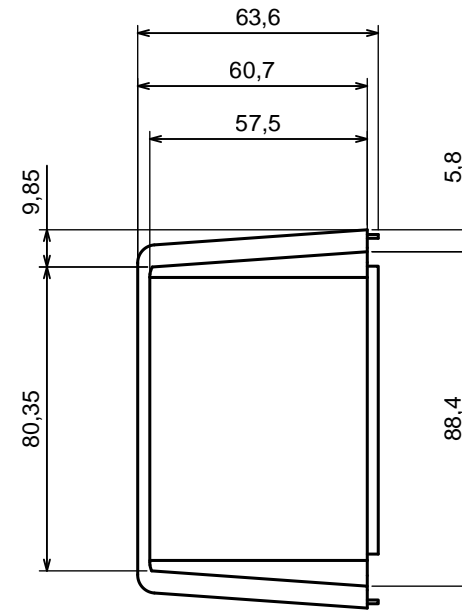
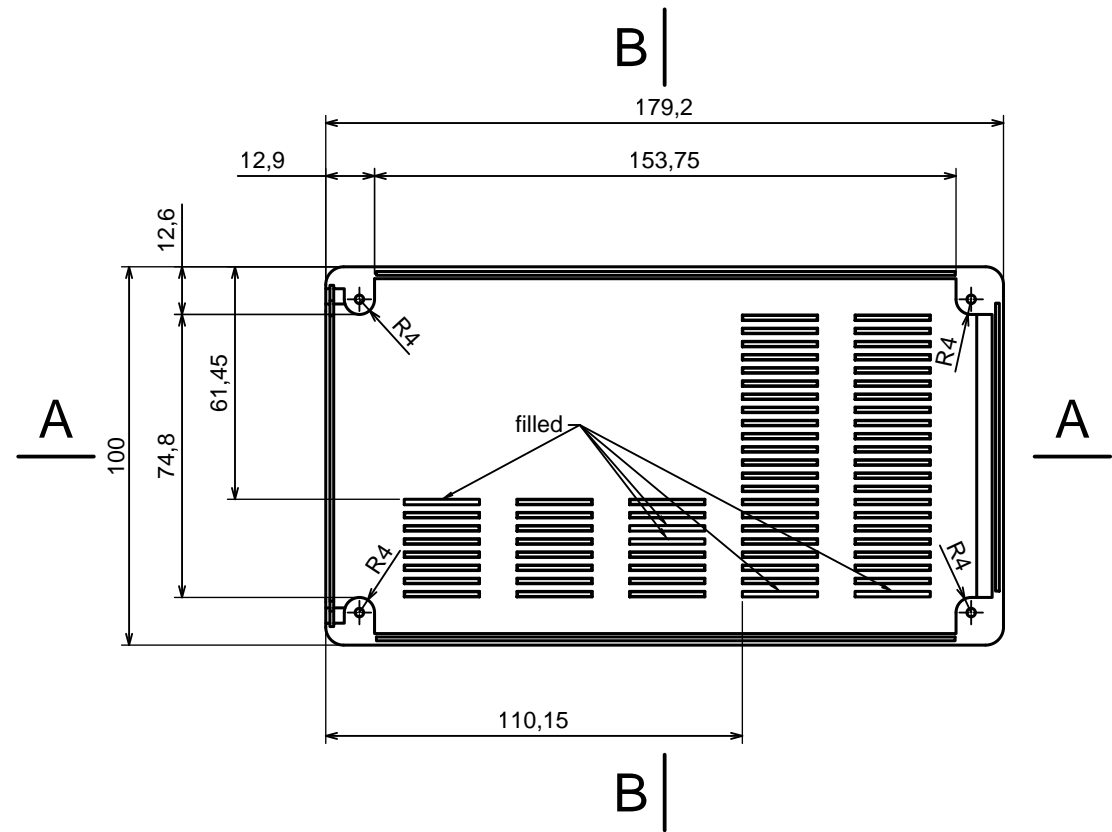


|  |                          |   |
|--|--------------------------|---|
| All rights reserved, Copyright Kradex 2016 |                          |   |
| Product model                              | Enclosure Z40 - assembly |   |
| Format: A3                                 | Material: PS, ABS        |  |
| Scale 1:1                                  | Tolerance: +/- 0.8       |   |



|  |                      |
|--|----------------------|
| All rights reserved, Copyright Kradox 2016 |                      |
| Product model                              | Enclosure Z40 - base |
| Format: A3                                 | Material: PS, ABS    |
| Scale 1:1                                  | Tolerance: +/- 0.8   |





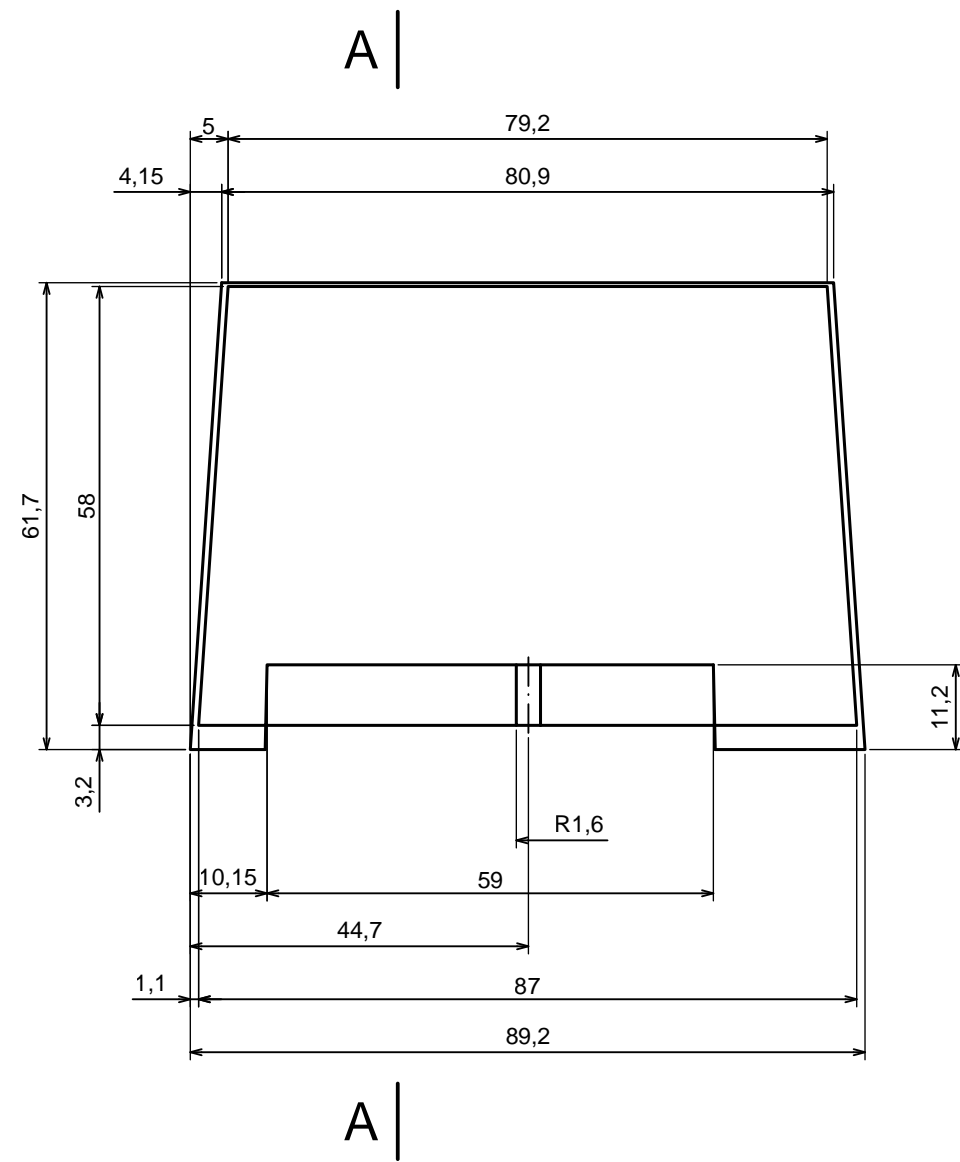
All rights reserved, Copyright Kradex 2016

Product model Enclosure Z40 - cover

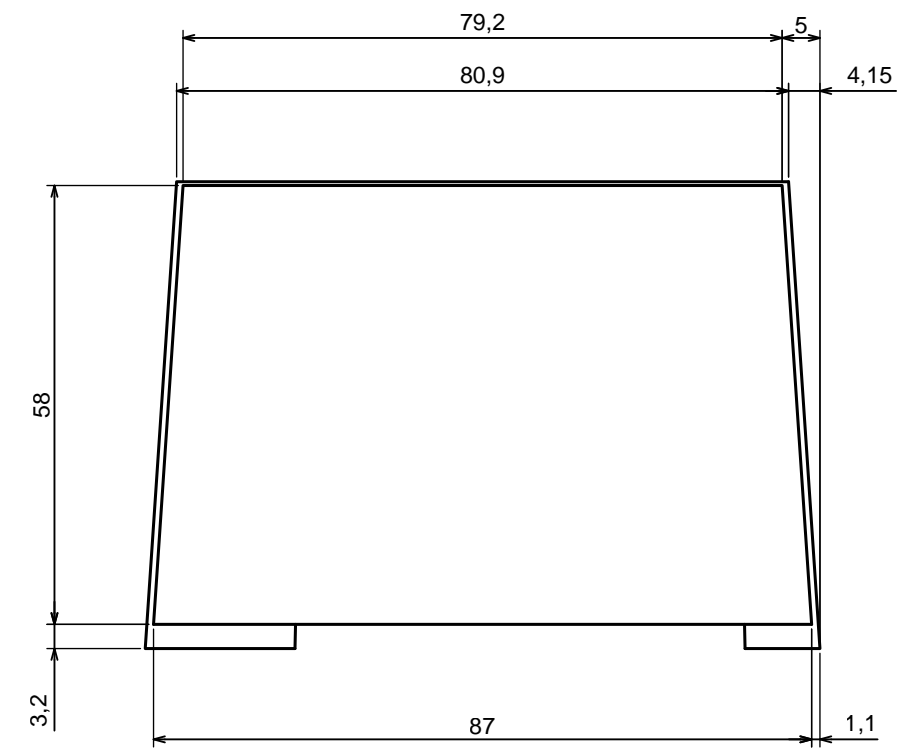
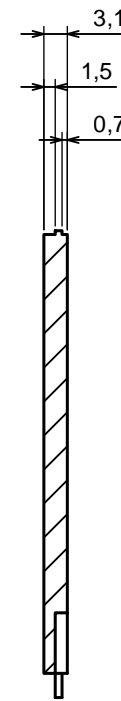
Format: A3 Material: PS, ABS

Scale 1:2 Tolerance: +/- 0.8





A-A



All rights reserved, Copyright Kradex 2016

Product model: Enclosure Z40 - board

Format: A3      Material: PS, ABS

Scale 1:1      Tolerance: +/- 0.5

