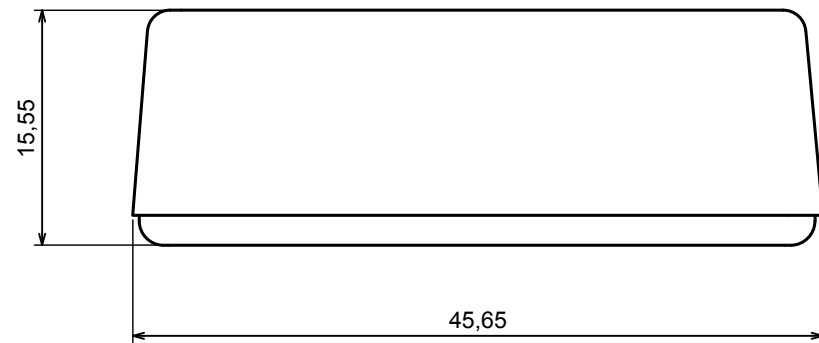
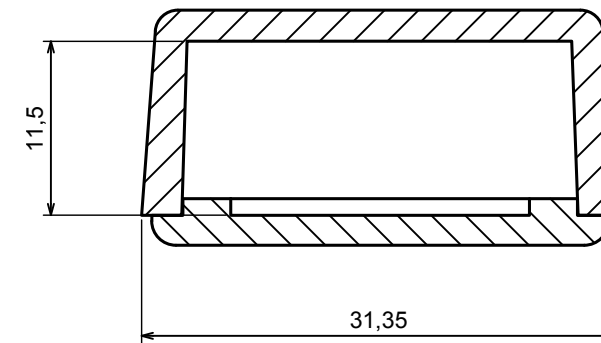


A |



A |

A-A



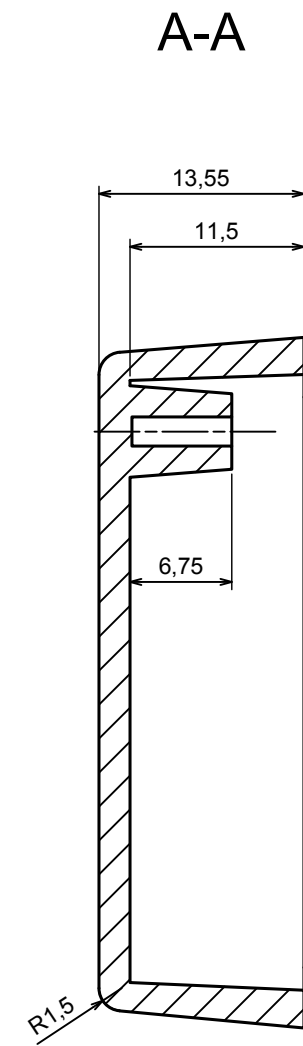
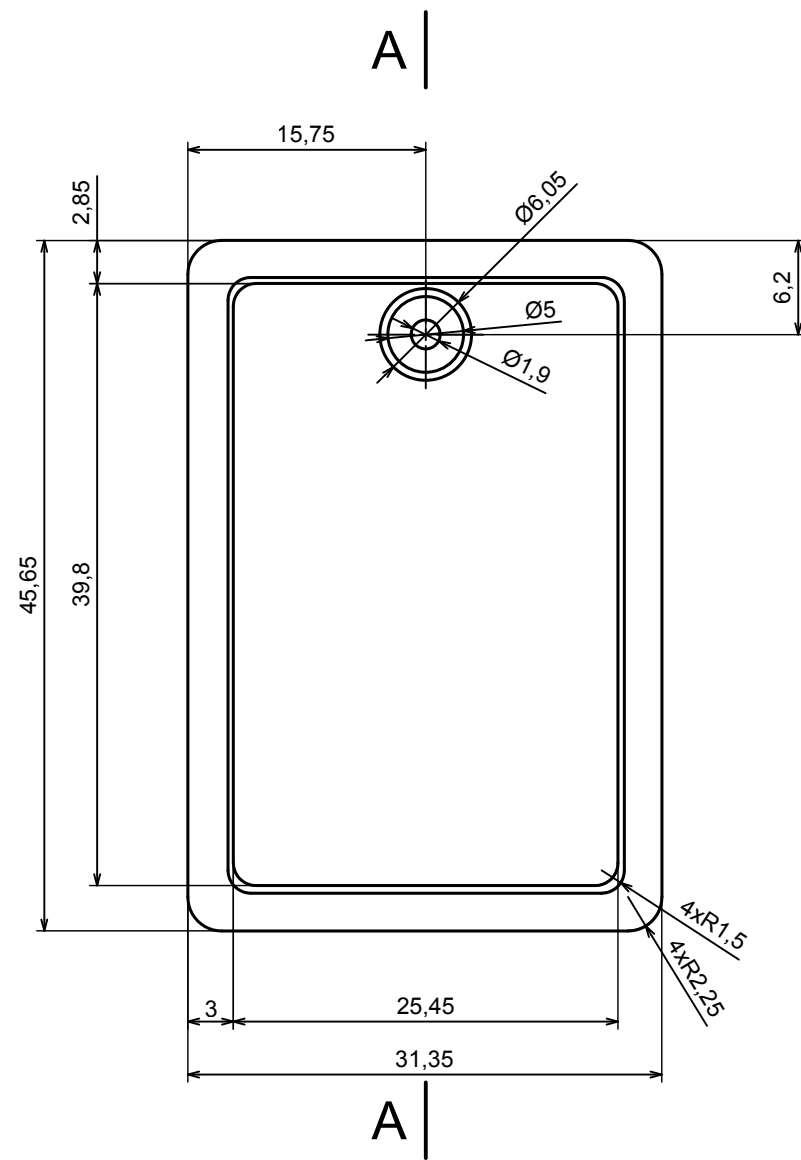
All rights reserved, Copyright Kradex 2017


Product model Enclosure Z43 - Assembly

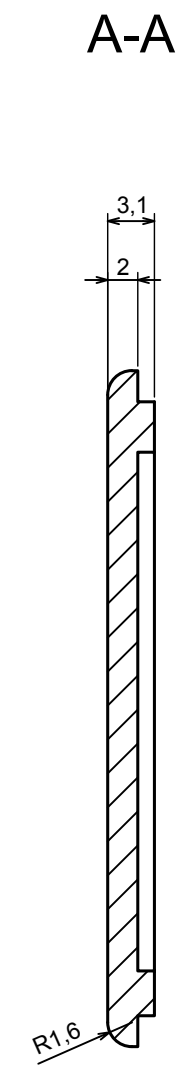
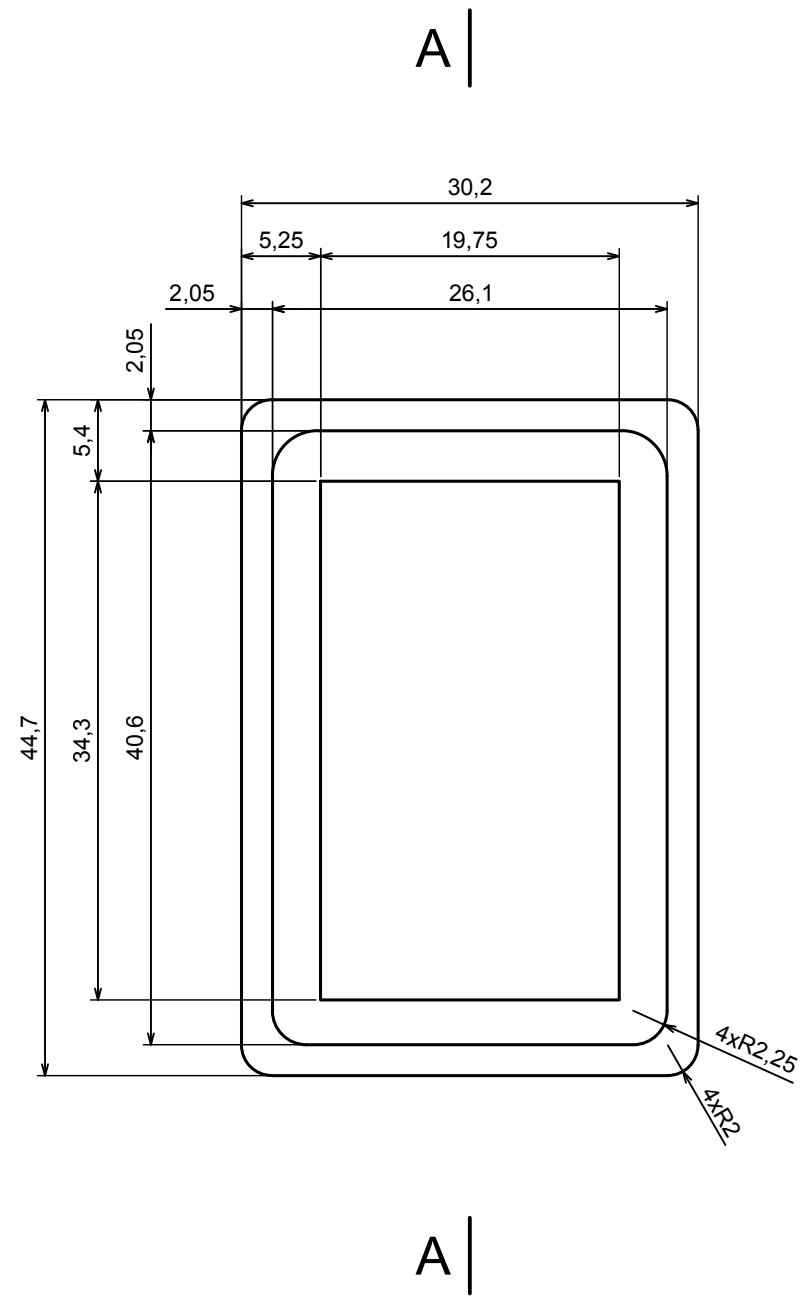
Format: A3 Material: PS, ABS

Scale 1:1 Tolerance: +/- 0.7





All rights reserved, Copyright Kradex 2017		
Product model	Enclosure Z43 - Base	
Format: A3	Material: PS, ABS	
Scale 2:1	Tolerance: +/- 0.7	



All rights reserved, Copyright Kradox 2017		
Product model	Enclosure Z43 - Cover	
Format: A3	Material: PS, ABS	
Scale 2:1	Tolerance: +/- 0.7	